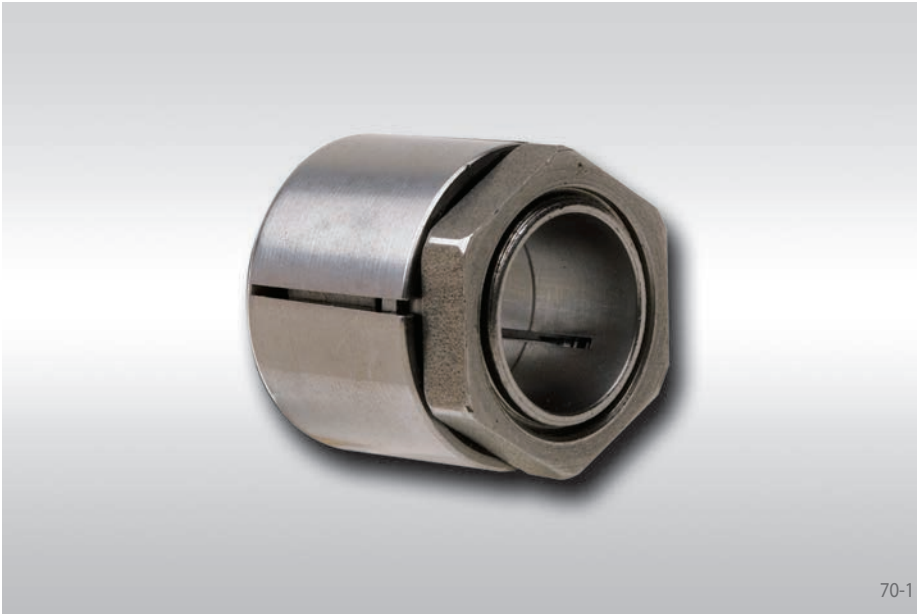
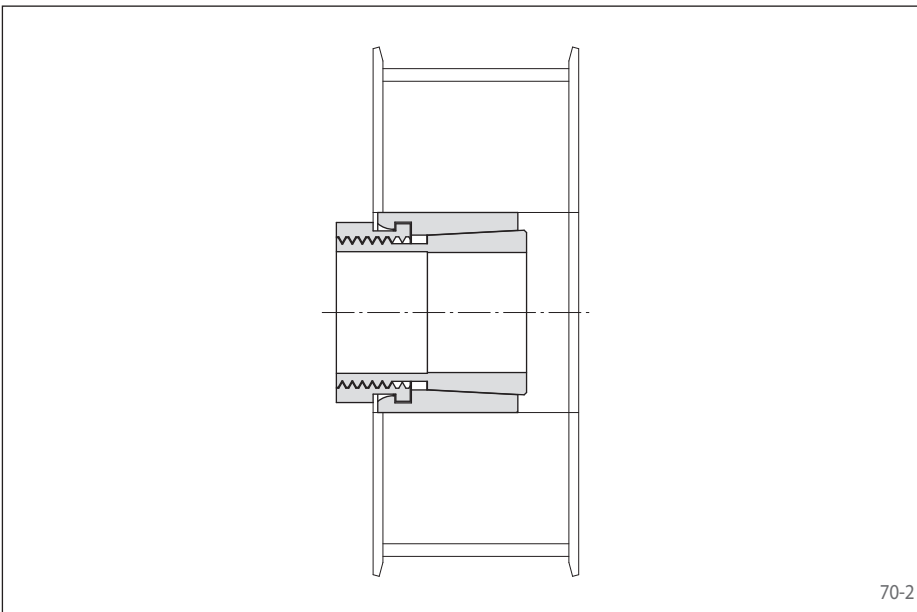


for small shaft diameters
excellent concentricity



Features

- For small shaft diameters between 17 mm and 35 mm
- Transmissible torque of 211 Nm up to 658 Nm
- Excellent concentricity and transmission of bending moments
- Radial flat height



Application example

Backlash free mounting of a belt pulley with a Cone Clamping Element Trantorque OE.

Transmissible torques and axial forces

The transmissible torques or axial forces listed on the following page are subject to the following tolerances, surface characteristics and material requirements. Please contact us in the case of deviations.

Tolerances

- for shaft diameter $d \pm 0,08$ mm
- for hub bore $D \pm 0,08$ mm

Surfaces

Average surface roughness at the contact surfaces between the shaft and the hub bore:
 $R_z = 10 \dots 25 \mu\text{m}$.

Materials

The following apply to the shaft and the hub:

- E-module $\geq 170 \text{ kN/mm}^2$

Installation

Please request our installation and operating instructions for Cone Clamping Elements Trantorque OE.

Simultaneous transmission of torque and axial force

The transmissible torques M which are shown in the tables apply for axial forces $F = 0$ kN and conversely, the indicated axial forces F apply to torques $M = 0$ Nm. If torque and axial force are to be transmitted simultaneously, the transmissible torque and the transmissible axial force are reduced. Please refer to the technical points on pages 72 and 73.

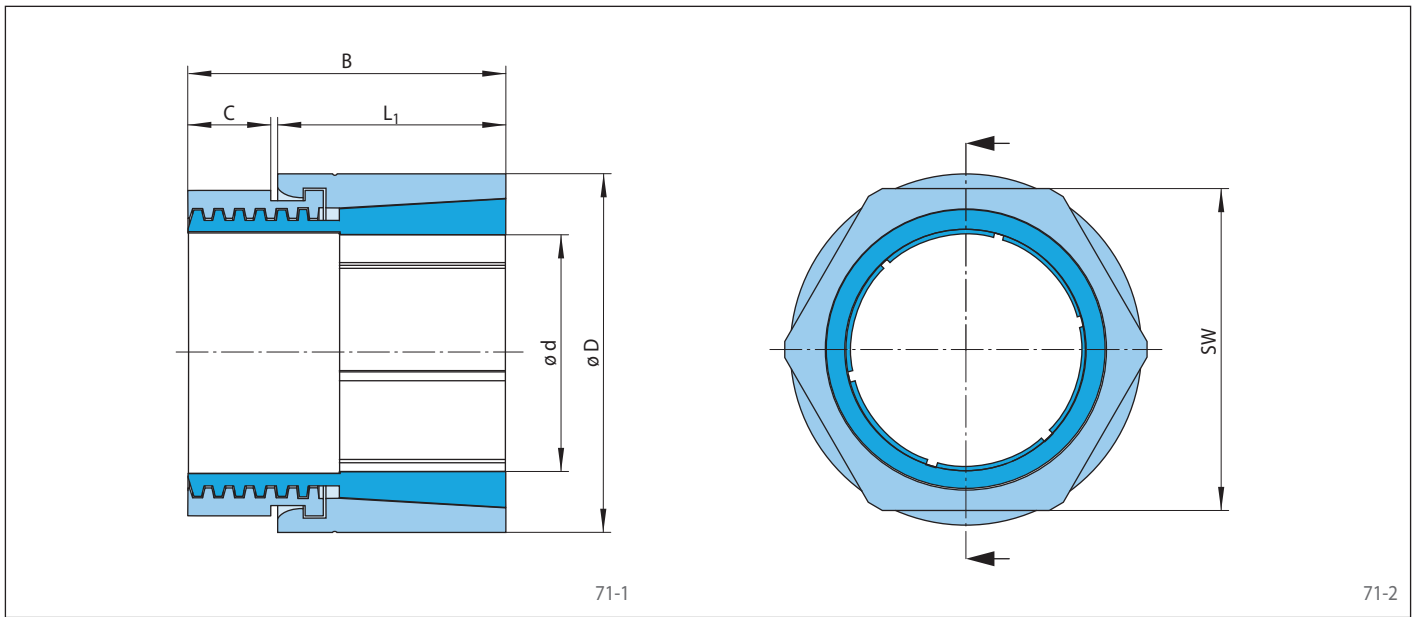
Example for ordering

Cone Clamping Element Trantorque OE for shaft diameter $d = 32$ mm:

- Trantorque OE, size 32 x 50

Article number 4202-032110-000000

for small shaft diameters
excellent concentricity



Dimensions						Technical Data						Article number
Size		B mm	C mm	L ₁ mm	SW mm	Max. transmissible torque or axial force		Tightening torque of clamping nut M _S Nm	Contact pressure at		Weight kg	
d mm	D mm					M Nm	F kN		Shaft P _W N/mm ²	Hub P _N N/mm ²		
17	32	29	6	22	30	211	25	110	257	137	0,1	4202-017110-000000
18	32	29	6	22	30	223	25	110	243	137	0,1	4202-018110-000000
19	32	29	6	22	30	236	25	110	230	137	0,1	4202-019110-000000
20	35	32	7	24	32	303	30	150	241	138	0,1	4202-020110-000000
22	35	32	7	24	32	333	30	150	219	138	0,1	4202-022110-000000
24	38	34	7	25	36	405	34	185	204	129	0,2	4202-024110-000000
25	38	34	7	25	36	422	34	185	196	129	0,2	4202-025110-000000
28	45	41	11	29	46	515	37	240	162	101	0,3	4202-028110-000000
30	45	41	11	29	46	551	37	240	151	101	0,3	4202-030110-000000
32	50	43	11	30	50	601	38	265	135	87	0,4	4202-032110-000000
35	50	43	11	30	50	658	38	265	124	87	0,3	4202-035110-000000