

Freewheels

Backstops • Overrunning Clutches • Indexing Freewheels



Edition 2025/2026



Table of Contents

Freewheel Technology Introduction							Page
Design and Function of Freewheels							4
Applications of Freewheels							5
Areas of Application for Freewheels							6
Categories of Freewheels							8
Freewheels with Sprags or Rollers							10
Types for Extended Service Life							12
Determination of Selection Torque							14
Freewheel Selection							15
Complete Freewheels							Page
	Backstops	Used as Overrunning Clutch	Indexing Freewheel	With bearing support	Nominal torques up to Nm	Bore up to mm	
for bolting to the face							
FB with sprags, available in four types	●	●	●	●	160 000	300	16
FKh with hydrodynamic sprag lift-off		●		●	14 000	95	18
with mounting flange							
FBF with sprags, available in four types	●	●	●	●	160 000	300	20
FGR ... R A1A2 with rollers	●	●	●	●	68 000	150	22
FGR ... R A2A7 with rollers	●	●	●	●	68 000	150	24
for keyway connection on the outer ring							
BM with rollers or with sprag lift-off X	●	●	●	●	57 500	150	26
FGRN ... R A5A6 with rollers	●	●	●	●	6 800	80	28
with lever arm							
BA with rollers or with sprag lift-off X	●			●	57 500	150	30
BC with rollers or with sprag lift-off X	●			●	57 500	150	32
FGR ... R A3A4 with rollers	●			●	68 000	150	34
FGR ... R A2A3 with rollers	●			●	68 000	150	36
FA with sprags and grease lubrication	●		●	●	2 500	85	38
FAV with rollers and grease lubrication	●		●	●	2 500	80	40
with shaft coupling							
FBE for small shaft misalignments, with sprags		●		●	160 000	300	42
FBL for large shaft misalignments, with sprags		●		●	8 000	140	44
Low Speed Backstops							Page
	Backstops	Used as Overrunning Clutch	Indexing Freewheel	With bearing support	Nominal torques up to Nm	Bore up to mm	
with lever arm							
FRHD in inch dimension, with sprags	●			●	1 215 000	533	46
FRHN in metric dimensions with sprags	●			●	503 550	320	48
FRSC with rollers	●			●	215 500	300	50
Housing Freewheels							Page
	Backstops	Used as Overrunning Clutch	Indexing Freewheel	With bearing support	Nominal torques up to Nm	Shaft up to mm	
for stationary arrangement							
FH with hydrodynamic roller lift-off		●		●	81 350	178	52
Basic Freewheels							Page
	Backstops	Used as Overrunning Clutch	Indexing Freewheel	With bearing support	Nominal torques up to Nm	Bore up to mm	
for assembly with connecting parts							
FGR ... R with rollers	●	●	●	●	68 000	150	56

Integrated Freewheels	Backstops	Used as Overrunning Clutch	Indexing Freewheel	With bearing support	Nominal torques up to Nm	Bore up to mm	Page
for bolting to the face							
FXM with sprag lift-off X	●	●			1 230 000	500	58
FON with sprags, available in three types	●	●	●		25 000	155	64
for bolting to the face, with torque limiting							
FXRW with sprag lift-off X	●				107 000	240	66
FXRU with sprag lift-off X and with release function	●				90 000	230	66
Internal Freewheels	Backstops	Used as Overrunning Clutch	Indexing Freewheel	With bearing support	Nominal torques up to Nm	Bore up to mm	Page
for press fit on the outer ring							
FXN with sprag lift-off X	●	●			20 500	130	70
FCN ... R with rollers	●	●	●		840	80	74
FDN with sprags	●	●	●	◐	2 400	80	76
FD with sprags	●	●	●	◐	2 400	105	78
FZ with sprags and bearing support	●	●	●	◑	420	40	80
FZ ... 2RS with sprags, bearing support and seals	●	●	●	◑	420	40	82
FZ ... P2RS with sprags, bearing support and seals	●	●	●	◑	420	40	83
FZ ... P with sprags and bearing support	●	●	●	◑	420	40	84
for keyway connection on the outer ring							
FZ ... PP with sprags and bearing support	●	●	●	◑	420	40	85
FSN with rollers	●	●	●		3 000	80	86
FN with rollers	●	●	●		3 000	60	88
FNR with rollers and bearing support	●	●	●	◑	3 000	60	90
Cage Freewheels	Backstops	Used as Overrunning Clutch	Indexing Freewheel	With bearing support	Nominal torques up to Nm		Page
for assembly with inner and outer ring							
SF with sprags, available in three types	●	●	●		93 000		92
SF ... P for high run out (T.I.R.), with sprags	●	●	●		5 800		94
Irreversible Locks	Backstops	Used as Overrunning Clutch	Indexing Freewheel	With bearing support	Nominal torques up to Nm	Bore up to mm	Page
bidirectional acting backstop for assembly with connecting parts							
Irreversible lock IR with rollers	●			◐	100	35	96
Freewheel technology details							Page
Application Examples and Special Freewheel Designs							98
Technical Points							102
Questionnaires							Page
for selecting RINGSPANN Backstops							106
for selecting RINGSPANN Overrunning Clutches							107
for selecting RINGSPANN Indexing Freewheels							108
for selecting RINGSPANN Housing Freewheels							109

The maximum transmissible torques are 2 times the specified nominal torques.
Issue 02/2025 • Technical details subject to change without notice.

Freewheels are machine elements with particular characteristics:

- In one direction of rotation there is no contact between the inner and outer ring; the freewheel is in freewheeling operation.
- In the other direction of rotation there is contact between the inner and outer ring; in this direction it is possible to transmit high torque.

For example the outer ring of the freewheel shown in figure 4-1 can freewheel clockwise while the inner ring is stationary. If, however, the outer ring is turned in the opposite direction, there is contact between the inner and outer ring and the inner ring is driven (driving operation).

Freewheels are used as:

- ▶ Backstops
- ▶ Overrunning Clutches
- ▶ Indexing Freewheels

Freewheels can fulfil these functions completely automatically in the most diverse machines. No mechanical or hydraulic operating equipment is required, as for example with external actuated clutches or brakes.

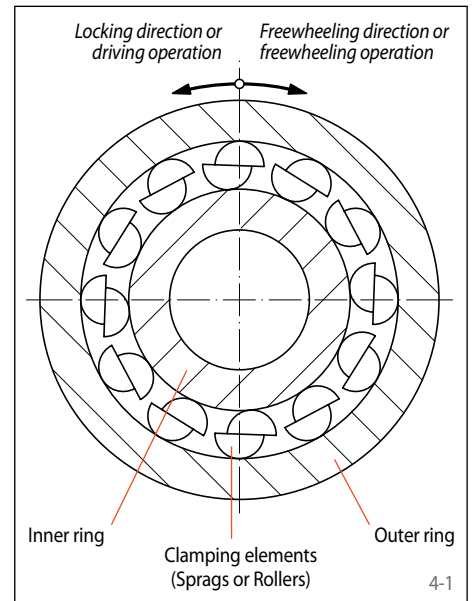
Freewheels consist of an inner and an outer ring between which clamping elements are arranged. Clamping elements can be sprags or rollers. We differentiate as follows:

- Freewheels with bearing support and
- Freewheels without bearing support.

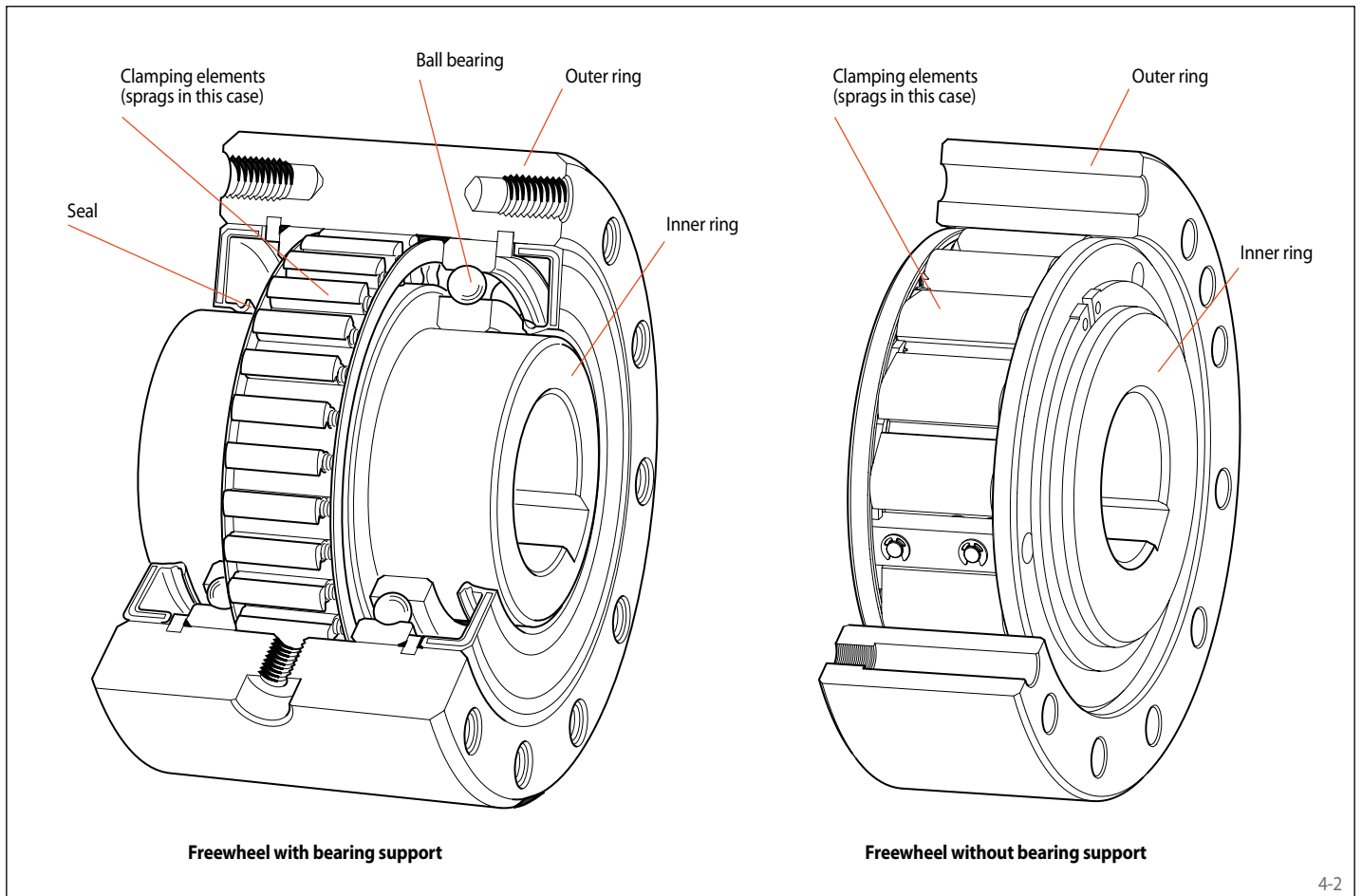
For a freewheel to function, the concentric alignment of the inner and outer ring is required. In the case of freewheels without bearing support, concentric alignment like this must be provided by the customer.

RINGSPANN freewheels are an indispensable design element in the machine building industry as well as in the aerospace industry. Many designs are only economical if freewheels are used. The freewheel as an automatic driving element is preferred to conventional solutions because it offers the following significant advantages:

- operating safety,
- efficiency and
- a higher degree of automation.

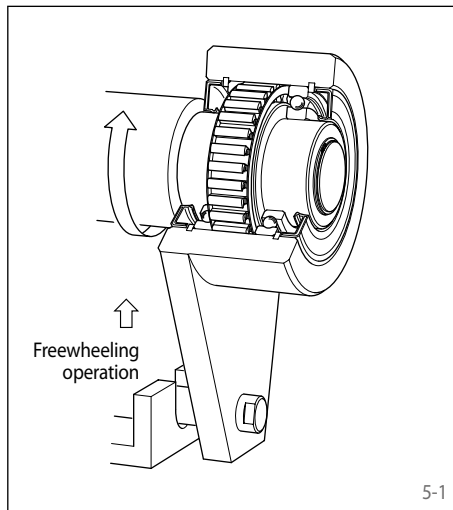


With more than 50 years experience in the development, production and sales of freewheels, RINGSPANN offers the most comprehensive range of freewheels. A global network of subsidiaries and sales agencies ensures the best possible personal on-site service. Assembly and production facilities in various countries provide fast, reliable delivery.

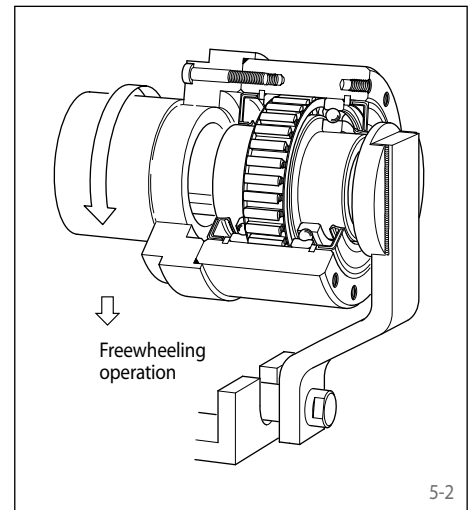


Backstop

Freewheels are used as backstops if reverse rotation of the operating direction is to be prevented. In many machines and installations, for technical safety or functional reasons, it is necessary to ensure that you are working in just one specified direction of rotation. This is why there are legal stipulations requiring a mechanical safety device for the operation of, e.g. conveyor systems. The normal operating mode of a backstop is freewheeling operation; the locking (torque transmission) is performed at zero speed. The immediate engagement of the clamping elements ensures the required high operating safety.



In general, backstops are used where the inner ring freewheels and the stationary held outer ring prevents reverse rotation (figure 5-1).



The more complicated designed backstops where the outer ring freewheels and the stationary held inner ring prevents reverse rotation are rarely used today (figure 5-2).

Overrunning Clutch

The overrunning clutch engages machines or machine parts and automatically interrupts their contact as soon as the driven part of the overrunning clutch is turned faster than the driving part. In many cases, this can replace a more expensive externally actuated clutch.

With overrunning clutches the engagement takes place in the driving operation (torque transmission), while in freewheeling operation the torque transmission between the inner and outer ring is interrupted. In driving operation the speeds of the inner and outer ring are equal, while in freewheeling operation they are different.

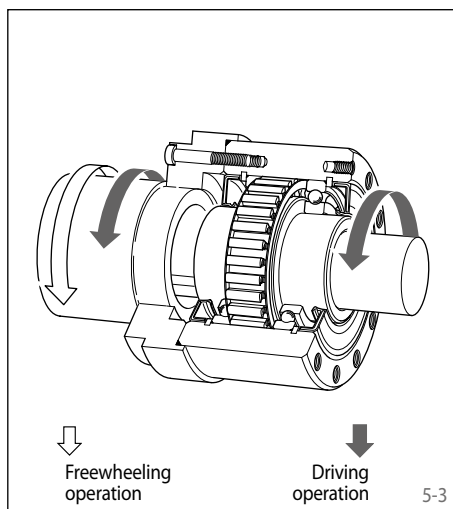


Figure 5-3 shows an overrunning clutch where in driving operation the power flow is transferred from the inner ring to the outer ring and in freewheeling operation the outer ring overruns the inner ring at a higher speed.

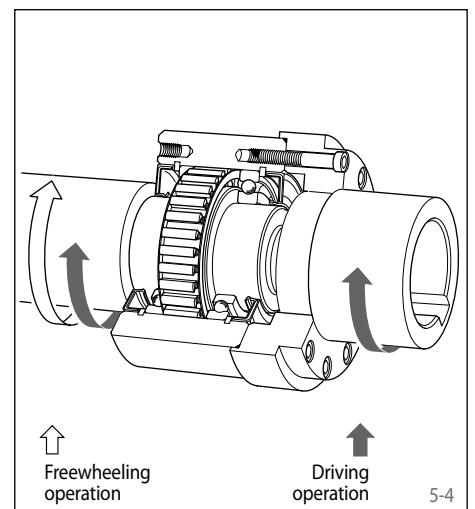


Figure 5-4 shows an overrunning clutch where in driving operation the power flow is transferred from the outer ring to the inner ring and in freewheeling operation the inner ring overruns the outer ring at a higher speed.

Indexing Freewheel

The indexing freewheel transmits a back and forth motion into a stepped rotation (indexed feed). The RINGSPANN indexing freewheel works precisely and quietly and enables an infinitely adjustable setting of the feed.

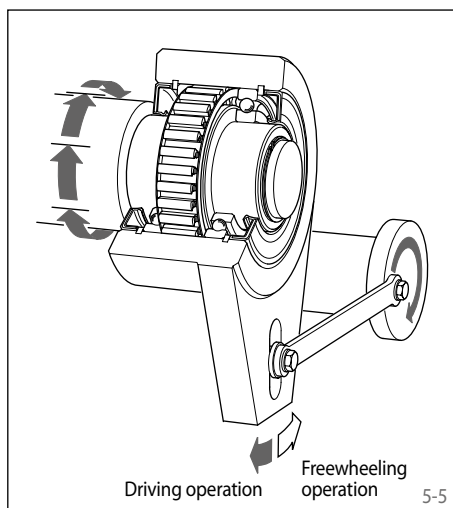


Figure 5-5 shows an indexing freewheel where the outer ring makes the back and forth motion and the inner ring carries out the indexed feed.

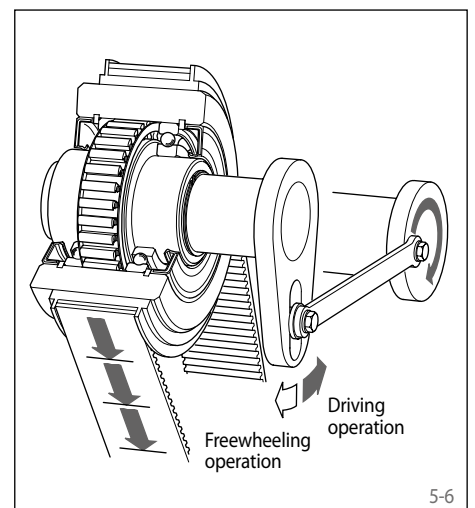
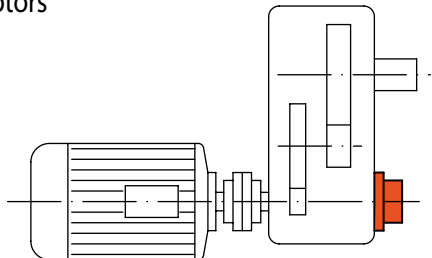


Figure 5-6 shows an indexing freewheel where the inner ring makes the back and forth motion and the outer ring carries out the indexed feed.

Areas of Application for Freewheels

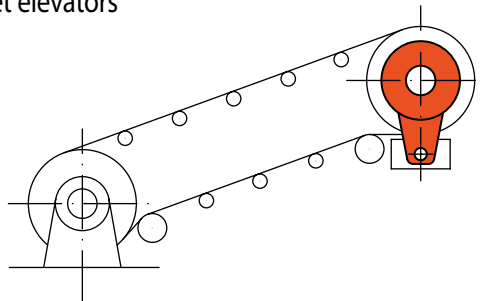
► Areas of application for Backstops

Gear units
Electric motors
Gear motors



The backstop prevents reverse rotation in a drive of a conveyor installation if the power fails or the motor is turned off.

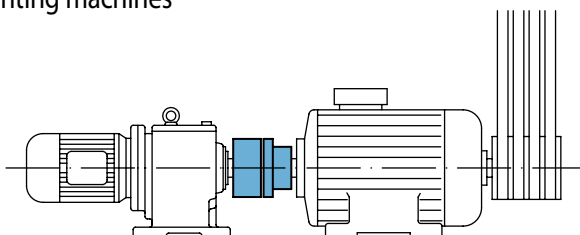
Inclined conveyors
Elevators
Bucket elevators



The backstop prevents reverse rotation of the conveyor load if the power fails or the motor is turned off.

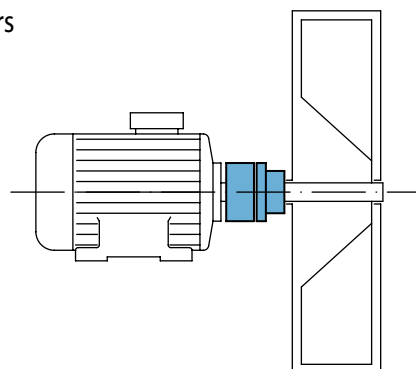
► Areas of application for Overrunning Clutches

Textile machines
Printing machines



During normal operation of textile or printing machines, the overrunning clutch separates the barring drive which is used for set up from the main drive.

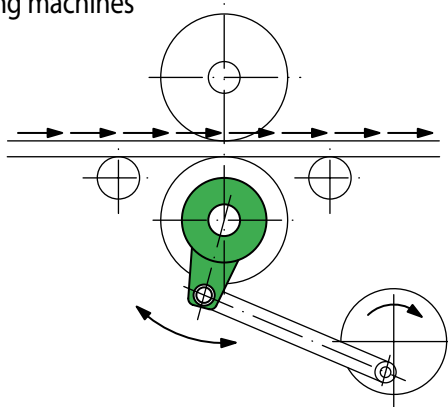
Fans
Ventilators



If fans or ventilators are turned off, the overrunning clutch prevents the flywheel mass from rotating the drive.

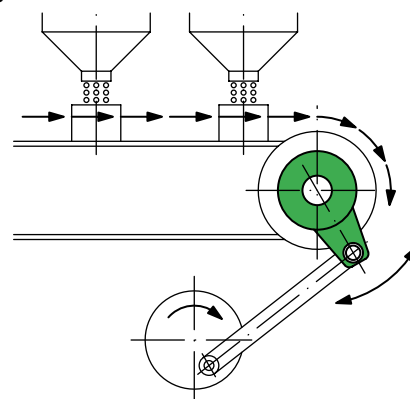
► Areas of application for Indexing Freewheels

Textile machines
Printing machines



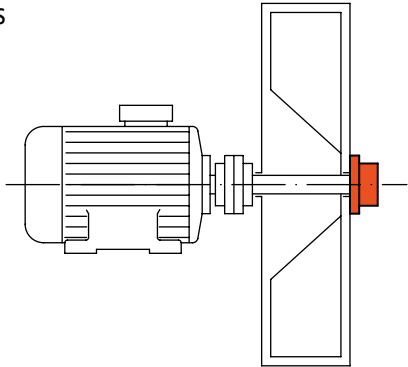
The indexing freewheel generates an indexed feed in textile and printing machines.

Packaging machines
Filling plants



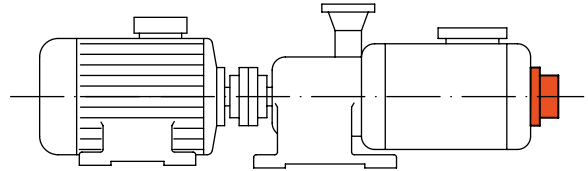
The indexing freewheel is used in packaging machines and filling plants for an indexed feed.

Fans
Ventilators



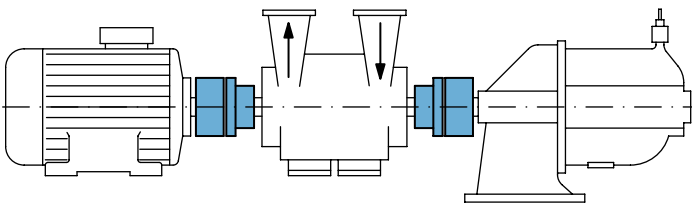
The backstop prevents reverse rotation under the back pressure of the conveyed medium if the motor is turned off.

Pumps
Compressors



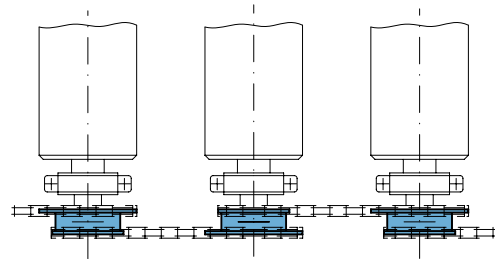
The backstop prevents reverse rotation under the back pressure of the conveyed medium if the motor is turned off.

Pumps
Generators



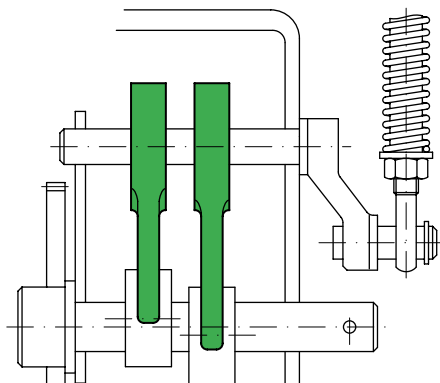
In multi-motor drives the overrunning clutch disengages the inactive or lower speed drive.

Roller conveyor



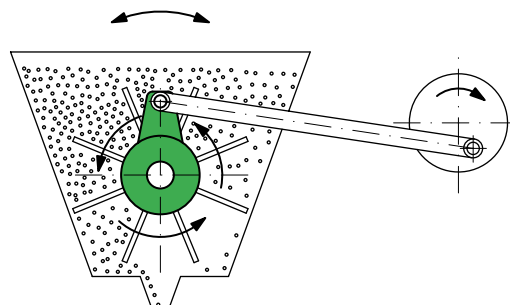
The overrunning clutch ensures that the conveyed material can be pushed or pulled faster over the rollers than the speed of the drive.

High voltage switches



In high voltage switches for tensioning a spring, the indexing free-wheel is used in the place of a reduction gear.

Seed spreader

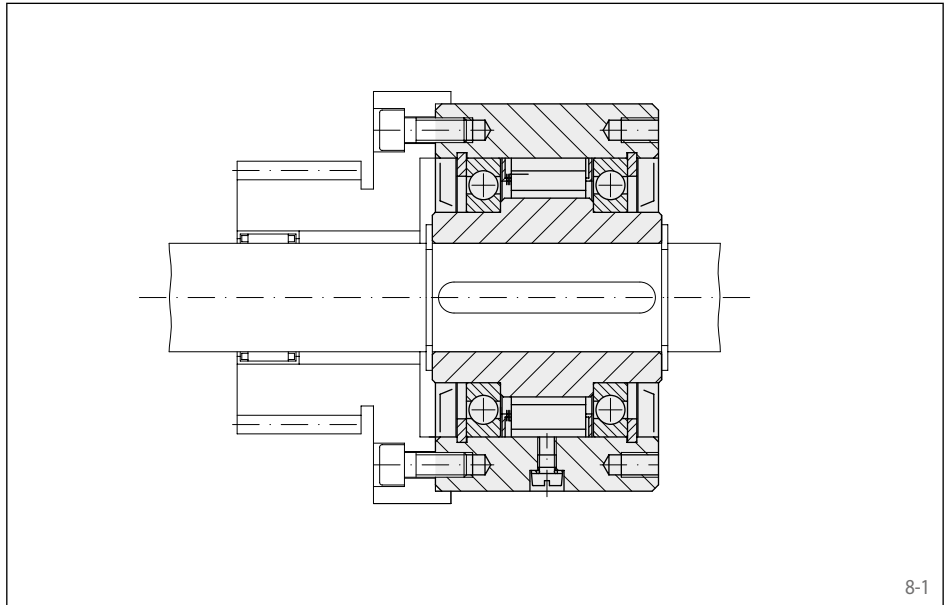


The indexing freewheel replaces a reduction gear in seed spreader.

Categories of Freewheels

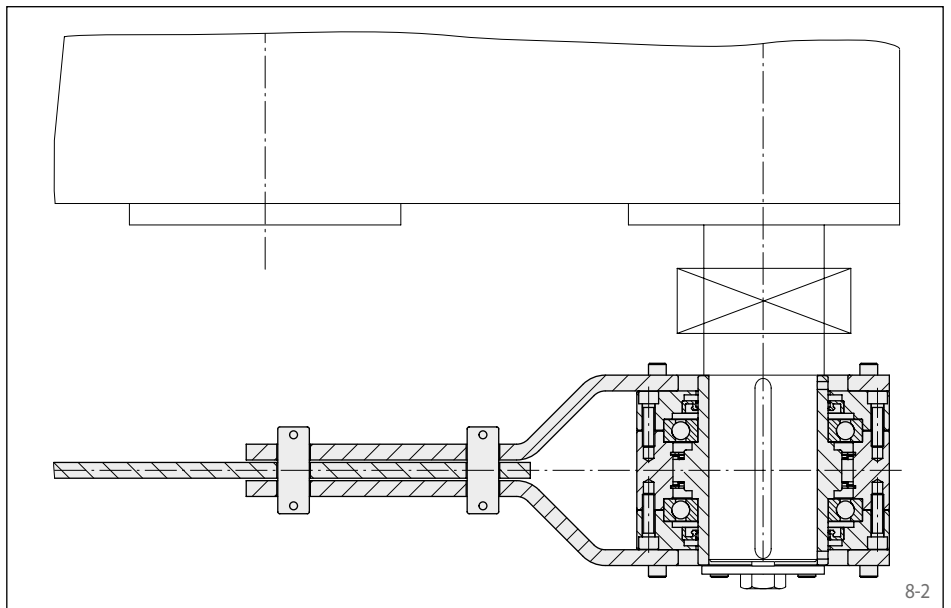
Complete Freewheels

- With bearing support between inner or outer ring
- Completely enclosed
- With own lubrication
- Connection to the outer ring and the customer part by:
 - bolting to the face (figure 8-1),
 - mounting flange,
 - keyway connection on the outer ring,
 - lever arm or
 - shaft coupling.



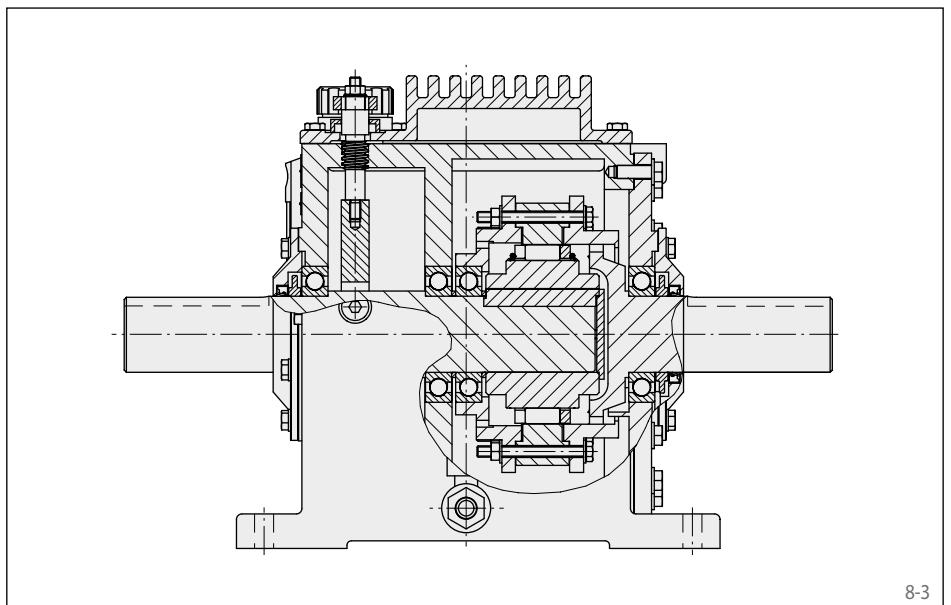
Low Speed Backstop

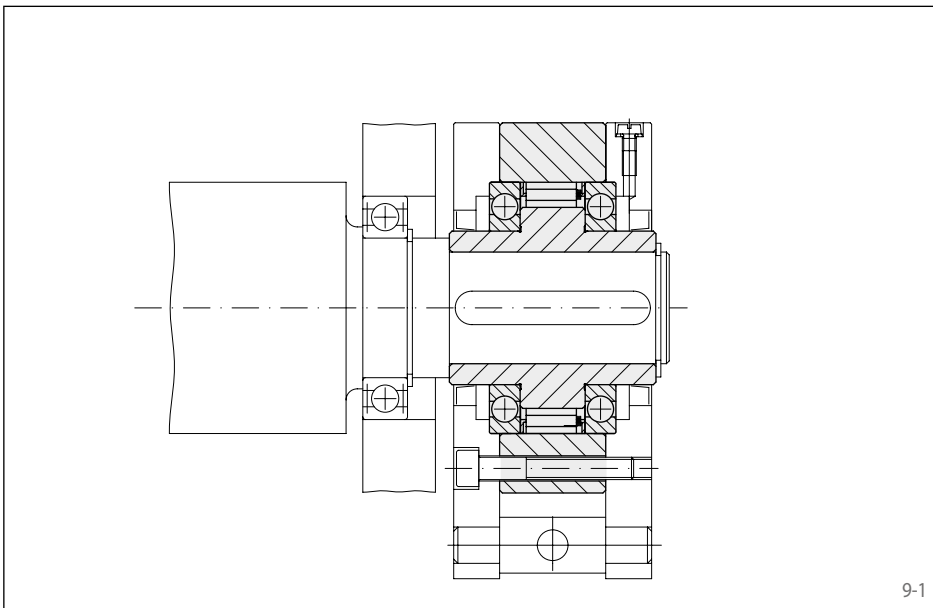
- With bearing support from inner to outer ring
- Completely enclosed
- With own lubrication



Housing Freewheels

- With bearing support between inner and outer ring
- Completely enclosed by its own housing
- With own lubrication
- With bearing supported input and output shafts
- Stationary arrangement

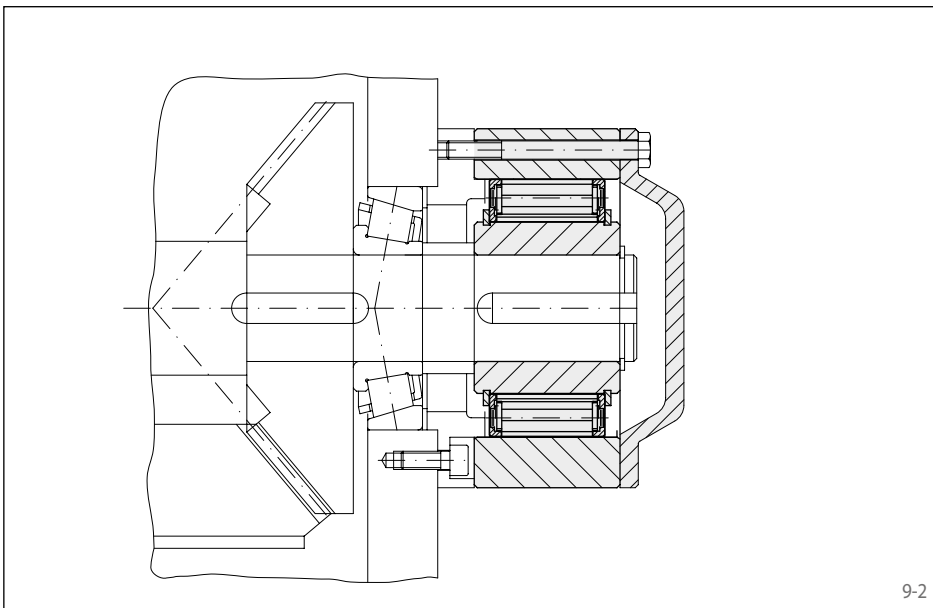




9-1

Basic Freewheels

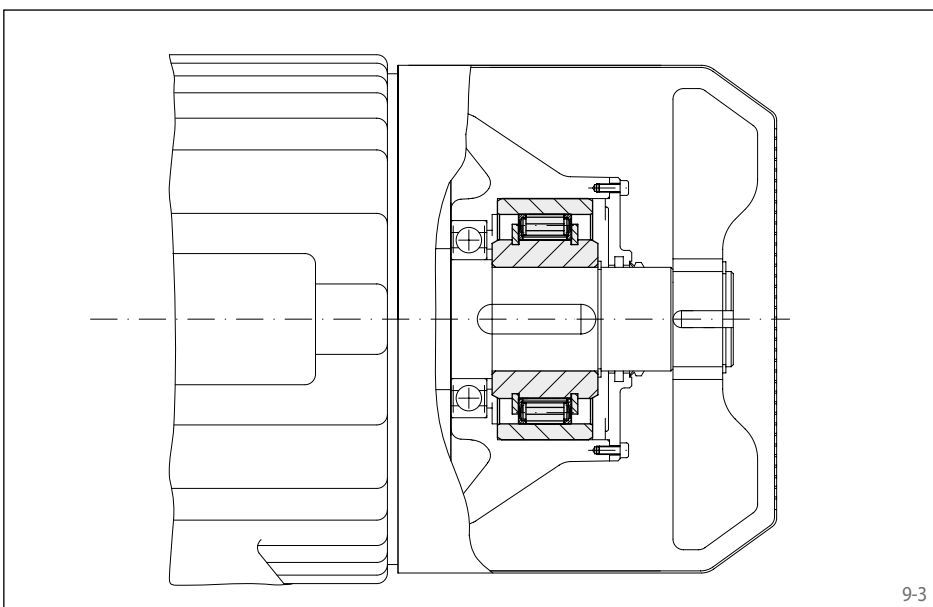
- With bearing support between inner and outer ring
- For assembly with connecting parts
- Lubrication - if necessary - to be provided by the customer



9-2

Integrated Freewheels

- Without bearing support. Concentric alignment of inner and outer ring must be provided by the customer.
- Integrating the outer ring on the customer part by bolting to the face
- Lubrication - if necessary - to be provided by the customer



9-3

Internal Freewheels

- Series both with and without bearing support. In the case of series without bearing support, concentric alignment of the inner and outer ring must be provided by the customer.
- Installing the outer ring in the customer's housing with press fit or keyway connection. This makes compact, space-saving solutions possible.
- Lubrication - if necessary - to be provided by the customer

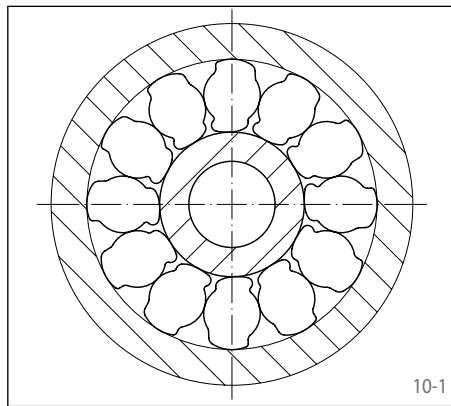
Freewheels with Sprags or Rollers

two different designs of freewheels

Design as Sprag Freewheel

The sprag freewheel has outer and inner rings with cylindrical tracks. The individually spring loaded sprags are arranged in between the rings. The freewheel locks without slipping. Different sprag profiles enable a multitude of types. Types are available for:

- High torques
- Contactless freewheeling operation
- High indexing accuracy



Function of Sprag Freewheels

With the sprag arrangement illustrated in figure 10-2 the outer ring can be turned freely clockwise (freewheeling operation), if the inner ring

- is at a standstill,
- is turned counter-clockwise or
- is turned clockwise slower than the outer ring.

If the outer ring - e.g. with a stationary inner ring - is turned in the opposite direction, the clamping becomes effective. The sprags clamp without slipping between the tracks. In this direction of rotation high torque can be transmitted (driving operation).

The sprag arrangement in figure 10-2 also enables freewheeling operation while the inner ring is turned counter-clockwise and driving operation when turning clockwise.

On the line of influence which links the points of contact of the sprag to the inner track and the sprag to the outer track, in driving operation the clamping generates the forces F_I and F_A (refer to figure 10-3). Because of the equilibrium of forces, these are equal. The forces F_I and F_A can be divided into the normal forces F_{NI} and F_{NA} as well as into the circumferential forces F_{TI} and F_{TA} . The line of influence forms against the force F_{NI} or F_{NA} the clamping angle ε_I or ε_A , whereby $\varepsilon_I > \varepsilon_A$. To achieve self-locking, the tangent of the clamping angle ε_I must be less than the friction value μ .

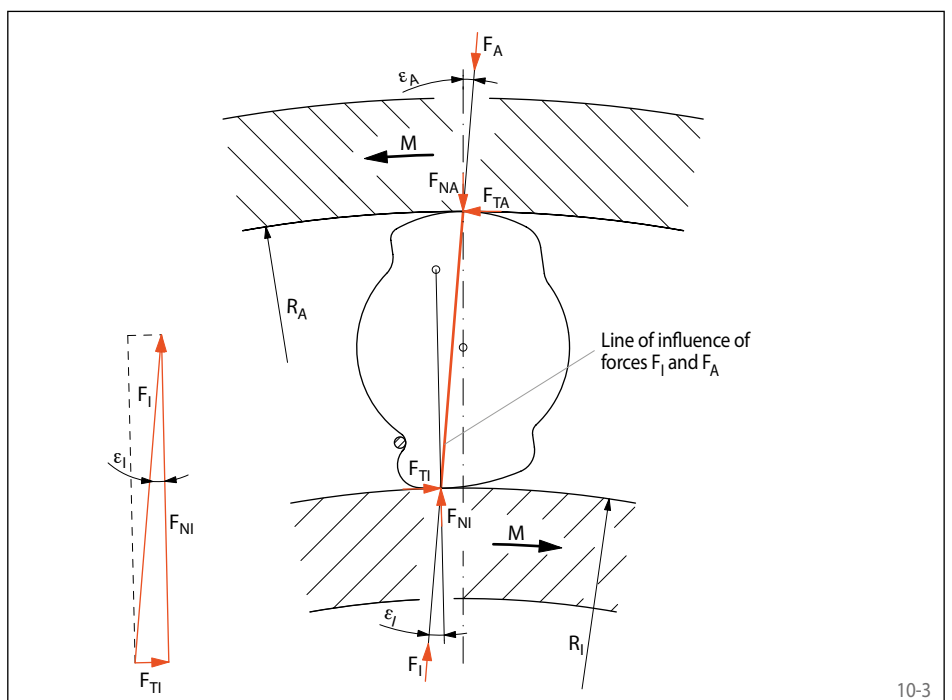
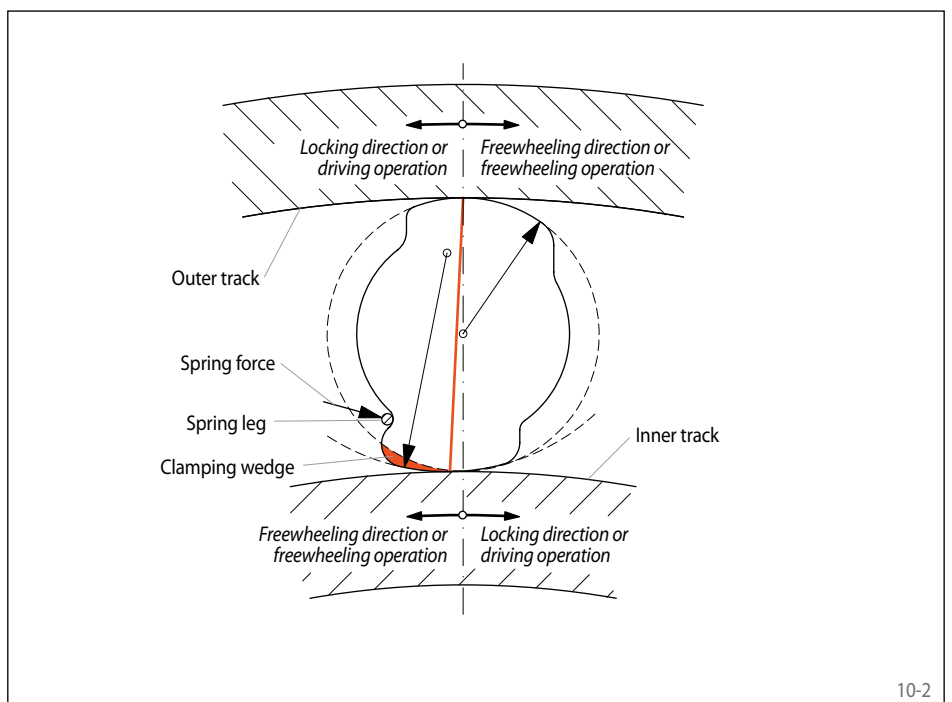
$$\tan \varepsilon_I = \frac{F_{TI}}{F_{NI}} \cong \mu$$

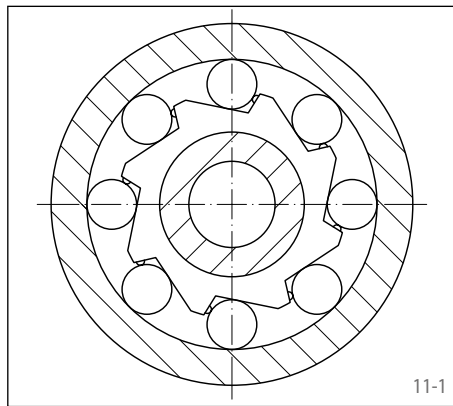
Because of the relationship

$$\begin{aligned} M &= z \cdot R_I \cdot F_{TI} = z \cdot R_I \cdot F_{NI} \cdot \tan \varepsilon_I \\ &= z \cdot R_A \cdot F_{TA} = z \cdot R_A \cdot F_{NA} \cdot \tan \varepsilon_A \end{aligned}$$

with z = number of sprags

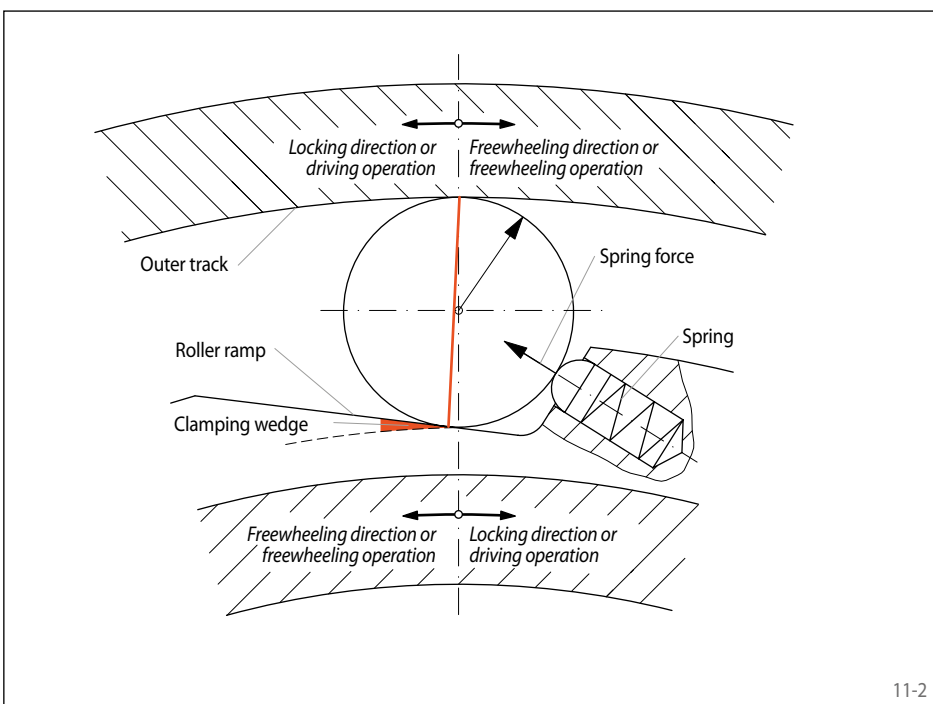
the normal forces and the clamping angles adapt automatically to the acting torque M .





Design as a Roller Freewheel

With roller freewheels either the inner or the outer ring has roller ramps. The other ring has a cylindrical track. The individually spring loaded rollers are arranged in between the rings. The freewheel locks without slipping.



Function of Roller Freewheels

With the version illustrated in figure 11-2, the outer ring can be turned freely clockwise (freewheeling operation), if the inner ring

- is at a standstill,
- is turned counter-clockwise or
- is turned clockwise slower than the outer ring.

If the outer ring - e.g. with a stationary inner ring - is turned in the opposite direction, the clamping becomes effective. The rollers clamp without slipping between the tracks. In this direction of rotation high torque can be transmitted (driving operation).

The version illustrated in figure 11-2 also enables a freewheeling operation while the inner ring is turned counter-clockwise and driving operation when turning clockwise.

On the line of influence which links the points of contact of the roller to the roller ramp and the roller to the outer track, in driving operation the clamping generates the forces F_I and F_A (refer to figure 11-3). Because of the equilibrium of forces, these are equal. The forces F_I and F_A can be divided into the normal forces F_{NI} and F_{NA} as well as into the circumferential forces F_{TI} and F_{TA} . The line of influence forms against the force F_{NI} or F_{NA} the clamping angle ϵ . To achieve self-locking, the tangent of the clamping angle must be less than the friction value μ . E.g. for the contact point of the roller to the outer track this means:

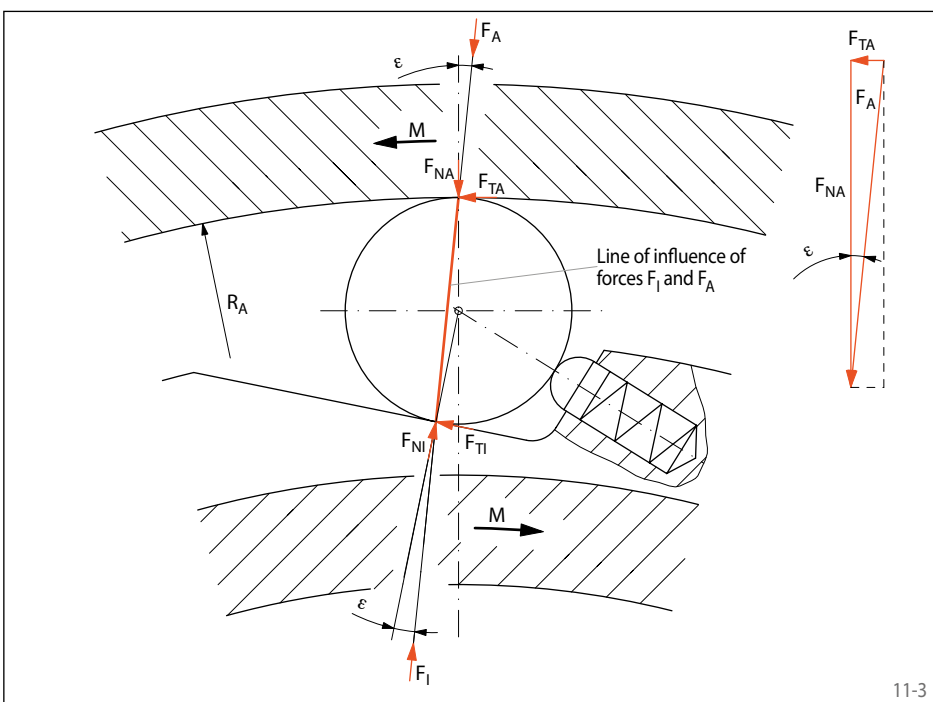
$$\tan \epsilon = \frac{F_{TA}}{F_{NA}} \leq \mu$$

Because of the relationship

$$M = z \cdot R_A \cdot F_{TA} = z \cdot R_A \cdot F_{NA} \cdot \tan \epsilon$$

with z = number of rollers

the normal force and the clamping angle adapt automatically to the acting torque M .



Types for Extended Service Life

	Standard type For universal use	Type with sprag lift-off X For extended service life using sprag lift-off at high speed rotating inner ring	Type with sprag lift-off Z For extended service life using sprag lift-off at high speed rotating outer ring	Type with RIDUVIT® For extended service life using coated sprags	Type with hydrodynamic sprag lift-off For extended service life using sprag lift-off at high speed rotating outer ring
Use as	Backstop	Up to medium speeds during freewheeling operation (inner or outer ring freewheels)	Up to very high speeds during freewheeling operation (inner ring freewheels)	Up to very high speeds during freewheeling operation (outer ring freewheels)	Up to high speeds during freewheeling operation (inner or outer ring freewheels)
	Overrunning Clutch	Up to medium speeds during freewheeling operation (inner or outer ring overruns) Up to very high speeds in driving operation (outer or inner ring drives)	Up to very high speeds during freewheeling operation (inner ring overruns) Low speeds in driving operation (outer ring drives)	Up to very high speeds during freewheeling operation (outer ring overruns) Low speeds in driving operation (inner ring drives)	Up to high speeds during freewheeling operation (inner or outer ring overruns) Up to very high speeds in driving operation (outer or inner ring drives)
	Indexing Freewheel	Up to a medium total number of actuations			Up to a high total number of actuations

In addition the standard type, RINGSPANN has developed four other types for extended ser-

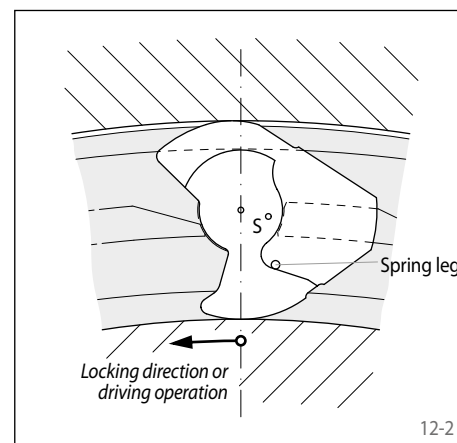
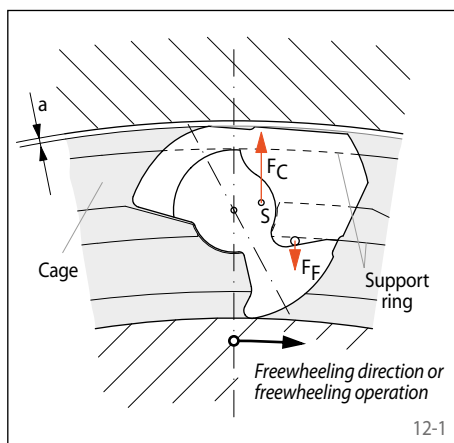
vice life for freewheels with sprags. The table above lists the recommended application con-

ditions for these types.

Type with sprag lift-off X

The sprag lift-off X is used for backstops and overrunning clutches, provided that in freewheeling operation the inner ring is rotating at high speed and providing with overrunning clutches that the driving operation is conducted at low speed. In freewheeling operation, the centrifugal force F_C causes the sprag to lift off from the outer track. In this operating state, the freewheel works wear-free, i.e. with unlimited service life.

Figure 12-1 shows a freewheel with sprag lift-off X in freewheeling operation. The sprags, which are supported in a cage connected with the inner ring, rotate with the inner ring. The centrifugal force F_C that is applied in the centre of gravity S of the sprag turns the sprag counter-clockwise and rests against the support ring of the cage. This results in the gap a between



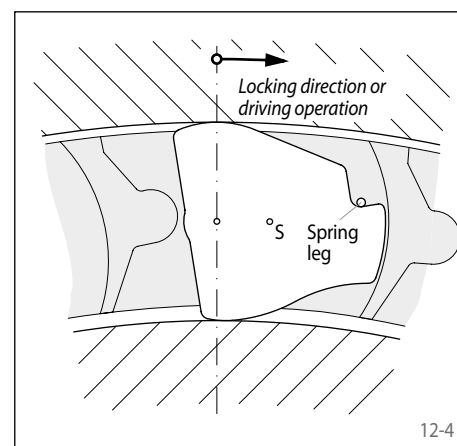
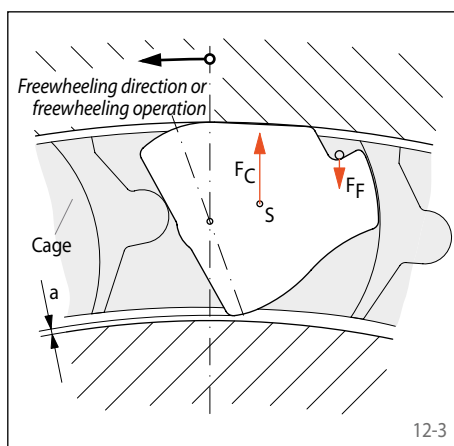
the sprag and the outer track; the freewheel works without contact. If the inner ring speed decreases to such an extent that the effect of the centrifugal force on the sprag is less than that of the spring force F_F , the sprag again rests

on the outer ring and the freewheel is ready to lock (figure 12-2). If used as an overrunning clutch, the driving speed must not exceed 40% of the lift-off speed.

Type with sprag lift-off Z

The sprag lift-off Z is applied for backstops and overrunning clutches, provided in freewheeling operation the outer ring is rotating at high speed, and providing with overrunning clutches the driving operation is conducted at low speed. In freewheeling operation, the centrifugal force F_C causes the sprag to lift off from the inner track. In this operating state, the freewheel works wear-free, i.e. with unrestricted service life.

Figure 12-3 shows a freewheel with sprag lift-off Z in freewheeling operation. The sprags rotate with the outer ring. The centrifugal force F_C that is applied in the centre of gravity S of the sprag turns the sprag counter-clockwise and rests against the outer ring. This results in the gap a between the sprag and the inner



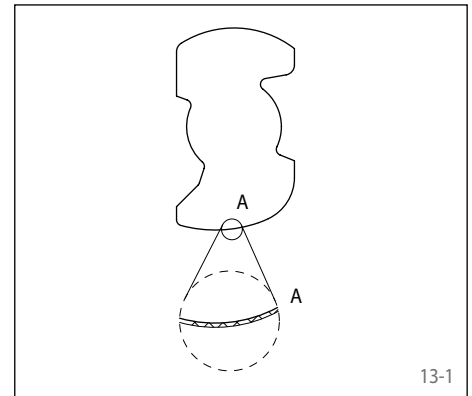
track; the freewheel works without contact. If the outer ring speed decreases to such an extent that the effect of the centrifugal force on the sprag is less than that of the spring force F_F ,

the sprag again rests on the inner ring and the freewheel is ready to lock (figure 12-4). If used as an overrunning clutch, the driving speed must not exceed 40% of the lift-off speed.

Type RIDUVIT®

RINGSPANN sprags are made from chrome steel, the same material as used for the balls in ball bearings. The high compressive strength, elasticity and tensile strength of this material is required for the sprags in a locked state. In freewheeling operation, however, it is able to cope with utmost wear resistance on the points of contact of the sprag with the inner track. All of these requirements are perfectly fulfilled by using a chrome steel sprag with RIDUVIT® coating. The RIDUVIT® coating lends the sprag a resistance to wear akin to that of hard metal. The technology used here is based on state-of-

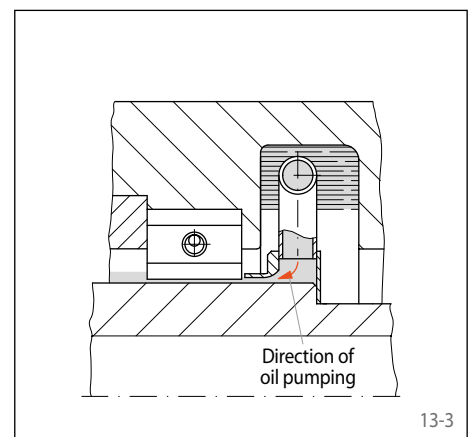
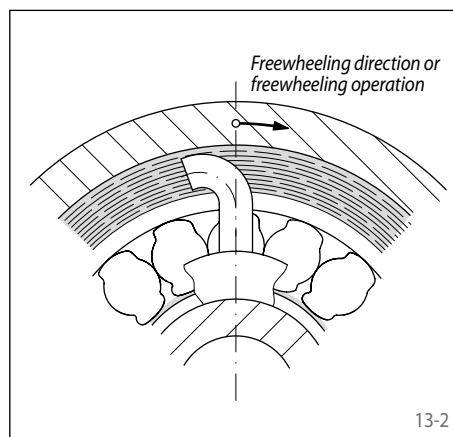
the-art tribology research. RIDUVIT® sprags are used in backstops and overrunning clutches and considerably increase the service life.



Type with hydrodynamic sprag lift-off

The hydrodynamic sprag lift-off is the ideal solution for overrunning clutches at high speeds, not only in freewheeling operation, but also in the driving operation, as can occur, for example, in multimotor drives. In the case of the hydrodynamic sprag lift-off, the lifting force is generated by an oil flow. The relative speed between the inner and outer rings is decisive for the lifting-off function. Compared to the freewheels with sprag lift-off X or Z, here the driving speed can be just as high as the freewheeling speed.

The freewheels with hydrodynamic sprag lift-off (series FK_h) include an oil pump that is based on the pitot tube principle. The pitot tubes are connected with the inner ring. When the outer ring is rotating, an oil ring forms in the oil chamber, into which the pitot tubes are immersed. As soon as the outer ring overruns the inner ring, the pitot tubes pump the oil under pressure into the ring chamber and the oil then seeps out through the ring gap at high speed axially into the intermediate areas of the sprags.



Depending on the relative speed between the outer and inner ring, the oil flow does not flow axially into the intermediate areas of the sprags, but at an angle. This creates a reaction force on the sprags. This reaction force overcomes the contact force of the sprag springs, and the sprags lift off from the inner ring. This process is supported by a hydrodynamic wedge formation. If the relative speed between the

outer and inner rings reduces, the lifting force also reduces. Before achieving synchronous running, the sprags are brought safely to rest on the inner ring and are ready to lock. This guarantees immediate torque transfer once the synchronous speed has been reached. The hydrodynamic sprag lift-off enables a virtually wear-free freewheeling operation.

Selection torque for Backstops

Bringing a loaded inclined conveyor, an elevator or a pump to a standstill is a highly dynamic process that incurs high peak torques. These peak torques are decisive for the selection of the backstop. The prior determination of the occurring torque in the case of locking is carried out most safely by using a rotational vibration analysis of the entire system. This, however, requires a knowledge of the rotating masses, the rotational rigidity and all of the excitation moments that occur on the system. In many cases, a vibrational calculation is too time consuming or you may not have all the necessary data in the configuration phase available. In this case, the selection torque M_A of the backstop should be determined as follows:

$$M_A = 1,75 \cdot M_L \text{ [Nm]}$$

Often you only have the figures for the motor nominal output P_0 [kW] available. Then:

$$M_A = 1,75 \cdot F^2 \cdot 9550 \cdot P_0 / n_{SP} \text{ [Nm]}$$

In these equations:

$$M_A = \text{Selection torque of the backstop [Nm]}$$

$$M_L = 9550 \cdot F \cdot P_L / n_{SP} \text{ [Nm]}$$

= Static backdriving torque of the load referring to the backstop shaft [Nm]

$$P_L = \text{Lifting capacity of the conveyor system at full load [kW]}$$

= Lifting height [m] multiplied by the load that is being conveyed per second [kN/s]

$$P_0 = \text{Nominal power of motor [kW]}$$

$$n_{SP} = \text{Speed of backstop shaft [min}^{-1}\text{]}$$

$$F = \text{Selection factor (refer to table)}$$

After calculating M_A the backstop size must be selected in accordance with the catalogue tables in such a way that in all cases this applies:

$$M_N \geq M_A$$

$$M_N = \text{Nominal torque of the backstop in accordance with the table values [Nm]}$$

It must be noted that, with a direct motor start in the locking direction of a backstop, very high peak torques can occur which in turn can destroy the backstop.

Approximate values for F:

Type of installation	F	F ²
Conveyor belts, angle up to 6°	0,71	0,50
Conveyor belts, angle up to 8°	0,78	0,61
Conveyor belts, angle up to 10°	0,83	0,69
Conveyor belts, angle up to 12°	0,86	0,74
Conveyor belts, angle up to 15°	0,89	0,79
Screw pumps	0,93	0,87
Ball mills, drying drums	0,85	0,72
Bucket conveyors, elevators	0,92	0,85
Hammer mills	0,93	0,87
Fans, Ventilators	0,53	0,28

Selection torque for Overrunning Clutches

In many cases where overrunning clutches are being used, dynamic processes occur that cause high peak torques. In the case of overrunning clutches, the torques that occur during start up must be observed. The peak torques when starting up can, in the case of asynchronous motors - especially when accelerating large masses and when using elastic couplings - significantly exceed the torque calculated from the motor pull-over torque. The conditions for internal combustion engines are similar. Even in normal operation, on account of their degree of irregularity, peak torques can occur that are way in excess of the nominal torque.

The prior determination of the maximum occurring torque is carried out most safely by using a rotational vibration analysis of the entire system. This, however, requires a knowledge of the rotating masses, the rotational rigidity and all of the excitation moments that occur on the system. In many cases, a vibrational calculation is too time consuming or you may not have all the necessary data in the configuration phase available. In this case, the selection torque M_A of the overrunning clutch should be determined as follows:

$$M_A = K \cdot M_L$$

In this equation:

$$M_A = \text{Selection torque of the freewheel}$$

$$K = \text{Operating factor (refer to table)}$$

$$M_L = \text{Load torque for constant rotating freewheel:}$$

$$= 9550 \cdot P_0 / n_{FR}$$

$$P_0 = \text{Nominal power of motor [kW]}$$

$$n_{FR} = \text{Speed of the freewheel in driving operation [min}^{-1}\text{]}$$

After calculating M_A the freewheel size must be selected in accordance with the catalogue tables in such a way that in all cases this applies:

$$M_N \geq M_A$$

$$M_N = \text{Nominal torque of the freewheel in accordance with the table values [Nm]}$$

Approximate values for operating factor K:

Type of driver	K
Electric motors with low start up impact (e.g. DC motors, asynchronous motors with slip rings or soft start couplings), steam turbines, gas turbines	0,8 to 2,5
Electric motors with considerable start up impact (e.g. synchronous or asynchronous motors with direct start)	1,25 to 2,5
Piston engines with more than two cylinders, water turbines, hydraulic motors	1,25 to 3,15
Piston engines with one or two cylinders	1,6 to 3,15

The operating factor K depends on the properties of the driver and the machine. The general rules of mechanical engineering apply here. We know from practice that applications are known where the operating factor K can also assume values of up to 20, e.g. with a direct start-up of asynchronous electric motors in connection with elastic couplings.

Selection torque for Indexing Freewheels

The selection torque for indexing freewheels is, among other things, dependent upon how the back and forth motion is generated (crank

operation, hydraulic cylinders, pneumatic cylinders etc.). It cannot be specified in a simple equation. When stating the maximum torque

to be transmitted, we are happy to advise you regarding the selection torque.

The selection of the correct freewheel depends on several criteria. In order to make an optimum freewheel selection for you, we ask that you complete the respective questionnaire on pages 106 to 109 and send it to us.

If you wish to select the freewheel yourself, then we recommend - without liability for possible errors that could occur during selection - that you proceed as follows:

1. Determine the application of the Freewheel as a

- ▶ Backstop
- ▶ Overrunning Clutch
- ▶ Indexing Freewheel

Refer to page 5.

2. Determine the suitable category of the Freewheel as

- Complete Freewheel
- Low Speed Backstop,
- Housing Freewheel,
- Basic Freewheel,
- Integrated Freewheel or
- Internal Freewheel.

Refer to pages 8 and 9.

3. Determine the selection torque of the Freewheel

Refer to page 14.

The nominal torques, specified in the catalogue are designed for the application of freewheels on solid shafts and the specified minimum thickness of the housing or the outer rings. When using freewheels on hollow shafts or with lower outer wall thickness, the transmissible torque should be checked by RINGSPANN.

4. Determine the suitable type of the Freewheel as

- Standard type,
- Type with sprag lift-off X
- Type with sprag lift-off Z
- Type with RIDUVIT®
- Type with hydrodynamic sprag lift-off

Refer to pages 12 and 13.

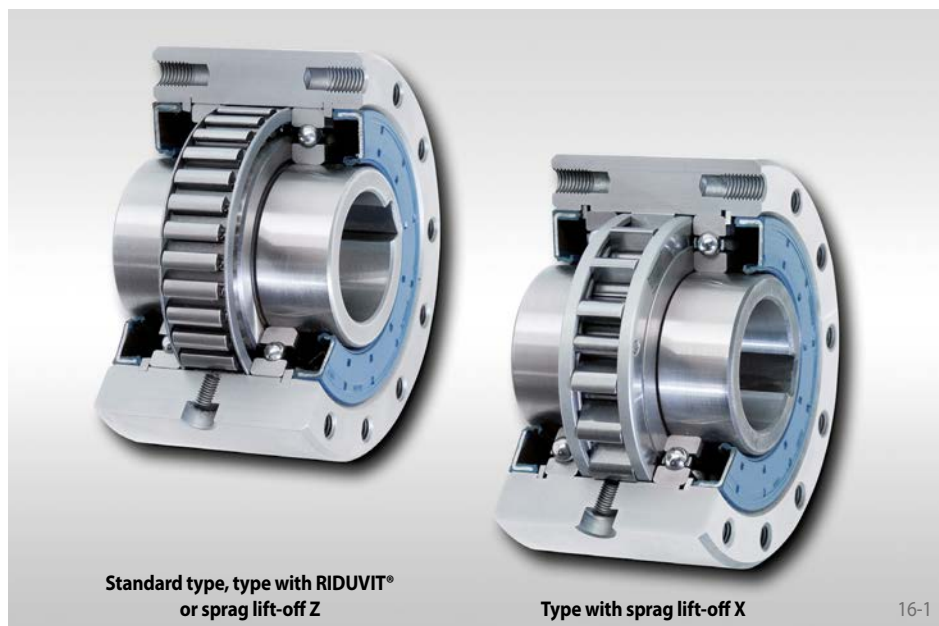
5. Choose the suitable Freewheel

Refer to the table of contents on pages 2 and 3, the representations of the different series on pages 16 to 97 as well as the technical points on pages 102 to 105.



Complete Freewheels FB

for bolting to the face
with sprags, available in four types



Application as

- ▶ Backstop
- ▶ Overrunning Clutch
- ▶ Indexing Freewheel

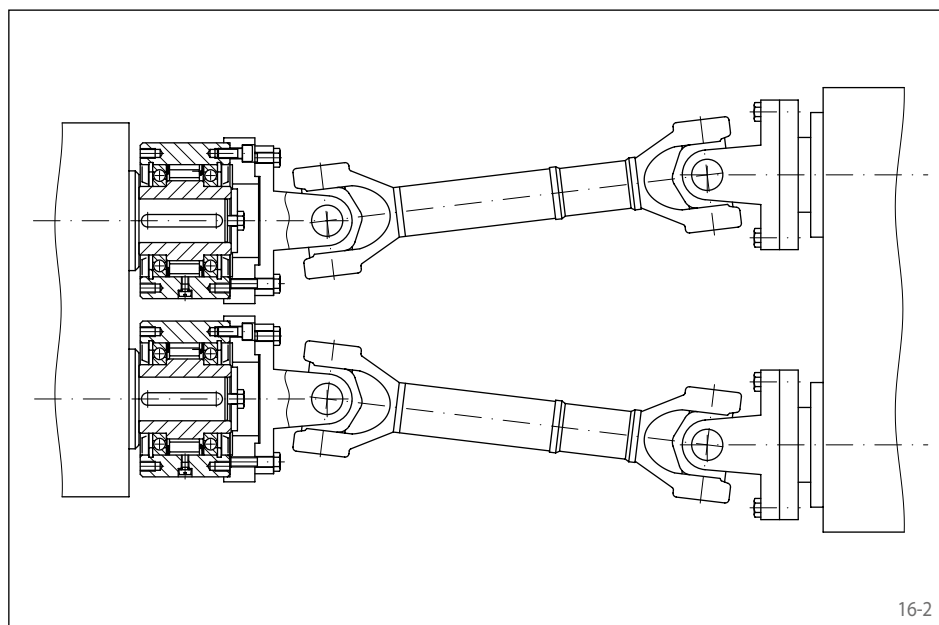
Features

Complete Freewheels FB are sealed sprag free-wheels with ball bearings. They are supplied oil-filled and ready for installation, on customer request with biodegradable oil.

In addition to the standard type, three other types are available for extended service life.

Nominal torques up to 160 000 Nm.

Bores up to 300 mm. A multitude of standard-ized bore diameters are available with short delivery times.



Application example

Two Complete Freewheels FB 82 SFT as over-running clutches in the drive of an edge trimming shear in a wide strip roll train. When trimming the edges of the strip, the trimming rollers are driven by the drive of the edge trimming shear. By doing so, the two freewheels work in driving operation. As soon as the sheet metal strip is gripped by the next pair of rollers, they pull the strip at an increased speed and the inner rings overrun the slower turning drive of the edge trimming shear. By doing so, the freewheels work in freewheeling operation. The RIDUVIT® sprags give the freewheels an extended service life.

Mounting

The customer attachment part is on the external diameter D and then bolted on to the face.

The tolerance of the shaft must be ISO h6 or j6 and the tolerance of the pilot diameter D of the attachment part must be ISO H7 or J7.

Example for ordering

Freewheel size FB 72, type with sprag lift-off Z and 40 mm bore:

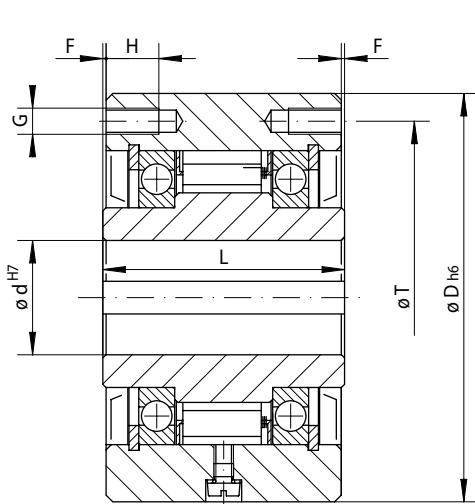
- FB 72 LZ, d = 40 mm

When ordering freewheel size FB 340 and FB 440, please also specify the freewheeling direction of the inner ring when viewed in direction X:

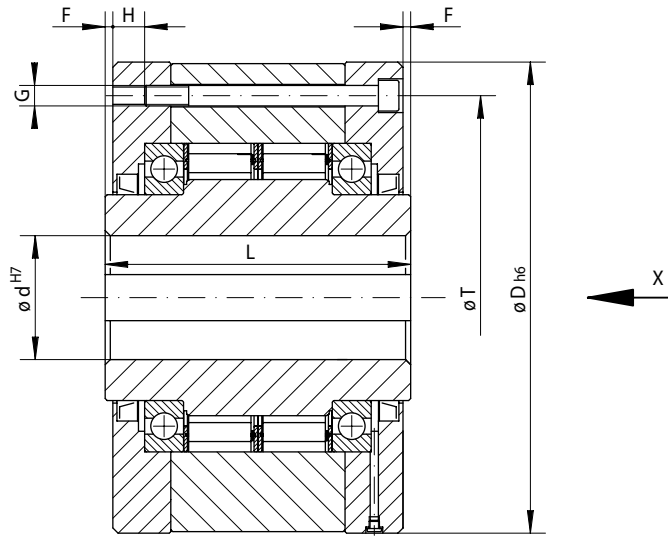
- counter-clockwise free or
- clockwise free

Complete Freewheels FB

for bolting to the face
with sprags, available in four types



Size FB 24 to FB 270



Size FB 340 to FB 440

17-2

Indexing Freewheel Overrunning Clutch Backstop	Standard type	Type with RIDUVIT®	Type with sprag lift-off X	Type with Sprag lift-off Z
	For universal use	For extended service life with coated sprags	For extended service life using sprag lift-off at high speed rotating inner ring	For extended service life using sprag lift-off at high speed rotating outer ring

Freewheel Size	Type	Nominal torque Mn Nm	Max. speed		Type	Nominal torque Mn Nm	Max. speed		Type	Nominal torque Mn Nm	Sprag lift-off at inner ring speed min ⁻¹	Max. speed		Type	Nominal torque Mn Nm	Sprag lift-off at outer ring speed min ⁻¹	Max. speed	
			Inner ring freewheels/ overruns min ⁻¹	Outer ring freewheels/ overruns min ⁻¹			Inner ring freewheels/ overruns min ⁻¹	Outer ring freewheels/ overruns min ⁻¹				Inner ring freewheels/ overruns min ⁻¹	Outer ring drives min ⁻¹				Outer ring freewheels/ overruns min ⁻¹	Inner ring drives min ⁻¹
FB 24	CF	45	4800	5500	CFT	45	4800	5500										
FB 29	CF	80	3500	4000	CFT	80	3500	4000										
FB 37	SF	200	2500	2600	SFT	200	2500	2600									3000	340
FB 44	SF	320	1900	2200	SFT	320	1900	2200	DX	130	860	1900	344	CZ	180	800	2600	320
FB 57	SF	630	1400	1750	SFT	630	1400	1750	DX	460	750	1400	300	LZ	430	1400	2100	560
FB 72	SF	1250	1120	1600	SFT	1250	1120	1600	DX	720	700	1150	280	LZ	760	1220	1800	488
FB 82	SF	1800	1025	1450	SFT	1800	1025	1450	DX	1000	670	1050	268	SFZ	1700	1450	1600	580
FB 107	SF	2500	880	1250	SFT	2500	880	1250	DX	1500	610	900	244	SFZ	2500	1300	1350	520
FB 127	SF	5000	800	1150	SFT	5000	800	1150	SX	3400	380	800	152	SFZ	5000	1200	1200	480
FB 140	SF	10000	750	1100	SFT	10000	750	1100	SX	7500	320	750	128	SFZ	10000	950	1150	380
FB 200	SF	20000	630	900	SFT	20000	630	900	SX	23000	240	630	96	SFZ	20000	680	900	272
FB 270	SF	40000	510	750	SFT	40000	510	750	UX	40000	210	510	84	SFZ	37500	600	750	240
FB 340	SF	80000	460	630	SFT	80000	460	630										
FB 440	SF	160000	400	550	SFT	160000	400	550										

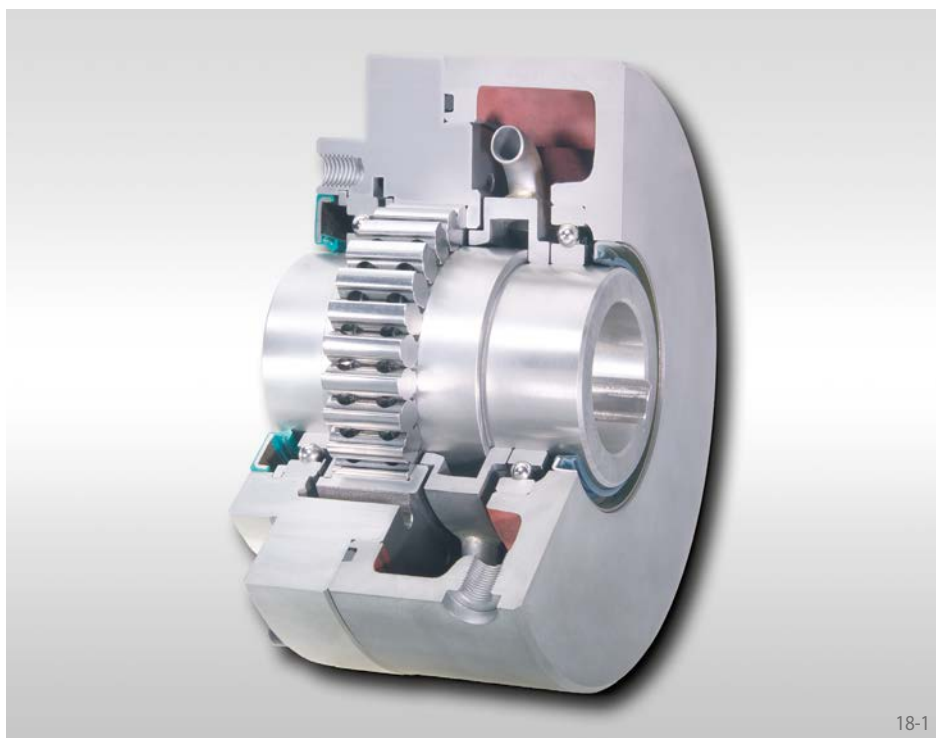
The maximum transmissible torque is 2 times the specified nominal torque. See page 14 for determination of selection torque.

Freewheel Size	Bore d		D	F	G**	H	L	T	Z**	Weight
	Standard mm	max. mm								
FB 24	12	14*	62	1,0	M5	8	50	51	3	0,9
FB 29	15	17*	68	1,0	M5	8	52	56	3	1,1
FB 37	20	22*	75	0,5	M6	10	48	65	4	1,3
FB 44	25*	25*	90	0,5	M6	10	50	75	6	1,9
FB 57	30	32*	100	0,5	M8	12	65	88	6	2,8
FB 72	40	42*	125	1,0	M8	12	74	108	12	5,0
FB 82	50*	50*	135	2,0	M10	16	75	115	12	5,8
FB 107	60	65*	170	2,5	M10	16	90	150	10	11,0
FB 127	70	75*	200	3,0	M12	18	112	180	12	19,0
FB 140	90	95*	250	5,0	M16	25	150	225	12	42,0
FB 200	120	120	300	5,0	M16	25	160	270	16	62,0
FB 270	140	150	400	6,0	M20	30	212	360	18	150,0
FB 340	180	240	500	7,5	M20	35	265	450	24	275,0
FB 440	220	300	630	7,5	M30	40	315	560	24	510,0

Keyway according to DIN 6885, page 1 • Tolerance of keyway width JS10.
* Keyway according to DIN 6885, page 3 • Tolerance of keyway width JS10.
** Z = Number of tapped holes G on pitch circle T.

Complete Freewheels FKh

for bolting to the face
with hydrodynamic sprag lift-off for multi-motor drives



18-1

Application as

▶ Overrunning Clutch

at high speeds, which are the same or similar in freewheeling operation and in driving operation.

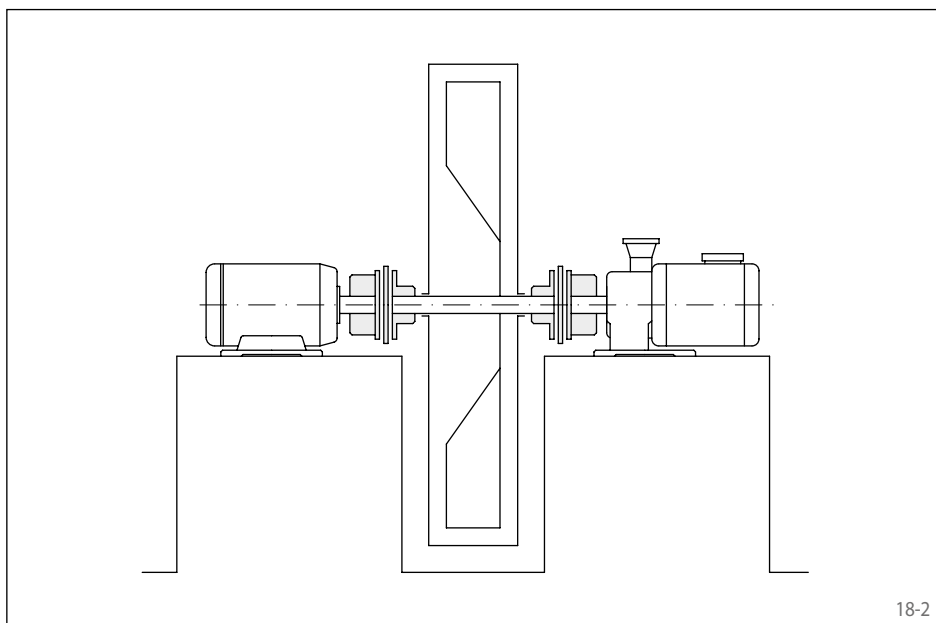
Features

Complete Freewheels FKh with hydrodynamic sprag lift-off are typically used in installations where an assembly can be driven from two or more motors or turbines at the same or similar high speed.

Complete Freewheels FKh are sealed sprag freewheels with ball bearings. They are supplied oil-filled and ready for installation, on customer request with biodegradable oil.

Nominal torques up to 14 000 Nm.

Bores up to 95 mm.

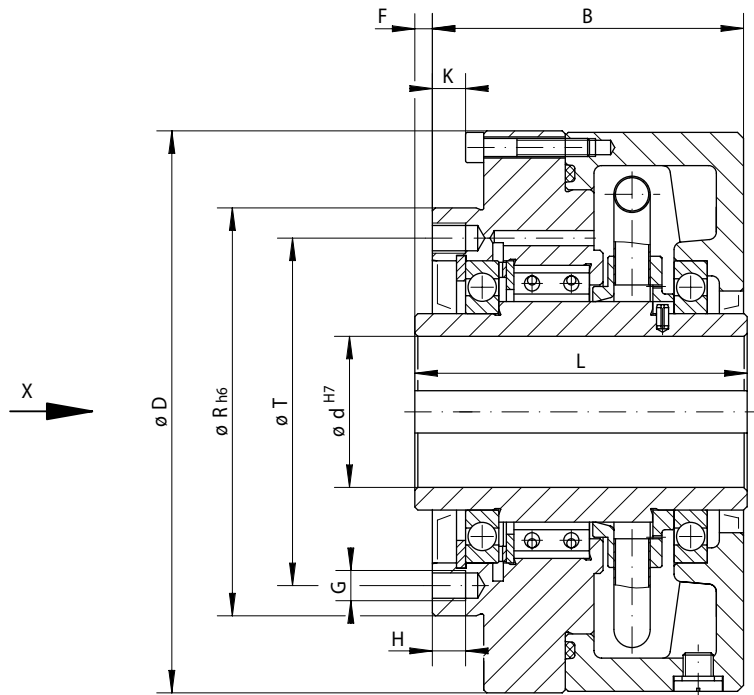


18-2

Application example

Two Complete Freewheels FKh 28 ATR as overrunning clutches in the drive system of a fan. The fan can be driven either by an electric motor or by a turbine. The freewheels between the fan and the two drive assemblies automatically engage the working drive with the fan and in each case disengage the drive that is no longer giving power. The freewheels replace actuated clutches, which require an additional activation when changing over from one drive to another. The hydrodynamic sprag lift-off is the most suitable type for a wear-free freewheeling operation if the speeds in driving operation are the same or similarly high to those speeds in freewheeling operation.

for bolting to the face
with hydrodynamic sprag lift-off for multi-motor drives



19-1

Overrunning Clutch	Type with hydrodynamic sprag lift-off For extended service life using sprag lift-off at high speed rotating outer ring	Dimensions

Freewheel Size	Type	Nominal torque M_N Nm	Max. speed		Bore d		B	D	F	G**	H	K	L	R	T	Z**	Weight kg
			Outer ring overruns min ⁻¹	Inner ring drives min ⁻¹	Standard mm	max. mm											
FKh 24	ATR	1 100	3 000	3 000	35	40*	90	170	1,0	M10	11	9	95	135	115	6	9,6
FKh 28	ATR	1 800	2 000	2 000	45	50*	103	186	1,0	M10	11	11	105	135	115	12	14,0
FKh 94	ATR	2 500	1 800	1 800	60	60	112	210	7,0	M10	16	9	120	170	150	10	19,0
FKh 106	ATR	4 200	1 600	1 600	70	75*	116	250	7,5	M12	18	8	125	200	180	12	25,0
FKh 148	ATR	7 000	1 600	1 600	80	95*	156	291	7,5	M16	25	9	165	250	225	12	52,0
FKh 2.53	ATR	14 000	1 600	1 600	90	95*	241	345	2,0	M16	25	6	245	250	220	16	98,0

The maximum transmissible torque is 2 times the specified nominal torque. See page 14 for determination of selection torque.

Keyway according to DIN 6885, page 1 • Tolerance of keyway width JS10.

* Keyway according to DIN 6885, page 3 • Tolerance of keyway width JS10.

** Z = Number of tapped holes G on pitch circle T.

Mounting

The customer attachment part is centered on the diameter R and then bolted on to the face.

The installation must invariably take place in such a way that the drive (driving operation) is carried out via the inner ring and the outer ring overruns in freewheeling operation.

The tolerance of the shaft must be ISO h6 or j6 and the tolerance of the pilot diameter R of the attachment part must be ISO H7 or J7.

Example for ordering

Freewheel size FKh 28, type with hydrodynamic sprag lift-off and 45 mm bore:

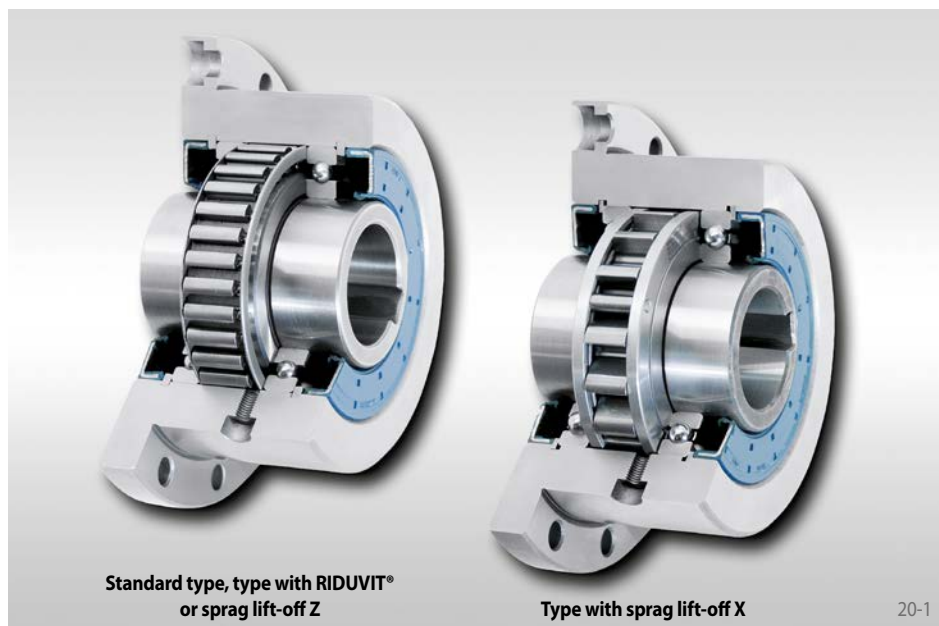
- FKh 28 ATR, d = 45 mm

When ordering, please also specify the freewheel direction of the outer ring when viewed in direction X:

- counter-clockwise free or
- clockwise free

Complete Freewheels FBF

with mounting flange
with sprags, available in four types



Application as

- ▶ Backstop
- ▶ Overrunning Clutch
- ▶ Indexing Freewheel

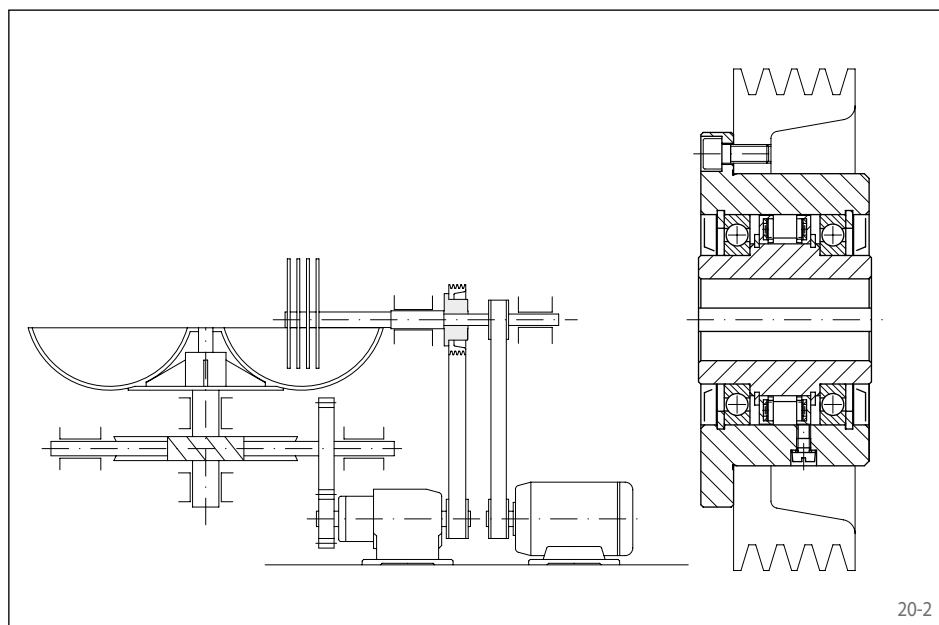
Features

Complete Freewheels FBF with mounting flange are sealed sprag freewheels with ball bearings. They are supplied oil-filled and ready for installation, on customer request with bio-degradable oil.

In addition to the standard type, three other types are available for extended service life.

Nominal torques up to 160 000 Nm.

Bores up to 300 mm. A multitude of standardized bore diameters are available with short delivery times.



Application example

Complete Freewheel FBF 72 DX as an overrunning clutch in the drive of a meat processing machine (chopper). During the mixing process, the gear motor drives the bowl via the gear wheel drive and simultaneously the knife shaft via the belt drive and the locked freewheel. In the cutting process, the knife shaft is driven by a second motor at high speed. By doing so, the inner ring overruns the outer ring that is driven by the gear motor and the gear motor is automatically disengaged. With the high speed of the inner ring in freewheeling operation, the type sprag lift-off X is used; the sprags work in freewheeling operation without contact and hence are wear-free.

Mounting

The customer attachment part is centered on the external diameter D and then bolted on to the face via the flange.

The tolerance of the shaft must be ISO $h6$ or $j6$ and the tolerance of the pilot diameter D of the attachment part must be ISO $H7$ or $J7$.

Example for ordering

Freewheel size FBF 72, type with sprag lift-off X and 40 mm bore:

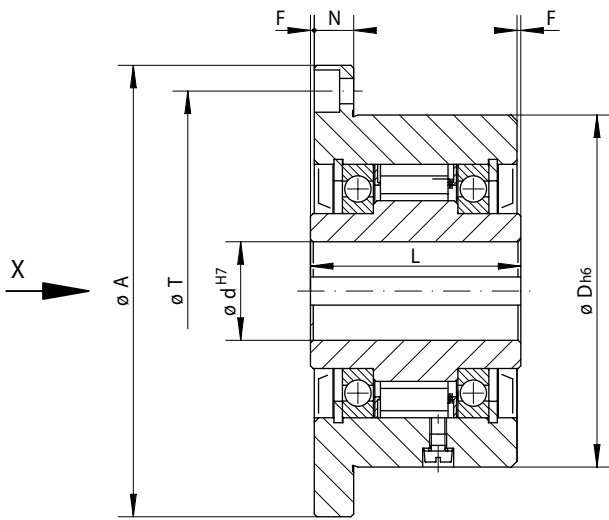
- FBF 72 DX, $d = 40$ mm

When ordering, please also specify the freewheeling direction of the inner ring when viewed in direction X:

- counter-clockwise free or
- clockwise free

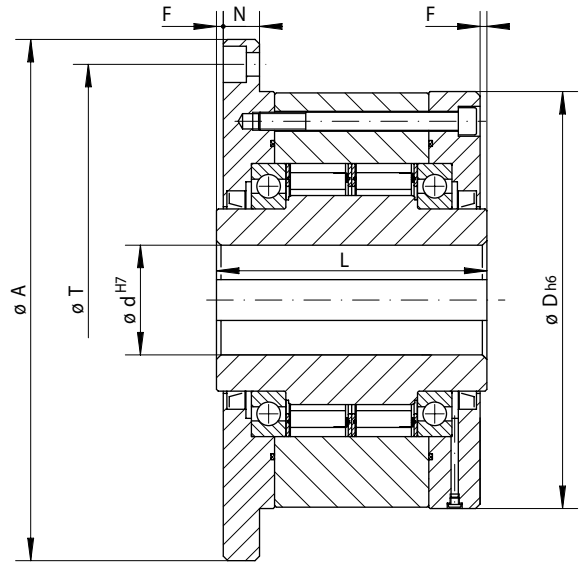
Complete Freewheels FBFB

with mounting flange
with sprags, available in four types



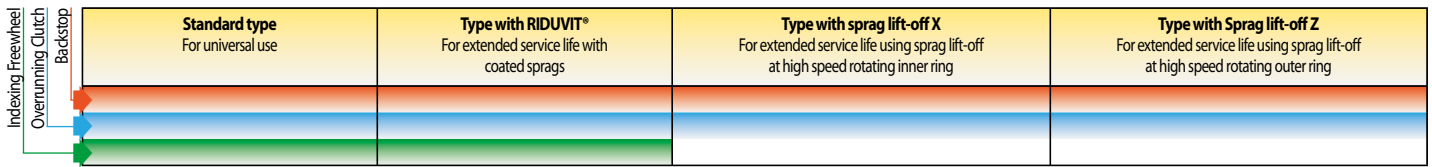
Size FBF 24 to FBF 270

21-1



Size FBF 340 to FBF 440

21-2



Freewheel Size	Type	Nominal torque Mn Nm	Max. speed		Type	Nominal torque Mn Nm	Max. speed		Type	Nominal torque Mn Nm	Sprag lift-off at inner ring speed min ⁻¹	Max. speed		Type	Nominal torque Mn Nm	Sprag lift-off at outer ring speed min ⁻¹	Max. speed	
			Inner ring freewheels/overruns min ⁻¹	Outer ring freewheels/overruns min ⁻¹			Inner ring freewheels/overruns min ⁻¹	Outer ring freewheels/overruns min ⁻¹				Inner ring freewheels/overruns min ⁻¹	Outer ring drives min ⁻¹					
FBF 24	CF	45	4800	5500	CFT	45	4800	5500										
FBF 29	CF	80	3500	4000	CFT	80	3500	4000										
FBF 37	SF	200	2500	2600	SFT	200	2500	2600									3000	340
FBF 44	SF	320	1900	2200	SFT	320	1900	2200	DX	130	860	1900	344	CZ	180	800	2600	320
FBF 57	SF	630	1400	1750	SFT	630	1400	1750	DX	460	750	1400	300	LZ	430	1400	2100	560
FBF 72	SF	1250	1120	1600	SFT	1250	1120	1600	DX	720	700	1150	280	LZ	760	1220	1800	488
FBF 82	SF	1800	1025	1450	SFT	1800	1025	1450	DX	1000	670	1050	268	SFZ	1700	1450	1600	580
FBF 107	SF	2500	880	1250	SFT	2500	880	1250	DX	1500	610	900	244	SFZ	2500	1300	1350	520
FBF 127	SF	5000	800	1150	SFT	5000	800	1150	SX	3400	380	800	152	SFZ	5000	1200	1200	480
FBF 140	SF	10000	750	1100	SFT	10000	750	1100	SX	7500	320	750	128	SFZ	10000	950	1150	380
FBF 200	SF	20000	630	900	SFT	20000	630	900	SX	23000	240	630	96	SFZ	20000	680	900	272
FBF 270	SF	40000	510	750	SFT	40000	510	750	UX	40000	210	510	84	SFZ	37500	600	750	240
FBF 340	SF	80000	460	630	SFT	80000	460	630										
FBF 440	SF	160000	400	550	SFT	160000	400	550										

The maximum transmissible torque is 2 times the specified nominal torque. See page 14 for determination of selection torque.

Freewheel Size	Bore d		A	D	F	G**	L	N	T	Z**	Weight kg
	Standard mm	max. mm									
FBF 24	12	14*	85	62	1,0	M5	50	10	72	3	1,1
FBF 29	15	17*	92	68	1,0	M5	52	11	78	3	1,3
FBF 37	20	22*	98	75	0,5	M5	48	11	85	8	1,5
FBF 44	25*	25*	118	90	0,5	M6	50	12	104	8	2,3
FBF 57	30	32*	128	100	0,5	M6	65	12	114	12	3,2
FBF 72	40	42*	160	125	1,0	M8	74	14	142	12	5,8
FBF 82	50*	50*	180	135	2,0	M10	75	16	155	8	7,0
FBF 107	60	65*	214	170	2,5	M10	90	18	192	10	12,6
FBF 127	70	75*	250	200	3,0	M12	112	20	225	12	21,4
FBF 140	90	95*	315	250	5,0	M16	150	22	280	12	46,0
FBF 200	120	120	370	300	5,0	M16	160	25	335	16	68,0
FBF 270	140	150	490	400	6,0	M20	212	32	450	16	163,0
FBF 340	180	240	615	500	7,5	M24	265	40	560	18	300,0
FBF 440	220	300	775	630	7,5	M30	315	50	710	18	564,0

Keyway according to DIN 6885, page 1 • Tolerance of keyway width JS10.

* Keyway according to DIN 6885, page 3 • Tolerance of keyway width JS10.

** Z = Number of fastening holes for screws G (DIN EN ISO 4762) on pitch circle T.

Complete Freewheels FGR ... R A1A2

with mounting flange
with rollers



22-1

Application as

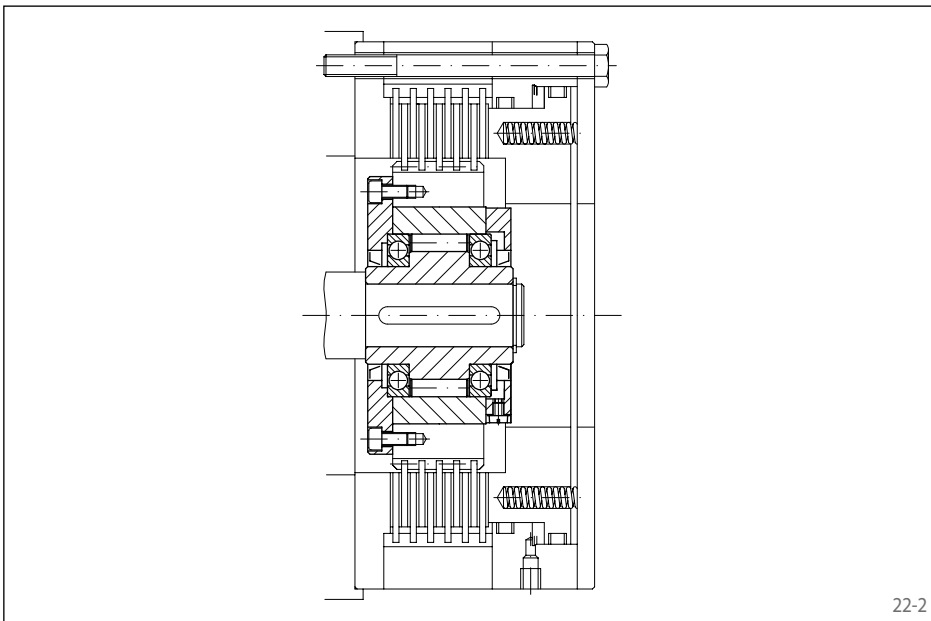
- ▶ Backstop
- ▶ Overrunning Clutch
- ▶ Indexing Freewheel

Features

Complete Freewheels FGR ... R A1A2 with mounting flange are sealed roller freewheels with ball bearings. They are oil lubricated.

Nominal torques up to 68 000 Nm.

Bores up to 150 mm.

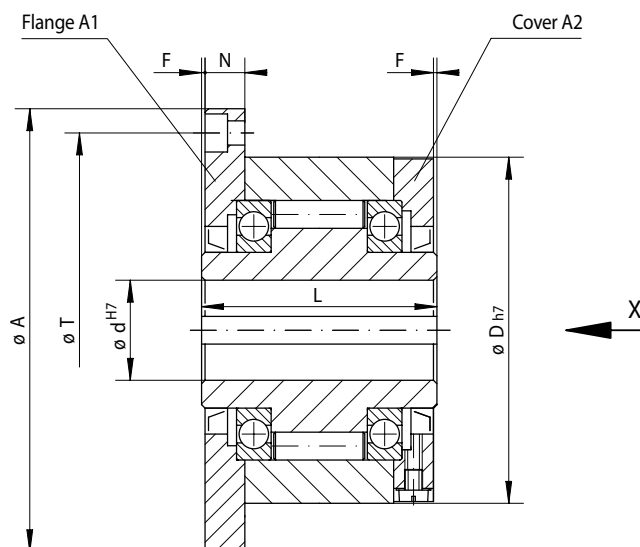


22-2

Application example

Complete Freewheel FGR 50 R A1A2, used in a hydraulically released, spring actuated multi-disk brake for winch drives. When the load is lifted, the multiple-disk brake is closed and the inner ring is freewheeling. At a standstill, the freewheel functions as a backstop. The load is held by the brake and the locked freewheel. When lowering, the brake is released with control and the load is lowered via the locked freewheel. By using the freewheel, the hydraulic control could be designed in a simpler and more cost-effective manner.

with mounting flange
with rollers



23-1

Indexing Freewheel Overrunning Clutch Backstop	Standard type For universal use	Dimensions

Freewheel Size	Type	Flange and cover combination	Nominal torque Mn Nm	Max. speed Inner ring freewheels/ overruns min ⁻¹	Max. speed Outer ring freewheels/ overruns min ⁻¹	Bore d mm	A mm	D mm	F mm	G* mm	L mm	N mm	T mm	Z* mm	Weight kg
FGR 12	R	A1A2	55	2500	5400	12	85	62	1	M5	42	10,0	72	3	1,2
FGR 15	R	A1A2	130	2200	4800	15	92	68	1	M5	52	11,0	78	3	1,6
FGR 20	R	A1A2	180	1900	4100	20	98	75	1	M5	57	10,5	85	4	1,9
FGR 25	R	A1A2	290	1550	3350	25	118	90	1	M6	60	11,5	104	4	2,9
FGR 30	R	A1A2	500	1400	3050	30	128	100	1	M6	68	11,5	114	6	3,9
FGR 35	R	A1A2	730	1300	2850	35	140	110	1	M6	74	13,5	124	6	4,9
FGR 40	R	A1A2	1000	1150	2500	40	160	125	1	M8	86	15,5	142	6	7,5
FGR 45	R	A1A2	1150	1100	2400	45	165	130	1	M8	86	15,5	146	8	7,8
FGR 50	R	A1A2	2100	950	2050	50	185	150	1	M8	94	14,0	166	8	10,8
FGR 55	R	A1A2	2600	900	1900	55	204	160	1	M10	104	18,0	182	8	14,0
FGR 60	R	A1A2	3500	800	1800	60	214	170	1	M10	114	17,0	192	10	16,8
FGR 70	R	A1A2	6000	700	1600	70	234	190	1	M10	134	18,5	212	10	20,8
FGR 80	R	A1A2	6800	600	1400	80	254	210	1	M10	144	21,0	232	10	27,0
FGR 90	R	A1A2	11000	500	1300	90	278	230	1	M12	158	20,5	254	10	40,0
FGR 100	R	A1A2	20000	350	1100	100	335	270	1	M16	182	30,0	305	10	67,0
FGR 130	R	A1A2	31000	250	900	130	380	310	1	M16	212	29,0	345	12	94,0
FGR 150	R	A1A2	68000	200	700	150	485	400	1	M20	246	32,0	445	12	187,0

The maximum transmissible torque is 2 times the specified nominal torque. See page 14 for determination of selection torque.

Keyway according to DIN 6885, page 1 • Tolerance of keyway width JS10.

* Z = Number of fastening holes for screws G (DIN EN ISO 4762) on pitch circle T.

Mounting

Basic Freewheel, flange, cover, seals and screws are supplied loose. These must be assembled by the customer with regard to the required freewheeling direction into the Complete Freewheel. Prior to commissioning, the freewheel must be filled with oil of the specified quality. Upon request, assembled Complete Freewheels already oil-filled can be supplied.

The customer attachment part is centered on the external diameter D and bolted on via flange A1.

The tolerance of the shaft must be ISO h6 or j6 and the tolerance of the pilot diameter D of the attachment part must be ISO H7 or J7.

Example for ordering

Freewheel size FGR 25, standard type with flange A1 and cover A2:

- FGR 25 R A1A2

Basic Freewheel, flange, cover, seals and screws are supplied loose provided nothing else is stated in the order.

If assembled, oil-filled, Complete Freewheels are to be supplied, this must be specified in the order. When ordering, please also specify the freewheeling direction of the inner ring when viewed in direction X:

- counter-clockwise free or
- clockwise free

Complete Freewheels FGR ... R A2A7

with mounting flange
with rollers



24-1

Application as

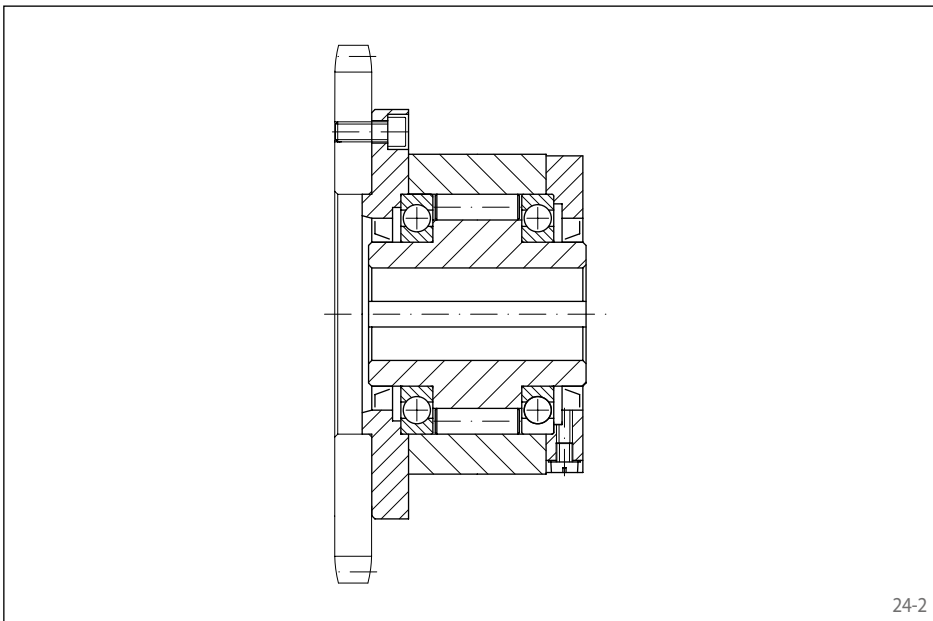
- ▶ Backstop
- ▶ Overrunning Clutch
- ▶ Indexing Freewheel

Features

Complete Freewheels FGR ... R A2A7 with mounting flange are sealed roller freewheels with ball bearings. They are oil lubricated.

Nominal torques up to 68 000 Nm.

Bores up to 150 mm.

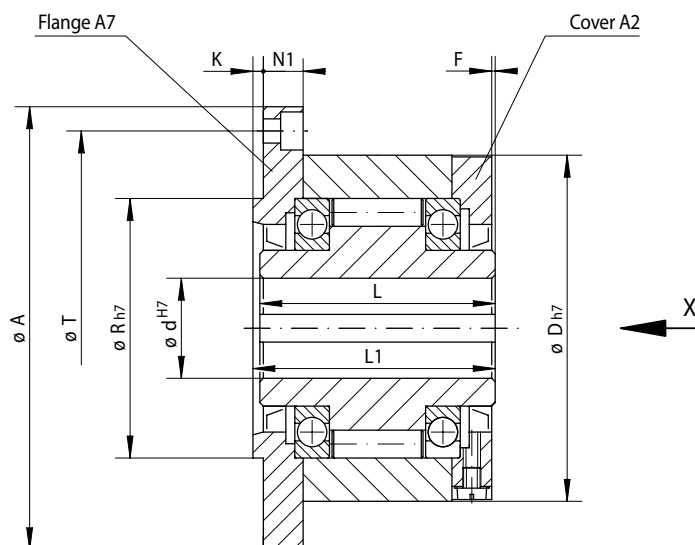


24-2

Application example

Complete Freewheel FGR 50 R A2A7 in a feed unit for sheet material. The drive is transmitted via the inner ring of the freewheel, which drives the feed rollers of the sprocket. Hence the sheet material is transported with the help of the freewheel. During the handover of the material into the next machine the material is able to overrun the drive unit.

with mounting flange
with rollers



25-1

Indexing Freewheel Overrunning Clutch Backstop	Standard type For universal use	Dimensions

Freewheel Size	Type	Flange and cover combination	Nominal torque Mn Nm	Max. speed Inner ring freewheels/ overruns min ⁻¹	Max. speed Outer ring freewheels/ overruns min ⁻¹	Bore d mm	A mm	D mm	F mm	G* mm	K mm	L mm	L1 mm	N1 mm	R mm	T mm	Z*	Weight kg
FGR 12	R	A2A7	55	2500	5400	12	85	62	1	M5	3,0	42	44	10,0	42	72	3	1,2
FGR 15	R	A2A7	130	2200	4800	15	92	68	1	M5	3,0	52	54	11,0	47	78	3	1,6
FGR 20	R	A2A7	180	1900	4100	20	98	75	1	M5	3,0	57	59	10,5	55	85	4	1,9
FGR 25	R	A2A7	290	1550	3350	25	118	90	1	M6	3,0	60	62	11,5	68	104	4	2,9
FGR 30	R	A2A7	500	1400	3050	30	128	100	1	M6	3,0	68	70	11,5	75	114	6	3,9
FGR 35	R	A2A7	730	1300	2850	35	140	110	1	M6	3,5	74	76	13,0	80	124	6	4,9
FGR 40	R	A2A7	1000	1150	2500	40	160	125	1	M8	3,5	86	88	15,0	90	142	6	7,5
FGR 45	R	A2A7	1150	1100	2400	45	165	130	1	M8	3,5	86	88	15,0	95	146	8	7,8
FGR 50	R	A2A7	2100	950	2050	50	185	150	1	M8	4,0	94	96	13,0	110	166	8	10,8
FGR 55	R	A2A7	2600	900	1900	55	204	160	1	M10	4,0	104	106	17,0	115	182	8	14,0
FGR 60	R	A2A7	3500	800	1800	60	214	170	1	M10	4,0	114	116	16,0	125	192	10	16,8
FGR 70	R	A2A7	6000	700	1600	70	234	190	1	M10	4,0	134	136	17,5	140	212	10	20,8
FGR 80	R	A2A7	6800	600	1400	80	254	210	1	M10	4,0	144	146	20,0	160	232	10	27,0
FGR 90	R	A2A7	11000	500	1300	90	278	230	1	M12	4,5	158	160	19,0	180	254	10	40,0
FGR 100	R	A2A7	20000	350	1100	100	335	270	1	M16	5,0	182	184	28,0	210	305	10	67,0
FGR 130	R	A2A7	31000	250	900	130	380	310	1	M16	5,0	212	214	27,0	240	345	12	94,0
FGR 150	R	A2A7	68000	200	700	150	485	400	1	M20	5,0	246	248	30,0	310	445	12	187,0

The maximum transmissible torque is 2 times the specified nominal torque. See page 14 for determination of selection torque.

Keyway according to DIN 6885, page 1 • Tolerance of keyway width JS10.

* Z = Number of fastening holes for screws G (DIN EN ISO 4762) on pitch circle T.

Mounting

Basic Freewheel, flange, cover, seals and screws are supplied loose. These must be assembled by the customer with regard to the required freewheeling direction into the Complete Freewheel. Prior to commissioning, the freewheel must be filled with oil of the specified quality. Upon request, assembled Complete Freewheels already oil-filled can be supplied.

The customer attachment part is centered on the pilot diameter R and bolted on to the face via flange A7. Hence, Complete Freewheels FGR ... R A2A7 are particularly suitable for attaching smaller and narrower parts (sprockets, gear wheels etc.).

The tolerance of the shaft must be ISO h6 or j6 and the tolerance of the pilot diameter R of the attachment part must be ISO H7 or J7.

Example for ordering

Freewheel size FGR 25, standard type with cover A2 and flange A7:

- FGR 25 R A2A7

Basic Freewheel, flange, cover, seals and screws are supplied loose provided nothing else is stated in the order.

If assembled, oil-filled, Complete Freewheels are to be supplied, this must be specified in the order. When ordering, please also specify the freewheeling direction of the inner ring when viewed in direction X:

- counter-clockwise free or
- clockwise free

Complete Freewheels BM

for keyway connection on the outer ring
with rollers or with sprag lift-off X



Application as

- ▶ Backstop
- ▶ Overrunning Clutch
- ▶ Indexing Freewheel

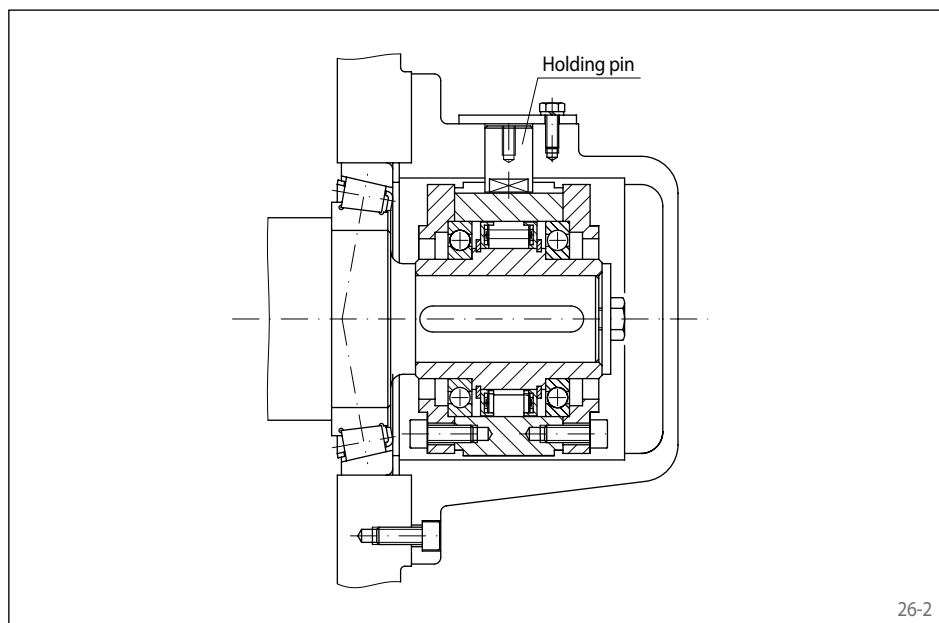
Features

Complete Freewheels BM are sealed freewheels with ball bearings. They are supplied oil-filled and ready for installation, on customer request with biodegradable oil.

Besides the standard type, the type with sprag lift-off X is available for wearfree freewheeling operation at high speed rotating inner ring.

Nominal torques up to 57 500 Nm.

Bores up to 150 mm. A multitude of standardized bore diameters are available with short delivery times.

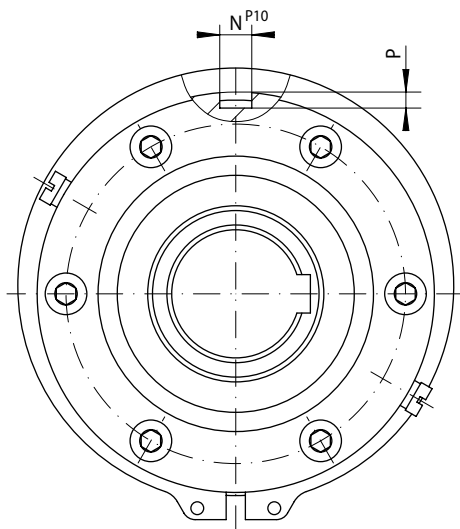


Application example

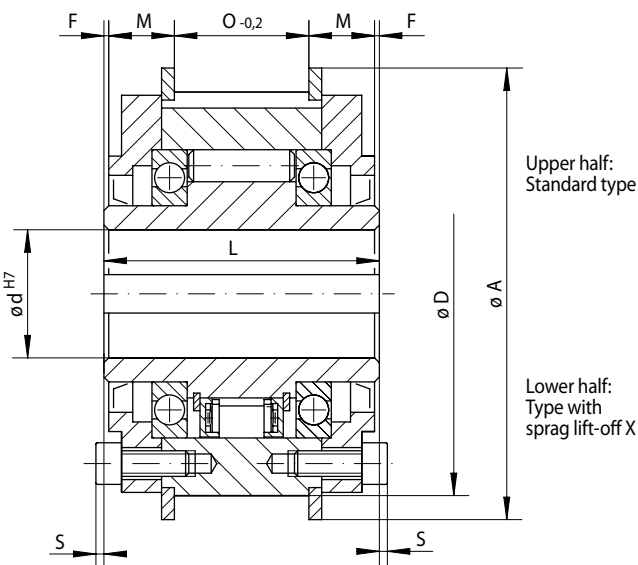
Complete Freewheel BM 60 SX as a backstop, arranged at the end of the intermediate shaft of a spur gearbox. The freewheel is used without the radial seal rings on each side, and is lubricated by the gearbox oil. A radial holding pin engages in the keyway of the outer ring. The backdriving torque is supported by the holding pin in the stationary housing. By removing the radial holding pin, the installation can be turned in both directions in order to carry out maintenance work. With the high shaft speed in normal operation (freewheeling operation), the type with sprag lift-off X is used; the sprags work in freewheeling operation without contact and hence are wear-free.

Complete Freewheels BM

for keyway connection on the outer ring
with rollers or with sprag lift-off X



27-1



27-2

Indexing Freewheel Overrunning Clutch Backstop	Standard type For universal use	Type with sprag lift-off X For extended service life using sprag lift-off at high speed rotating inner ring	Dimensions	

Freewheel Size	Type	Nominal torque Mn Nm	Max. speed		Type	Nominal torque Mn Nm	Sprag lift-off at inner ring speed min ⁻¹	Max. speed		Bore d		A	D	F	L	M	N	O	P	S	Weight kg
			Inner ring freewheels/ overruns min ⁻¹	Outer ring freewheels/ overruns min ⁻¹				Inner ring freewheels/ overruns min ⁻¹	Outer ring drives min ⁻¹	Standard mm	max. mm										
BM 12	R	150	1750	3500						15	15	84	70	0,75	68	15,75	5	35	3,0	3,0	1,5
BM 15	R	230	1650	3300						20	20	94	80	0,75	70	15,75	5	37	3,0	3,0	2,0
BM 18	R	340	1550	3100						25	25	111	95	0,75	70	16,25	8	36	4,0	3,0	2,9
BM 20	R	420	1450	2900	DX	420	750	1700	300	30	30	121	105	0,75	77	20,25	8	35	4,0	2,5	3,8
BM 25	R	800	1250	2500	DX	700	700	1600	280	40	40	144	125	0,75	93	22,25	10	47	5,0	2,5	6,6
BM 28	R	1200	1100	2200						45	45	155	135	0,75	95	23,25	12	47	5,0	4,0	7,8
BM 30	R	1600	1000	2000	DX	1250	630	1600	252	50	50	171	150	0,75	102	24,25	12	52	5,0	4,0	10,3
BM 35	R	1800	900	1800						55	55	182	160	0,75	110	24,25	14	60	5,5	4,0	12,5
BM 40	R	3500	800	1600	SX	1900	430	1500	172	60	60	202	180	0,75	116	25,25	16	64	6,0	6,5	17,4
BM 45	R	7100	750	1500	SX	2300	400	1500	160	70	70	218	195	1,25	130	24,75	20	78	7,5	8,5	22,4
BM 50	R	7500	700	1400						75	75	227	205	1,25	132	26,75	20	76	7,5	8,5	24,2
BM 52	R	9300	650	1300	SX	5600	320	1500	128	80	80	237	215	1,75	150	33,75	25	79	9,0	8,5	31,1
BM 55	R	12500	550	1100	SX	7700	320	1250	128	90	90	267	245	1,75	170	35,25	25	96	9,0	6,5	45,6
BM 60	R	14500	500	1000	SX	14500	250	1100	100	100	105	314	290	1,75	206	40,25	28	122	10,0	6,5	78,2
BM 70	R	22500	425	850	SX	21000	240	1000	96	120	120	350	320	1,25	215	44,75	28	123	10,0	9,0	93,4
BM 80	R	25000	375	750						130	130	380	350	1,75	224	46,25	32	128	11,0	8,5	116,8
BM 90	R	33500	350	700						140	140	400	370	2,75	236	49,25	32	132	11,0	7,5	136,7
BM 95	R	35000	300	600						150	150	420	390	2,75	249	53,25	36	137	12,0	6,5	159,3
BM 100	R	57500	250	500	UX	42500	210	750	84	150	150	450	410	3,75	276	56,25	36	156	12,0	11,5	198,4

The maximum transmissible torque is 2 times the specified nominal torque. See page 14 for determination of selection torque.
Keyway according to DIN 6885, page 1 • Tolerance of keyway width JS10.

Mounting

The customer attachment part is connected via a keyway connection with the outer ring. The customer must provide the key required for assembling the attachment part.

The tolerance of the shaft must be ISO h6 or j6 and the tolerance of the pilot diameter D of the attachment part must be ISO H7 or J7.

Example for ordering

Freewheel size BM 20, standard type and 30 mm bore:

- BM 20 R, d = 30 mm

Complete Freewheels FGRN ... R A5A6

for keyway connection on the outer ring
with rollers



Application as

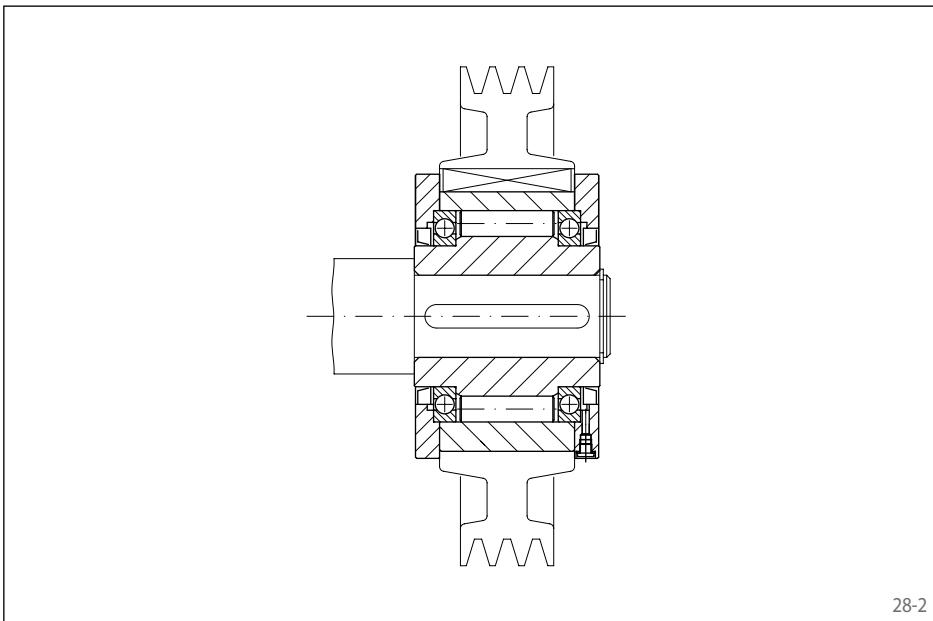
- ▶ Backstop
- ▶ Overrunning Clutch
- ▶ Indexing Freewheel

Features

Complete Freewheels FGRN ... R A5A6 are sealed roller freewheels with ball bearings. They are oil lubricated.

Nominal torques up to 6800 Nm.

Bores up to 80 mm.

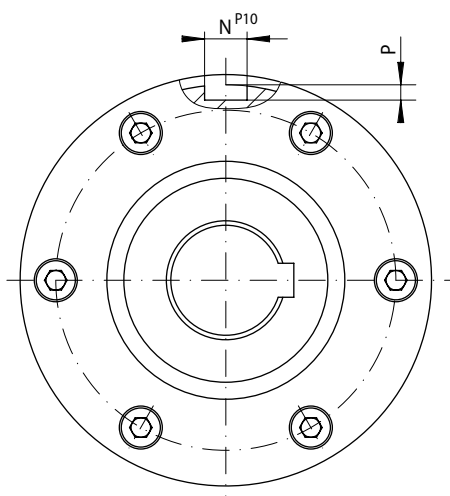


Application example

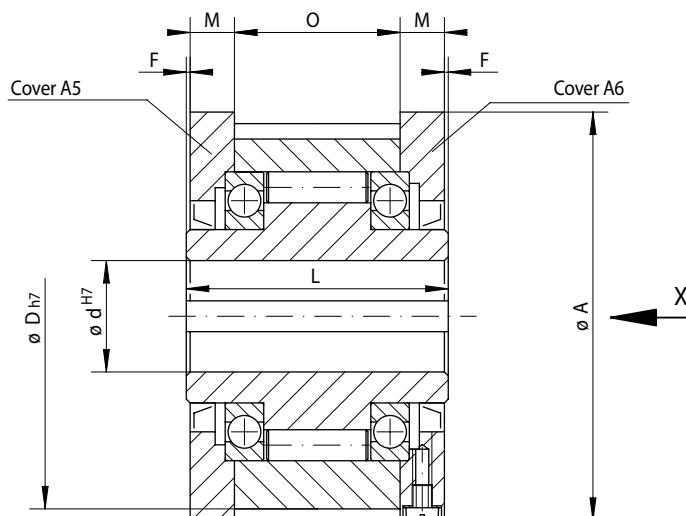
Complete Freewheel FGRN 45 R as an overrunning clutch on the shaft end of a mobile fan. In normal operation, the fan is driven by a diesel motor via the V-belt drive. By doing so, the freewheel works in driving operation. When the motor is turned off, the freewheel automatically disengages the rotating flywheel mass of the fan from the drive. In this operating state, the inner ring overruns the stationary outer ring; the freewheel works in freewheeling operation.

Complete Freewheels FGRN ... R A5A6

for keyway connection on the outer ring
with rollers



29-1



29-2

Indexing Freewheel Overrunning Clutch Backstop	Standard type For universal use	Dimensions

Freewheel Size	Type	Cover combination	Nominal torque Mn Nm	Max. speed Inner ring freewheels/ overruns min ⁻¹	Max. speed Outer ring freewheels/ overruns min ⁻¹	Bore d mm	A mm	D mm	F mm	L mm	M mm	N mm	P mm	O mm	Weight kg
FGRN 12	R	A5A6	55	2500	5400	12	70	62	1	42	10,0	4	2,5	20	1,2
FGRN 15	R	A5A6	130	2200	4800	15	76	68	1	52	11,0	5	3,0	28	1,6
FGRN 20	R	A5A6	180	1900	4100	20	84	75	1	57	10,5	6	3,5	34	1,9
FGRN 25	R	A5A6	290	1550	3350	25	99	90	1	60	11,5	8	4,0	35	2,9
FGRN 30	R	A5A6	500	1400	3050	30	109	100	1	68	11,5	8	4,0	43	3,9
FGRN 35	R	A5A6	730	1300	2850	35	119	110	1	74	13,5	10	5,0	45	4,9
FGRN 40	R	A5A6	1000	1150	2500	40	135	125	1	86	15,5	12	5,0	53	7,5
FGRN 45	R	A5A6	1150	1100	2400	45	140	130	1	86	15,5	14	5,5	53	7,8
FGRN 50	R	A5A6	2100	950	2050	50	160	150	1	94	14,0	14	5,5	64	10,8
FGRN 55	R	A5A6	2600	900	1900	55	170	160	1	104	18,0	16	6,0	66	14,0
FGRN 60	R	A5A6	3500	800	1800	60	182	170	1	114	17,0	18	7,0	78	16,8
FGRN 70	R	A5A6	6000	700	1600	70	202	190	1	134	18,5	20	7,5	95	20,8
FGRN 80	R	A5A6	6800	600	1400	80	222	210	1	144	21,0	22	9,0	100	27,0

The maximum transmissible torque is 2 times the specified nominal torque. See page 14 for determination of selection torque.
Keyway according to DIN 6885, page 1 • Tolerance of keyway width JS10.

Mounting

Basic Freewheel, covers, seals and screws are supplied loose. These must be assembled by the customer with regard to the required free-wheeling direction into the Complete Freewheel. Prior to commissioning, the free-wheel must be filled with oil of the specified quality. Upon request, assembled Complete Freewheels already oil-filled can be supplied.

The customer attachment part is connected via a keyway connection with the outer ring. The customer must provide the key required for assembling the attachment part.

The tolerance of the shaft must be ISO h6 or j6 and the tolerance of the pilot diameter D of the attachment part must be ISO H7 or J7.

Example for ordering

Freewheel size FGRN 60, standard type with flange A5 and cover A6:

- FGRN 60 R A5A6

Basic Freewheel, covers, seals and screws are supplied loose provided nothing else is stated in the order.

If assembled, oil-filled, Complete Freewheels are to be supplied, this must be specified in the order. When ordering, please also specify the free-wheeling direction of the inner ring when viewed in direction X:

- counter-clockwise free or
- clockwise free

Complete Freewheels BA

with lever arm

with rollers or with sprag lift-off X



Application as

▶ Backstop

Features

Complete Freewheels BA with lever arm are sealed freewheels with ball bearings.

The freewheels BA have an end cover and are fitted to shaft ends. The oil filling is carried out after the freewheel has been fitted to the end of the shaft.

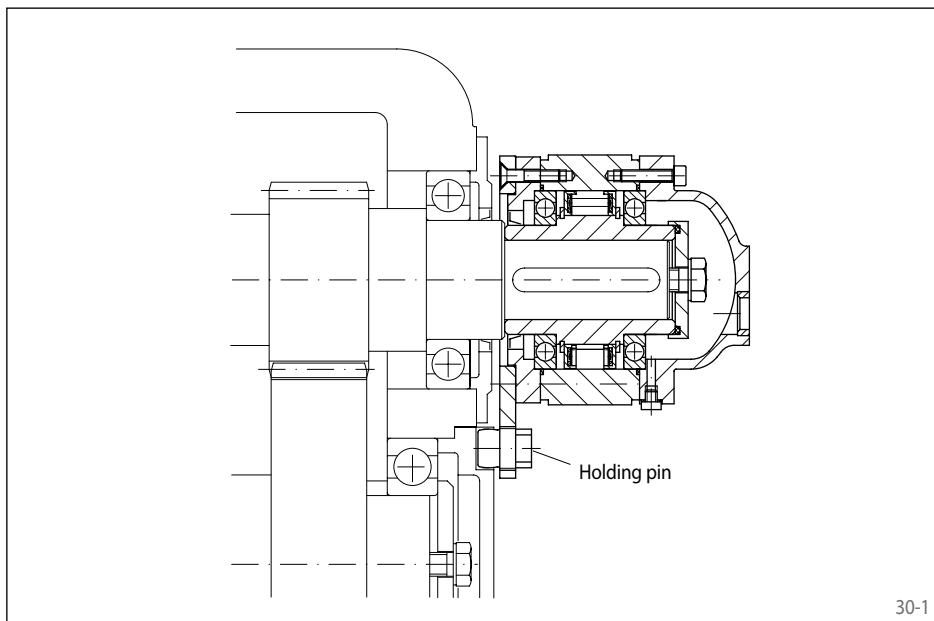
Besides the standard type, the type with sprag lift-off X is available for wear-free freewheeling operation at high speed rotating inner ring.

Nominal torques up to 57 500 Nm.

Bores up to 150 mm. A multitude of standardized bore diameters are available with short delivery times.

Application example

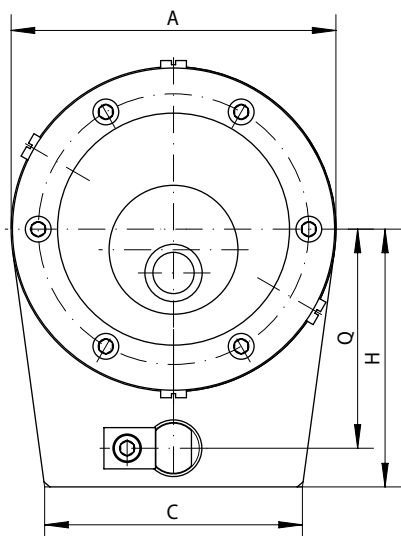
Complete Freewheel BA 45 SX as a backstop, arranged at the end of the intermediate shaft of a spur gearbox. The backdriving torque is supported by the lever arm with holding pin on the gearbox housing. If the holding pin is removed, the shaft can be turned in both directions. With the high shaft speed in normal operation (freewheeling operation), the type with sprag lift-off X is used; the sprags work in freewheeling operation without contact and hence are wear-free.



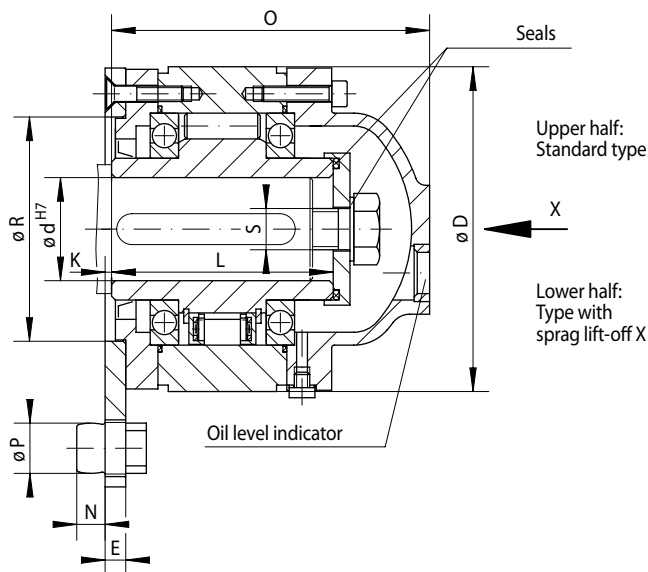
Complete Freewheels BA

with lever arm

with rollers or with sprag lift-off X



31-1



31-2

Backstop	Standard type For universal use	Type with sprag lift-off X For extended service life using sprag lift-off at high speed rotating inner ring	Dimensions																	

Freewheel Size	Type	Nominal torque M_N Nm	Max. speed Inner ring freewheels min^{-1}	Type	Nominal torque M_N Nm	Sprag lift-off at inner ring speed min^{-1}	Max. speed Inner ring freewheels min^{-1}	Bore d		A	C	D	E	H	K	L	N	O	P	Q	R	S for screw	Weight kg
								Standard mm	max. mm														
BA 12	R	150	1750					15	15	71	50	71	8	53	4,5	68	9	91	11,5	42	45	M6	2
BA 15	R	230	1650					20	20	81	60	81	8	62	4,5	70	9	93	13,5	50	50	M6	3
BA 18	R	340	1550					25	25	96	70	96	8	73	4,5	70	9	96	15,5	60	60	M10	4
BA 20	R	420	1450	DX	400	750	1700	30	30	110	90	106	8	80	2,5	77	11	104	19,5	65	70	M10	5
BA 25	R	800	1250	DX	650	700	1600	40	40	126	100	126	8	90	2,5	93	11	125	19,5	75	80	M12	8
BA 28	R	1200	1100					45	45	140	110	136	10	105	3,5	95	14	129	24,5	85	90	M12	9
BA 30	R	1600	1000	DX	1100	630	1600	50	50	155	120	151	10	120	3,5	102	16	140	27,5	95	100	M16	12
BA 35	R	1800	900					55	55	170	130	161	10	140	3,5	110	19	151	33,5	112	110	M16	15
BA 40	R	3500	800	SX	1400	430	1500	60	60	190	150	181	12	160	5,5	116	22	160	37,5	130	120	M16	20
BA 45	R	7100	750	SX	2300	400	1500	70	70	210	160	196	14	175	7,0	130	26	176	41,5	140	130	M16	25
BA 50	R	7500	700					75	75	220	180	206	14	185	7,0	132	26	178	41,5	150	140	M16	30
BA 52	R	9300	650	SX	4900	320	1500	80	80	230	190	216	14	200	4,5	150	26	208	41,5	160	150	M20	35
BA 55	R	12500	550	SX	6500	320	1250	90	90	255	200	246	15	210	3,5	170	29	228	49,5	170	160	M20	50
BA 60	R	14500	500	SX	14500	250	1100	100	105	295	220	291	20	250	8,5	206	35	273	60,0	200	190	M24	91
BA 70	R	22500	425	SX	21000	240	1000	120	120	335	260	321	25	280	14,0	215	39	291	65,0	225	210	M24	115
BA 80	R	25000	375					130	130	360	280	351	30	280	18,5	224	39	302	65,0	225	220	M24	150
BA 90	R	33500	350					140	140	385	300	371	35	310	22,5	236	55	314	70,0	250	240	M30	180
BA 95	R	35000	300					150	150	400	350	391	40	310	27,5	249	55	337	70,0	250	250	M30	225
BA 100	R	57500	250	UX	42500	210	750	150	150	420	380	411	45	345	31,5	276	60	372	80,0	280	270	M30	260

The maximum transmissible torque is 2 times the specified nominal torque. See page 14 for determination of selection torque.

Keyway according to DIN 6885, page 1 • Tolerance of keyway width JS10.

Mounting

The backdriving torque is supported by the lever arm with holding pin. The holding pin engages in a slot or bore in the frame of the machine. It must have 0,5 to 2 mm play in the axial and radial directions. If the holding pin is removed, the shaft can be turned in both directions.

The tolerance of the shaft must be ISO h6 or j6. For freewheels BA, the inner ring must be secured axially with the supplied retainer plate. Prior to commissioning, the freewheel must be filled with oil of the specified quality.

Example for ordering

Freewheel size BA 30, type with sprag lift-off X and 50 mm bore:

- BA 30 DX, d = 50 mm

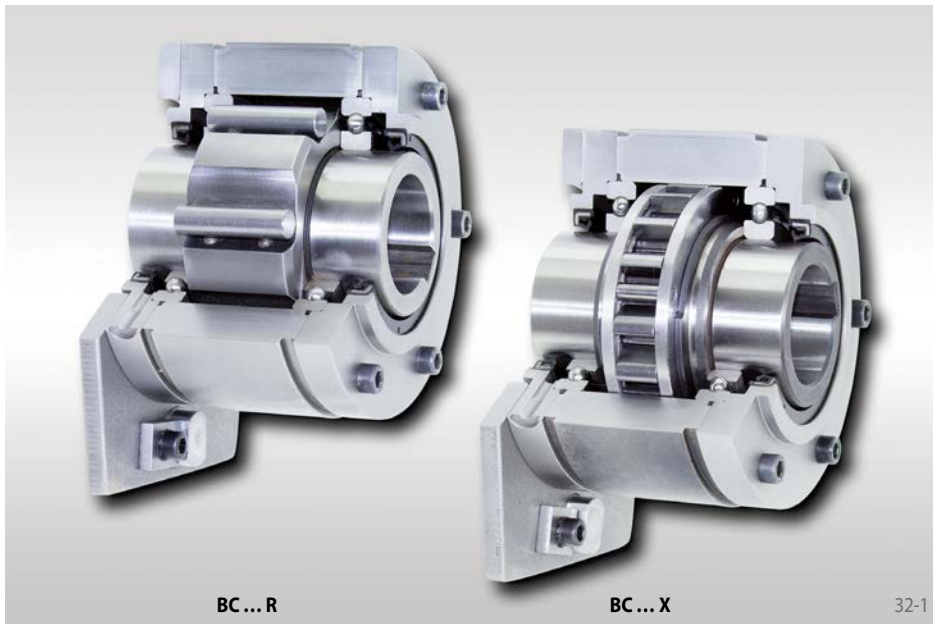
When ordering, please also specify the free-wheeling direction of the inner ring when viewed in direction X:

- counter-clockwise free or
- clockwise free

Complete Freewheels BC

with lever arm

with rollers or with sprag lift-off X



Application as

▶ Backstop

Features

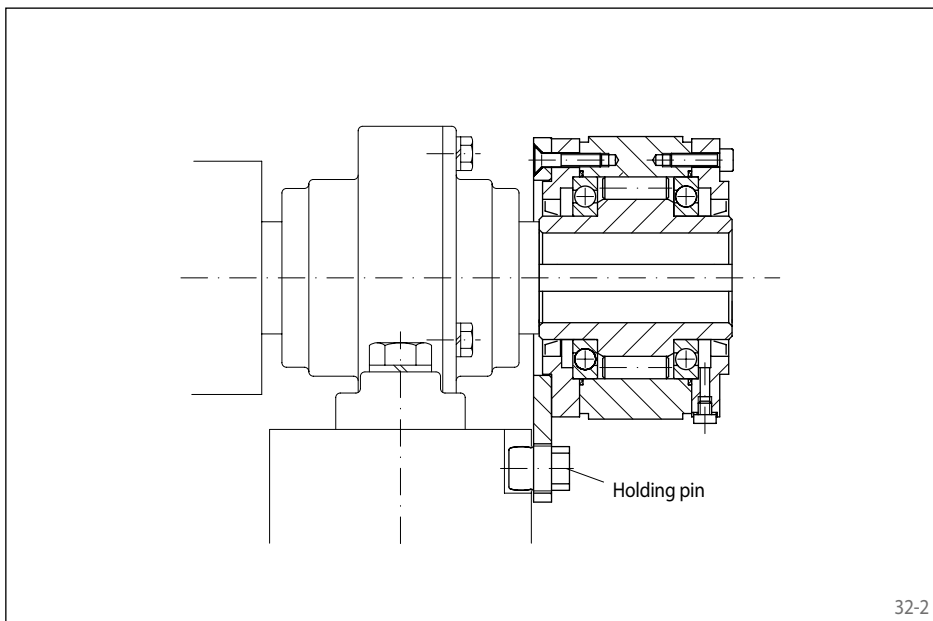
Complete Freewheels BC with lever arm are sealed freewheels with ball bearings.

Freewheels BC are supplied oil-filled and ready for installation, on customer request with bio-degradable oil. They are arranged on through shafts or shaft ends.

Besides the standard type, the type with sprag lift-off X is available for wear-free freewheeling operation at high speed rotating inner ring.

Nominal torques up to 57 500 Nm.

Bores up to 150 mm. A multitude of standardized bore diameters are available with short delivery times.

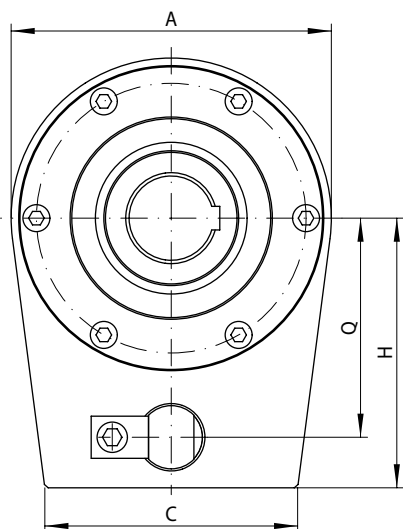


Application example

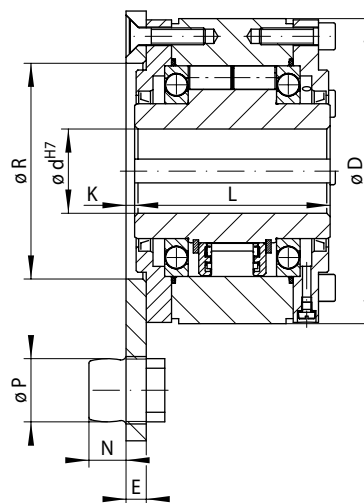
Complete Freewheel BC 90 R as a backstop on the end of a transport roller. The backdriving torque is supported by the lever arm with holding pin on the base. If the holding pin is removed, the shaft can be turned in both directions.

with lever arm

with rollers or with sprag lift-off X



33-1



Upper half:
Standard type

Lower half:
Type with
sprag lift-off X

33-2

Backstop	Standard type	Type with sprag lift-off X	Dimensions																
	For universal use	For extended service life using sprag lift-off at high speed rotating inner ring																	

Freewheel Size	Type	Nominal torque M_N Nm	Max. speed Inner ring freewheels min^{-1}	Type	Nominal torque M_N Nm	Sprag lift-off at inner ring speed min^{-1}	Max. speed Inner ring freewheels min^{-1}	Bore d		A	C	D	E	H	K	L	N	O	P	Q	R	S for screw	Weight kg
								Standard mm	max. mm														
BC 12	R	150	1750					15	15	71	50	71	8	53	4,5	68	9	91	11,5	42	45	M6	2
BC 15	R	230	1650					20	20	81	60	81	8	62	4,5	70	9	93	13,5	50	50	M6	3
BC 18	R	340	1550					25	25	96	70	96	8	73	4,5	70	9	96	15,5	60	60	M10	4
BC 20	R	420	1450	DX	400	750	1700	30	30	110	90	106	8	80	2,5	77	11	104	19,5	65	70	M10	5
BC 25	R	800	1250	DX	650	700	1600	40	40	126	100	126	8	90	2,5	93	11	125	19,5	75	80	M12	8
BC 28	R	1200	1100					45	45	140	110	136	10	105	3,5	95	14	129	24,5	85	90	M12	9
BC 30	R	1600	1000	DX	1100	630	1600	50	50	155	120	151	10	120	3,5	102	16	140	27,5	95	100	M16	12
BC 35	R	1800	900					55	55	170	130	161	10	140	3,5	110	19	151	33,5	112	110	M16	15
BC 40	R	3500	800	SX	1400	430	1500	60	60	190	150	181	12	160	5,5	116	22	160	37,5	130	120	M16	20
BC 45	R	7100	750	SX	2300	400	1500	70	70	210	160	196	14	175	7,0	130	26	176	41,5	140	130	M16	25
BC 50	R	7500	700					75	75	220	180	206	14	185	7,0	132	26	178	41,5	150	140	M16	30
BC 52	R	9300	650	SX	4900	320	1500	80	80	230	190	216	14	200	4,5	150	26	208	41,5	160	150	M20	35
BC 55	R	12500	550	SX	6500	320	1250	90	90	255	200	246	15	210	3,5	170	29	228	49,5	170	160	M20	50
BC 60	R	14500	500	SX	14500	250	1100	100	105	295	220	291	20	250	8,5	206	35	273	60,0	200	190	M24	91
BC 70	R	22500	425	SX	21000	240	1000	120	120	335	260	321	25	280	14,0	215	39	291	65,0	225	210	M24	115
BC 80	R	25000	375					130	130	360	280	351	30	280	18,5	224	39	302	65,0	225	220	M24	150
BC 90	R	33500	350					140	140	385	300	371	35	310	22,5	236	55	314	70,0	250	240	M30	180
BC 95	R	35000	300					150	150	400	350	391	40	310	27,5	249	55	337	70,0	250	250	M30	225
BC 100	R	57500	250	UX	42500	210	750	150	150	420	380	411	45	345	31,5	276	60	372	80,0	280	270	M30	260

The maximum transmissible torque is 2 times the specified nominal torque. See page 14 for determination of selection torque.

Keyway according to DIN 6885, page 1 • Tolerance of keyway width JS10.

Mounting

The backdriving torque is supported by the lever arm with holding pin. The holding pin engages in a slot or bore in the frame of the machine. It must have 0,5 to 2 mm play in the axial and radial directions. If the holding pin is removed, the shaft can be turned in both directions.

The tolerance of the shaft must be ISO h6 or j6.

The freewheels BC are supplied oil-filled and ready for installation.

Example for ordering

Freewheel size BC 30, standard type and 50 mm bore:

- BC 30 R, d = 50 mm

When ordering, please also specify the free-wheeling direction of the inner ring when viewed in direction X:

- counter-clockwise free or
- clockwise free

with lever arm
with rollers



34-1

Application as

▶ Backstop

for applications with low to medium speeds in freewheeling operation.

Features

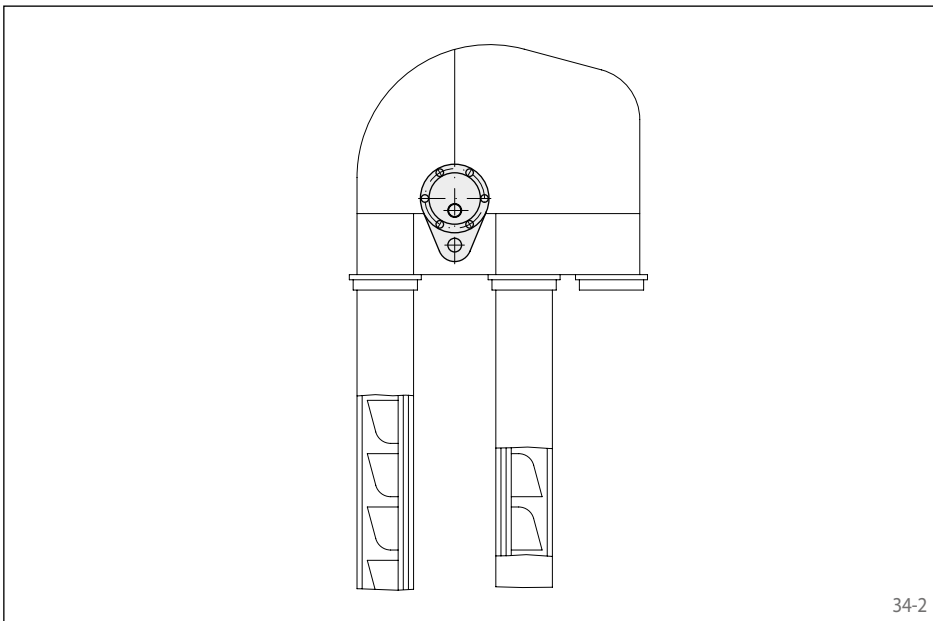
Complete Freewheel FGR ... R A3A4 with lever arm are sealed roller freewheels with ball bearings. They are oil lubricated.

The freewheels FGR ... R A3A4 have an end cover and are fitted to shaft ends.

The oil filling is carried out after the freewheel has been installed.

Nominal torques up to 68 000 Nm.

Bores up to 150 mm.

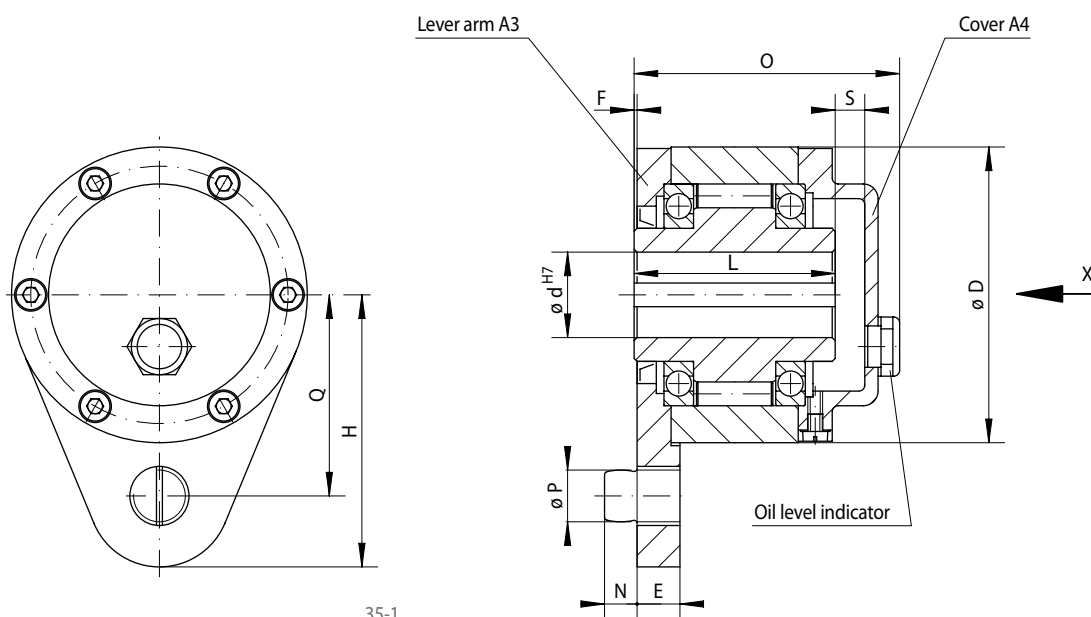


34-2

Application example

Complete Freewheel FGR 45 R A3A4 as a backstop on the opposite ends of the drive shaft of a bucket conveyor. In the case of a motor stop, the bucket conveyor must be held securely so that the conveyor goods do not pull the belt backwards and, in doing so, drive the motor quickly. The backdriving torque is supported by the lever arm with holding pin on the housing. If the holding pin is removed, the belt shaft can be turned in both directions.

with lever arm
with rollers



35-1

35-2

		Standard type For universal use		Dimensions												
Freewheel Size	Type	Lever arm and cover combination	Nominal torque M_N Nm	Max. speed Inner ring freewheels n min^{-1}	Bore d mm	D mm	E mm	F mm	H mm	L mm	N mm	O mm	P mm	Q mm	S mm	Weight kg
FGR 12	R	A3A4	55	2500	12	62	13	1	51	42	10	64	10	44	12	1,4
FGR 15	R	A3A4	130	2200	15	68	13	1	62	52	10	78	10	47	12	1,8
FGR 20	R	A3A4	180	1900	20	75	15	1	72	57	11	82	12	54	12	2,3
FGR 25	R	A3A4	290	1550	25	90	17	1	84	60	14	85	16	62	12	3,4
FGR 30	R	A3A4	500	1400	30	100	17	1	92	68	14	95	16	68	12	4,5
FGR 35	R	A3A4	730	1300	35	110	22	1	102	74	18	102	20	76	12	5,6
FGR 40	R	A3A4	1000	1150	40	125	22	1	112	86	18	115	20	85	13	8,5
FGR 45	R	A3A4	1150	1100	45	130	26	1	120	86	22	115	25	90	14	8,9
FGR 50	R	A3A4	2100	950	50	150	26	1	135	94	22	123	25	102	15	12,8
FGR 55	R	A3A4	2600	900	55	160	30	1	142	104	25	138	32	108	18	16,2
FGR 60	R	A3A4	3500	800	60	170	30	1	145	114	25	147	32	112	18	19,3
FGR 70	R	A3A4	6000	700	70	190	35	1	175	134	30	168	38	135	17	23,5
FGR 80	R	A3A4	6800	600	80	210	35	1	185	144	30	178	38	145	17	32,0
FGR 90	R	A3A4	11000	500	90	230	45	1	205	158	40	192	50	155	17	47,2
FGR 100	R	A3A4	20000	350	100	270	45	1	230	182	40	217	50	180	17	76,0
FGR 130	R	A3A4	31000	250	130	310	60	1	268	212	55	250	68	205	18	110,0
FGR 150	R	A3A4	68000	200	150	400	60	1	325	246	55	286	68	255	20	214,0

The maximum transmissible torque is 2 times the specified nominal torque. See page 14 for determination of selection torque.

Keyway according to DIN 6885, page 1 • Tolerance of keyway width JS10.

Mounting

The backdriving torque is supported by the lever arm with holding pin. The holding pin engages in a slot or bore in the frame of the machine. It must have 0,5 to 2 mm play in the axial and radial directions. If the holding pin is removed, the shaft can be turned in both directions.

The tolerance of the shaft must be ISO h6 or j6. For freewheels FGR ... R A3A4, the inner ring must be secured axially with the supplied retainer plate. Prior to commissioning, the freewheel must be filled with oil of the specified quality.

Example for ordering

Basic Freewheel, lever arm, cover, seals and screws are supplied loose provided nothing else is stated in the order.

Freewheel size FGR 25, standard type with lever arm A3 and cover A4:

- FGR 25 R A3A4

with lever arm
with rollers



36-1

Application as

▶ Backstop

for applications with low to medium speeds in freewheeling operation.

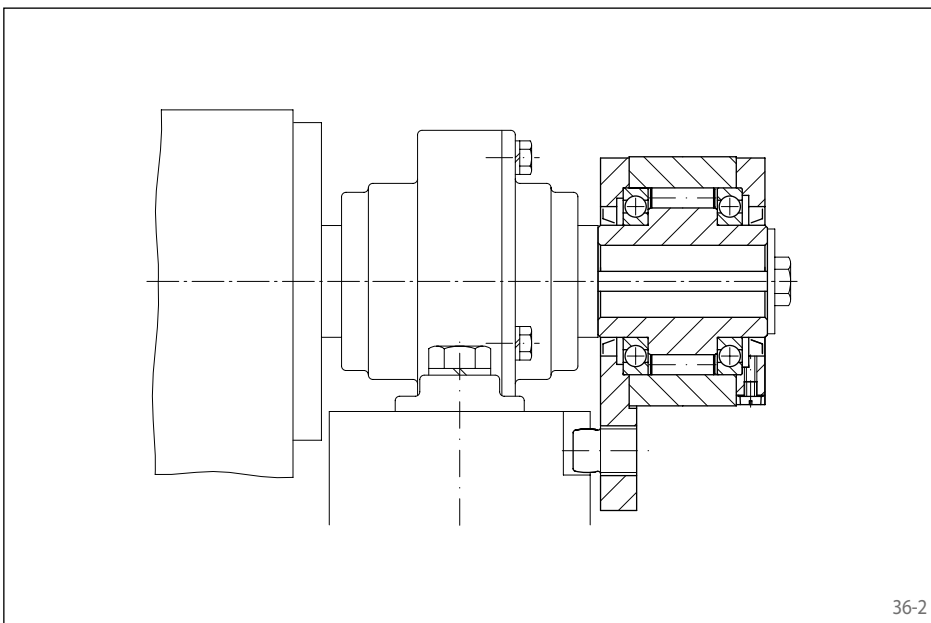
Features

Complete Freewheel FGR ... R A2A3 with lever arm are sealed roller freewheels with ball bearings. They are oil lubricated.

The freewheels FGR ... R A2A3 are arranged on through shafts or shaft ends.

Nominal torques up to 68 000 Nm.

Bores up to 150 mm.

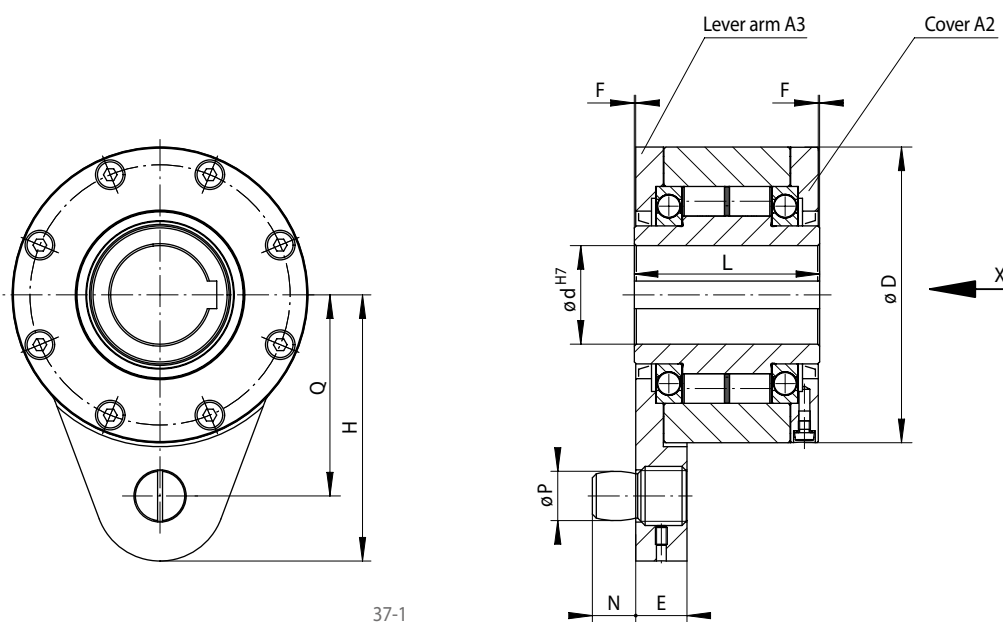


36-2

Application example

Complete Freewheel FGR ... R A2A3 as backstop at the end of an inclined conveyor belt. The backdriving torque is held by lever arm with holding pin on the fundament. When the holding pin is dismantled the conveyor belt can be turned in both directions.

with lever arm
with rollers



37-1

37-2

		Standard type For universal use		Dimensions													
Freewheel Size	Type	Lever arm and cover combination	Nominal torque M_N Nm	Max. speed Inner ring freewheels min^{-1}	Bore d mm	D mm	E mm	F mm	H mm	L mm	N mm	O mm	P mm	Q mm	S mm	Weight kg	
FGR 12	R	A2A3	55	2500	12	62	13	1	51	42	10	64	10	44	12	1,4	
FGR 15	R	A2A3	130	2200	15	68	13	1	62	52	10	78	10	47	12	1,8	
FGR 20	R	A2A3	180	1900	20	75	15	1	72	57	11	82	12	54	12	2,3	
FGR 25	R	A2A3	290	1550	25	90	17	1	84	60	14	85	16	62	12	3,4	
FGR 30	R	A2A3	500	1400	30	100	17	1	92	68	14	95	16	68	12	4,5	
FGR 35	R	A2A3	730	1300	35	110	22	1	102	74	18	102	20	76	12	5,6	
FGR 40	R	A2A3	1000	1150	40	125	22	1	112	86	18	115	20	85	13	8,5	
FGR 45	R	A2A3	1150	1100	45	130	26	1	120	86	22	115	25	90	14	8,9	
FGR 50	R	A2A3	2100	950	50	150	26	1	135	94	22	123	25	102	15	12,8	
FGR 55	R	A2A3	2600	900	55	160	30	1	142	104	25	138	32	108	18	16,2	
FGR 60	R	A2A3	3500	800	60	170	30	1	145	114	25	147	32	112	18	19,3	
FGR 70	R	A2A3	6000	700	70	190	35	1	175	134	30	168	38	135	17	23,5	
FGR 80	R	A2A3	6800	600	80	210	35	1	185	144	30	178	38	145	17	32,0	
FGR 90	R	A2A3	11000	500	90	230	45	1	205	158	40	192	50	155	17	47,2	
FGR 100	R	A2A3	20000	350	100	270	45	1	230	182	40	217	50	180	17	76,0	
FGR 130	R	A2A3	31000	250	130	310	60	1	268	212	55	250	68	205	18	110,0	
FGR 150	R	A2A3	68000	200	150	400	60	1	325	246	55	286	68	255	20	214,0	

The maximum transmissible torque is 2 times the specified nominal torque. See page 14 for determination of selection torque.
Keyway according to DIN 6885, page 1 • Tolerance of keyway width JS10.

Mounting

The backdriving torque is supported by the lever arm with holding pin. The holding pin engages in a slot or bore in the frame of the machine. It must have 0,5 to 2 mm play in the axial and radial directions. If the holding pin is removed, the shaft can be turned in both directions.

The tolerance of the shaft must be ISO h6 or j6.

Example for ordering

Basic Freewheel, lever arm, cover, seals and screws are supplied loose provided nothing else is stated in the order.

Freewheel size FGR 25, standard type with cover A2 and lever arm A3:

- FGR 25 R A2A3

If assembled, oil-filled, Complete Freewheels FGR ... R A2A3 are to be supplied, this must be specified in the order. When ordering, please also specify the freewheeling direction of the inner ring when viewed in direction X:

- counter-clockwise free or
- clockwise free

Complete Freewheels FA

with lever arm

with sprags and grease lubrication



38-1

Application as

- ▶ Backstop
- ▶ Indexing Freewheel

For application as backstop in installations with low speeds in freewheeling operation. For application as indexing freewheel in installations with low to medium total number of actuations.

Features

Complete Freewheels FA with lever arm are sprag freewheels with sleeve bearings. They are grease-lubricated and therefore maintenance-free.

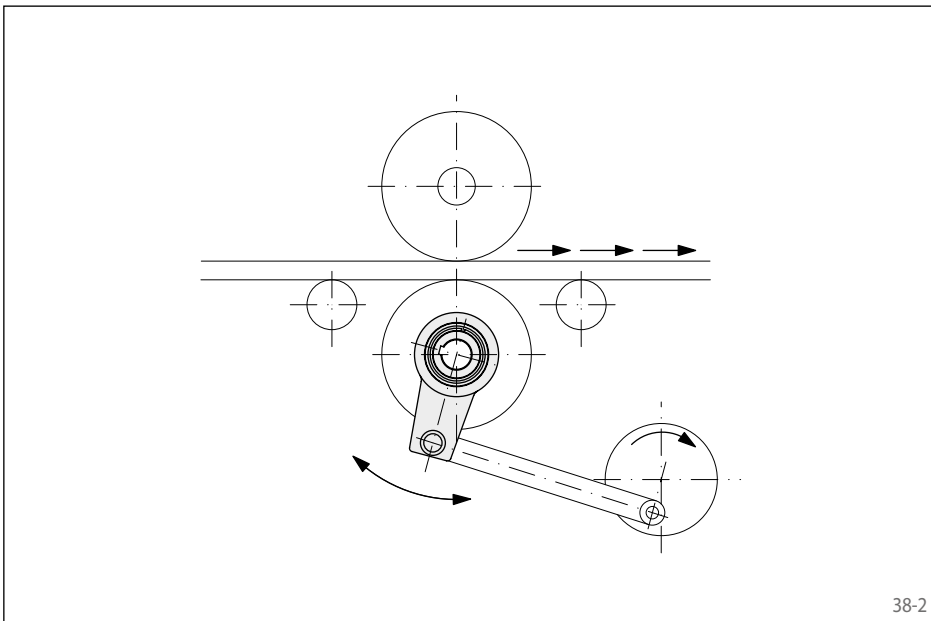
Besides the standard type, the type with RIDUVIT® is available for extended service life.

Nominal torques up to 2500 Nm.

Bores up to 85 mm. A multitude of standardized bore diameters are available with short delivery times.

Application example

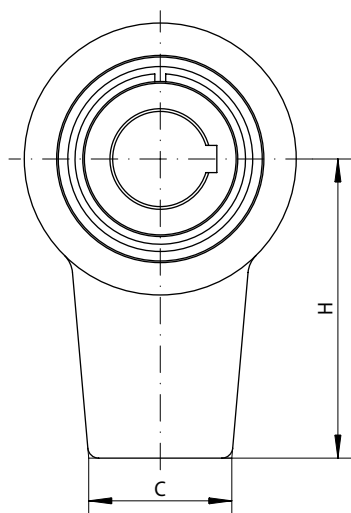
Complete Freewheel FA 82 SFT as an indexing freewheel for the material feed of a punch. The freewheel is driven by a bell crank. The RIDUVIT® sprags give the freewheel an extended service life.



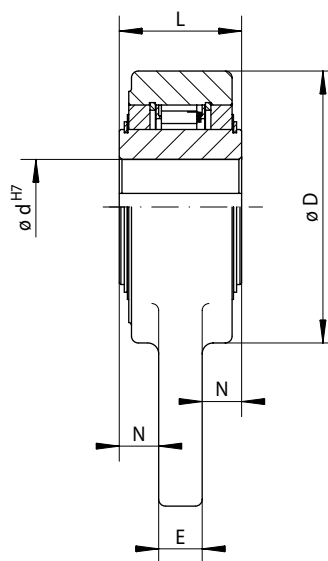
38-2

with lever arm

with sprags and grease lubrication



39-1



39-2

Indexing Freewheel Backstop	Standard type For universal use	Type with RIDUVIT® For extended service life with coated sprags	Dimensions

Freewheel Size	Type	Nominal torque	Max. speed Inner ring freewheels	Type	Nominal torque	Max. speed Inner ring freewheels	Bore d		C	D	E	H	L	N	Weight
		M_N Nm	min ⁻¹		M_N Nm	min ⁻¹	Standard mm	max. mm							
FA 37	SF	230	250	SFT	230	500	20	25*	35	76	12	90	35	11,5	1,0
FA 57	SF	630	170	SFT	630	340	40	42*	50	100	16	125	45	14,5	2,5
FA 82	SF	1600	130	SFT	1600	260	50	65*	60	140	18	160	60	21,0	5,5
FA 107	SF	2500	90	SFT	2500	180	70	85*	80	170	20	180	65	22,5	8,5

The maximum transmissible torque is 2 times the specified nominal torque. See page 14 for determination of selection torque.

Keyway according to DIN 6885, page 1 • Tolerance of keyway width JS10.

* Keyway according to DIN 6885, page 3 • Tolerance of keyway width JS10.

Mounting

When used as a backstop, the backdriving torque is supported by the lever arm. The lever arm must not be clamped into position. It must have 0,5 to 2 mm play in the axial and radial directions.

When used as an indexing freewheel, the lever arm serves as the indexing lever.

The lever arm is not heat treated enabling the customer to provide their own holes.

The tolerance of the shaft must be ISO h6 or j6.

Example for ordering

Freewheel size FA 57, type with RIDUVIT® and 40 mm bore:

- FA 57 SFT, d = 40 mm

Complete Freewheels FAV

with lever arm

with rollers and grease lubrication



40-1

Application as

- ▶ Backstop
- ▶ Indexing Freewheel

For application as backstop in installations with low speeds in freewheeling operation.

For application as indexing freewheel in installations with low to medium total number of actuations.

Features

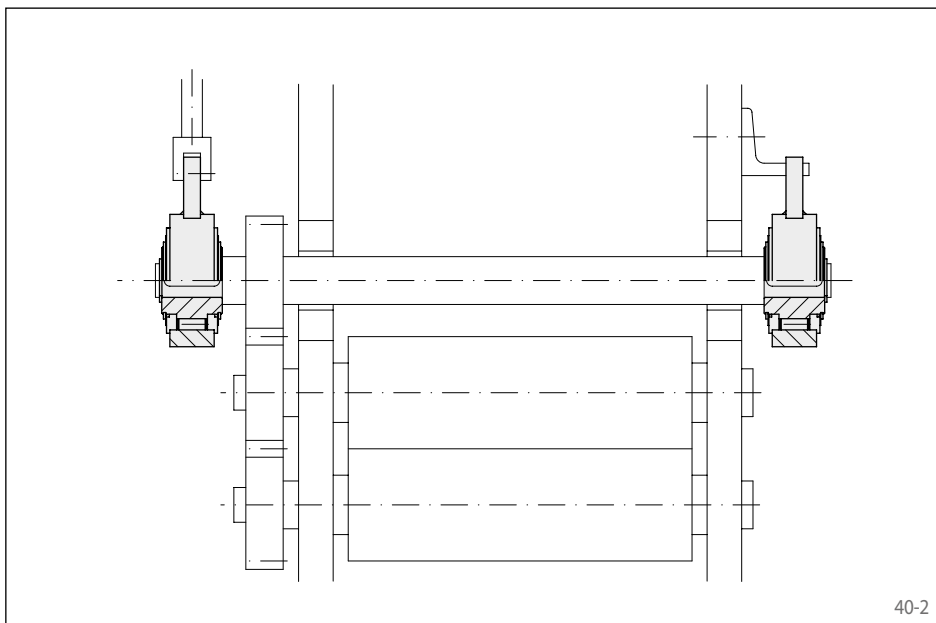
Complete Freewheels FAV with lever arm are roller freewheels with sleeve bearings. They are grease-lubricated and therefore maintenance-free.

Nominal torques up to 2500 Nm.

Bores up to 80 mm.

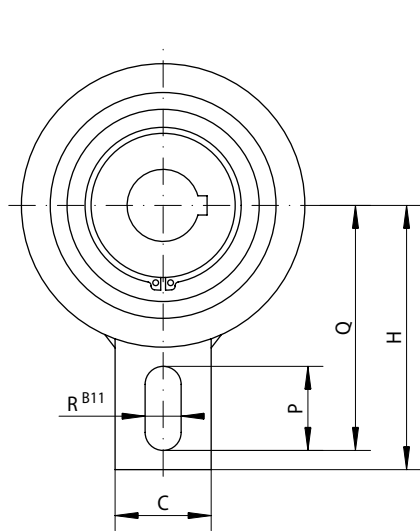
Application example

Two Complete Freewheels FAV 50 in the roller feed of a sheet metal processing machine. The indexing freewheel arranged on the left is driven via a bell crank with an adjustable lift. This enables an infinite setting of the feed. The backstop arranged on the right prevents the indexing rollers from running backwards while the indexing freewheel carries out its back stroke. Often, an additional small brake is provided in order to prevent the accelerated sheet metal strip from advancing.

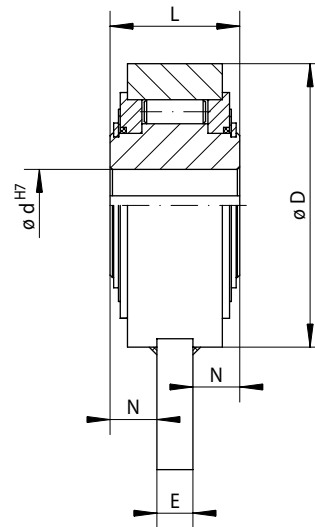


40-2

with lever arm
with rollers and grease lubrication



41-1



41-2

Indexing Freewheel Backstop	Standard type For universal use	Dimensions												

Freewheel Size	Nominal torque M_N Nm	Max. speed Inner ring freewheels min^{-1}	Bore d mm	C mm	D mm	E mm	H mm	L mm	N mm	P mm	Q mm	R mm	Weight kg
FAV 20	220	500	20	40	83	12	90	35	11,5	35	85	15	1,3
FAV 25	220	500	25	40	83	12	90	35	11,5	35	85	15	1,3
FAV 30	1025	350	30	40	118	15	110	54	19,5	35	102	15	3,5
FAV 35	1025	350	35	40	118	15	110	54	19,5	35	102	15	3,4
FAV 40	1025	350	40	40	118	15	110	54	19,5	35	102	15	3,3
FAV 45	1600	250	45	80	155	20	140	54	17,0	35	130	18	5,5
FAV 50	1600	250	50	80	155	20	140	54	17,0	35	130	18	5,4
FAV 55	1600	250	55	80	155	20	140	54	17,0	35	130	18	5,3
FAV 60	1600	250	60	80	155	20	140	54	17,0	35	130	18	5,2
FAV 70	1600	250	70	80	155	20	140	54	17,0	35	130	18	5,0
FAV 80	2500	220	80	80	190	20	155	64	22,0	40	145	20	9,0

The maximum transmissible torque is 2 times the specified nominal torque. See page 14 for determination of selection torque.
Keyway according to DIN 6885, page 1 • Tolerance of keyway width JS10.

Mounting

When used as a backstop, the backdriving torque is supported by the lever arm. The lever arm must not be clamped into position. It must have 0,5 to 2 mm play in the axial and radial directions.

When used as an indexing freewheel, the lever arm serves as the indexing lever.

The tolerance of the shaft must be ISO h6 or j6.

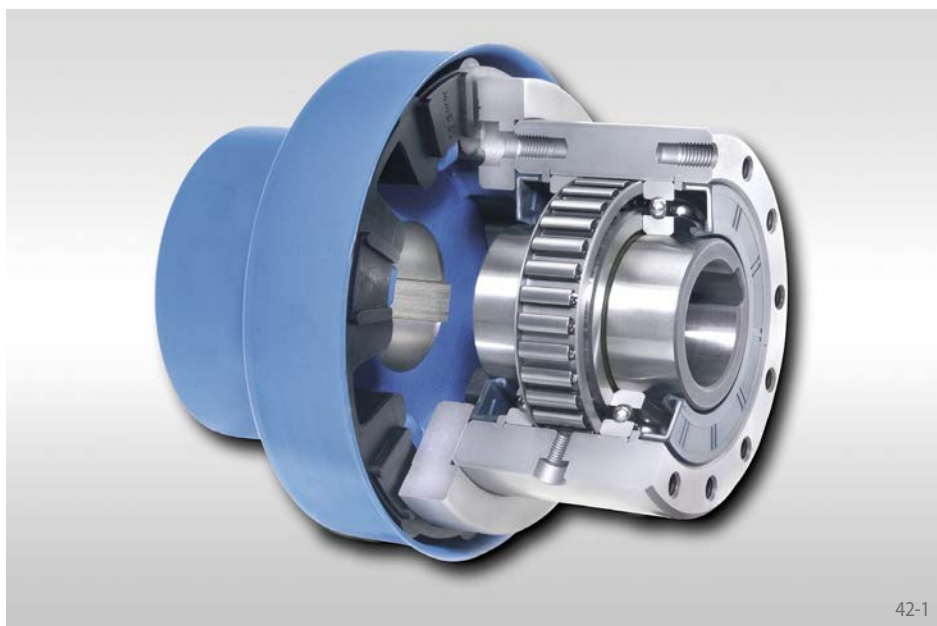
Example for ordering

Freewheel size FAV 60, standard type:

- FAV 60

Complete Freewheels FBE

with shaft coupling for small shaft misalignments
with sprags, available in three types



42-1

Application as

▶ Overrunning Clutch

Features

Complete Freewheels FBE with flexible shaft coupling are sealed sprag freewheels with ball bearings for coupling two aligned shafts. They are supplied oil-filled and ready for installation, on customer request with biodegradable oil.

In addition to the standard type, two other types are available for extended service life.

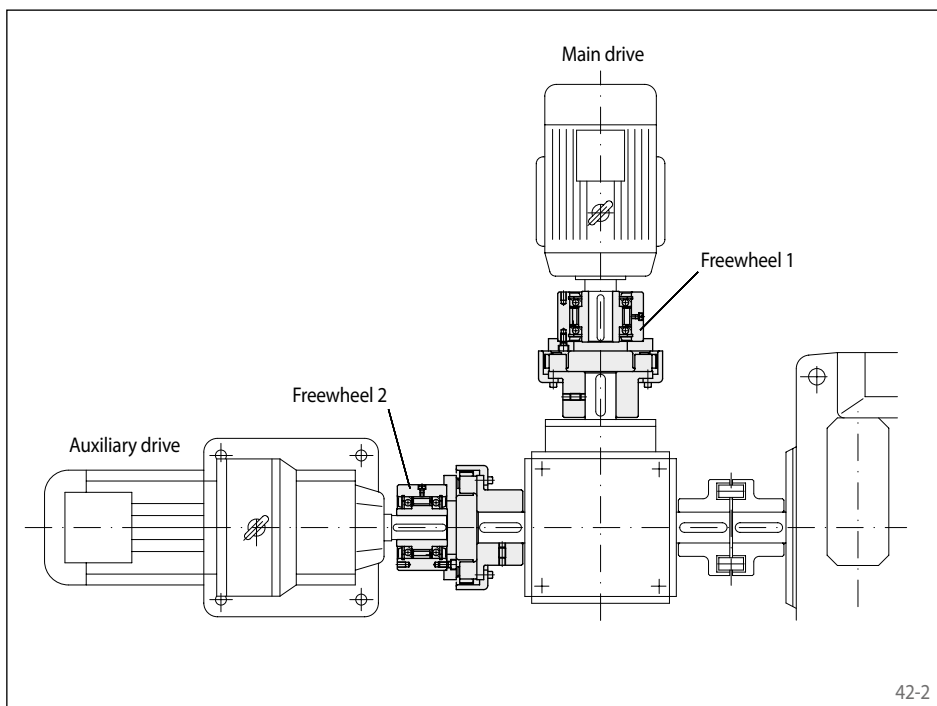
Nominal torques up to 160 000 Nm.

Bores up to 300 mm. Many standard bores are available.

The material of the flexible coupling element is oil-resistant. We can provide you with performance data for the flexible shaft coupling upon request.

Application example

Two Complete Freewheels FBE 72 with shaft coupling as an overrunning clutch in the drive unit of a tube mill with additional auxiliary drive. A freewheel FBE 72 SF, standard type (freewheel 1) is arranged between the main drive and the angular gear. However, a freewheel FBE 72 LZ, type with sprag lift-off Z (freewheel 2) is arranged between the auxiliary drive and the angular gear. If the gear motor is driving in the auxiliary power mode, freewheel 2 works in driving operation and freewheel 1 overruns at a low speed (freewheeling operation). When driving via the main motor, the unit is driven via freewheel 1 (driving operation). Freewheel 2 overruns and automatically disengages the auxiliary drive (freewheeling operation). With the high speed, the type with sprag lift-off Z is used; the sprags work in freewheeling operation without contact and hence are wear-free.



42-2

Mounting

The shaft coupling including the fastening screws are supplied loose. Depending on the desired freewheeling direction, the shaft coupling can be fitted on the right or the left of the freewheel.

The tolerance of the shaft must be ISO h6 or j6.

Example for ordering

Freewheel size FBE 107, standard type with 60 mm bore in the freewheel and 55 mm bore in the shaft coupling:

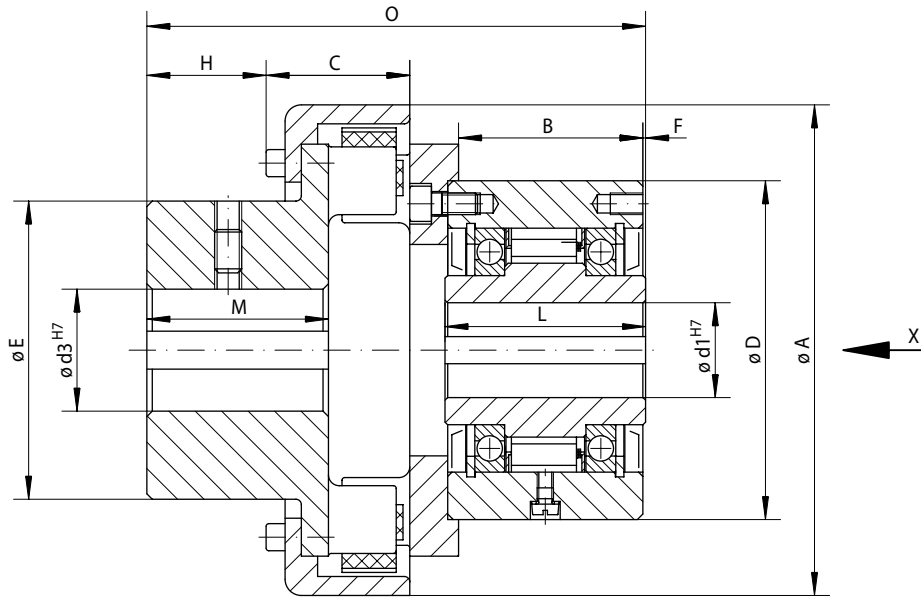
- FBE 107 SF, d1 = 60 mm, d3 = 55 mm

When ordering freewheel size FBE 340 and FBE 440, please also specify the freewheeling direction of the inner ring when viewed in direction X:

- counter-clockwise free or
- clockwise free

Complete Freewheels FBE

with shaft coupling for small shaft misalignments
with sprags, available in three types



43-1

Overrunning Clutch	Standard type For universal use	Type with RIDUVIT® For extended service life with coated sprags	Type with Sprag lift-off Z For extended service life using sprag lift-off at high speed rotating outer ring

Freewheel Size	Type	Nominal torque M _N Nm	Max. speed		Type	Nominal torque M _N Nm	Max. speed		Type	Nominal torque M _N Nm	Sprag lift-off at outer ring speed min ⁻¹	Max. speed	
			Inner ring overruns min ⁻¹	Outer ring overruns min ⁻¹			Inner ring overruns min ⁻¹	Outer ring overruns min ⁻¹				Outer ring overruns min ⁻¹	Inner ring drives min ⁻¹
FBE 24	CF	45	4800	5000	CFT	45	4800	5000					
FBE 29	CF	80	3500	4000	CFT	80	3500	4000					
FBE 37	SF	200	2500	2600	SFT	200	2500	2600	CZ	110	850	3000	340
FBE 44	SF	320	1900	2200	SFT	320	1900	2200	CZ	180	800	2600	320
FBE 57	SF	630	1400	1750	SFT	630	1400	1750	LZ	430	1400	2100	560
FBE 72	SF	1250	1120	1600	SFT	1250	1120	1600	LZ	760	1220	1800	488
FBE 82	SF	1800	1025	1450	SFT	1800	1025	1450	SFZ	1700	1450	1600	580
FBE 107	SF	2500	880	1250	SFT	2500	880	1250	SFZ	2500	1300	1350	520
FBE 127	SF	5000	800	1150	SFT	5000	800	1150	SFZ	5000	1200	1200	480
FBE 140	SF	10000	750	1100	SFT	10000	750	1100	SFZ	10000	950	1150	380
FBE 200	SF	20000	630	900	SFT	20000	630	900	SFZ	20000	680	900	272
FBE 270	SF	40000	510	750	SFT	40000	510	750	SFZ	37500	600	750	240
FBE 340	SF	80000	460	630	SFT	80000	460	630					
FBE 440	SF	160000	400	550	SFT	160000	400	550					

The maximum transmissible torque is 2 times the specified nominal torque. See page 14 for determination of selection torque.

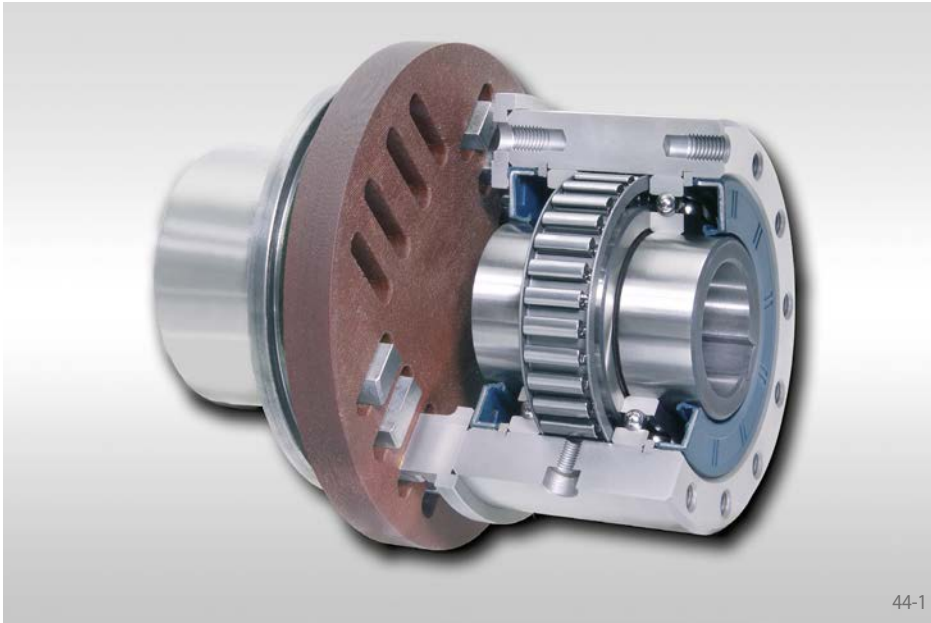
Freewheel Size	Bore d1		Bore d3			A	B	C	D	E	F	H	L	M	O	Weight kg
	Standard mm	max. mm	Standard mm	min. mm	max. mm											
FBE 24	12	14*	35	10	35	77	45	30	62	55	1,0	28	50	40	114,0	1,7
FBE 29	15	17*	40	10	40	90	47	33	68	65	1,0	32	52	45	123,0	2,4
FBE 37	20	22*	20	10	45	114	44	37	75	72	0,5	28	48	48	122,5	3,1
FBE 44	25*	25*	38	10	50	127	45	36	90	78	0,5	31	50	52	129,5	4,3
FBE 57	30	32*	30	20	60	158	60	48	100	96	0,5	39	65	61	162,5	7,3
FBE 72	40	42*	50	20	70	181	68	53	125	110	1,0	44	74	67	184,0	11,6
FBE 82	50*	50*	50	25	75	202	67	64	135	120	2,0	46	75	75	200,0	15,4
FBE 107	60	65*	60	30	80	230	81	75	170	130	2,5	48	90	82	230,0	24,9
FBE 127	70	75*	100	45	100	294	102	97	200	160	3,0	56	112	97	288,0	47,3
FBE 140	90	95*	90	60	120	330	135	100	250	200	5,0	80	150	116	350,0	93,3
FBE 200	120	120	120	85	160	432	143	141	300	255	5,0	104	160	160	408,0	169,0
FBE 270	140	150	180		180	553	190	197	400	300	6,0	145	212	230	512,0	320,0
FBE 340	180	240	100		235	725	240	235	500	390	7,5	173	265	285	637,5	580,0
FBE 440	220	300	100		265	832	290	247	630	435	7,5	183	315	310	737,5	1206,0

For bore d1: Keyway according to DIN 6885, page 1 • Keyway width tolerance JS10. * Keyway according to DIN 6885, page 3 • Keyway width tolerance JS10.

For bore d3: Keyway according to DIN 6885, page 1 • Keyway width tolerance P9

Complete Freewheels FBL

with shaft coupling for large shaft misalignments
with sprags, available in three types



Application as

▶ Overrunning Clutch

Features

Complete Freewheels FBL with RINGSPANN Shaft Coupling are sealed sprag freewheels with ball bearings for coupling two shafts. They are supplied oil-filled and ready for installation, on customer request with biodegradable oil.

In addition to the standard type, two other types are available for extended service life.

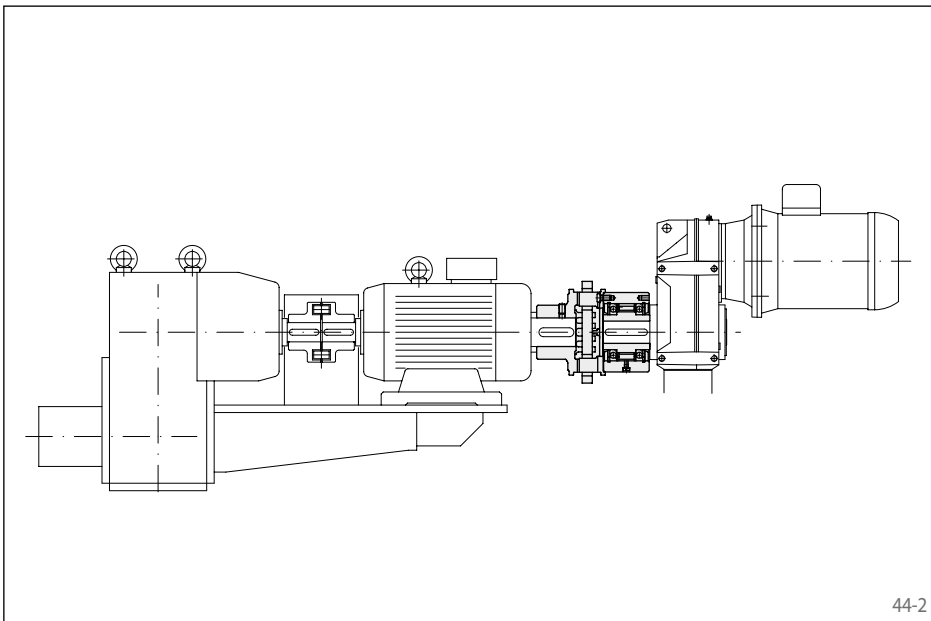
Nominal torques up to 8000 Nm.

Bores up to 140 mm. Many standard bores are available.

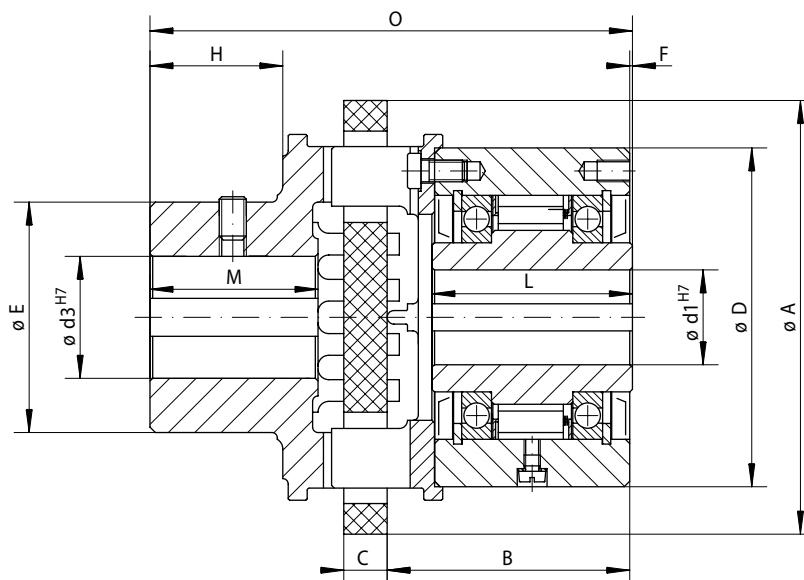
The torsionally stiff RINGSPANN Shaft Coupling can accept large radial and angular misalignments, without reactive forces affecting neighbouring bearings. We can provide you with performance data upon request.

Application example

Complete Freewheel FBL 82 SFZ as an overrunning clutch in the drive unit of a conveyor belt system with additional creep drive. The freewheel with shaft coupling is arranged in between the main motor and the creep drive. When the creep drive operates, the freewheel is in driving operation and drives the belt at low speed. In normal operation (freewheeling operation), the main motor drives and the outer ring overruns, whereupon the creep drive is automatically disengaged. With the high speed here, the type sprag lift-off Z is used; the sprags work in freewheeling operation without contact and hence are wear-free.



with shaft coupling for large shaft misalignments
with sprags, available in three types



45-1

Overrunning Clutch	Standard type For universal use	Type with RIDUVIT® For extended service life with coated sprags	Type with Sprag lift-off Z For extended service life using sprag lift-off at high speed rotating outer ring

Freewheel Size	Type	Nominal torque M_N Nm	Max. speed		Type	Nominal torque M_N Nm	Max. speed		Type	Nominal torque M_N Nm	Sprag lift-off at outer ring speed min ⁻¹	Max. speed	
			Inner ring overruns min ⁻¹	Outer ring overruns min ⁻¹			Inner ring overruns min ⁻¹	Outer ring overruns min ⁻¹				Outer ring overruns min ⁻¹	Inner ring drives min ⁻¹
FBL 37	SF	85	2500	2600	SFT	85	2500	2600	CZ	85	850	3000	340
FBL 44	SF	190	1900	2200	SFT	190	1900	2200	CZ	180	800	2600	320
FBL 57	SF	500	1400	1750	SFT	500	1400	1750	LZ	430	1400	2100	560
FBL 72	SF	500	1120	1600	SFT	500	1120	1600	LZ	500	1220	1800	488
FBL 82	SF	1000	1025	1450	SFT	1000	1025	1450	SFZ	1000	1450	1600	580
FBL 107	SF	2000	880	1250	SFT	2000	880	1250	SFZ	2000	1300	1350	520
FBL 127	SF	4000	800	1150	SFT	4000	800	1150	SFZ	4000	1200	1200	480
FBL 140	SF	8000	750	1050	SFT	8000	750	1050	SFZ	8000	950	1050	380

The maximum transmissible torque is 2 times the specified nominal torque. See page 14 for determination of selection torque.

Freewheel Size	Bore d1		Bore d3			A	B	C	D	E	F	H	L	M	O	Weight kg
	Standard mm	max. mm	Standard mm	min. mm	max. mm	mm	mm	mm	mm	mm	mm	mm	mm	mm	mm	
FBL 37	20	22*	20	14	35	110	62,0	12	75	53	0,5	33	48	42	124	3,0
FBL 44	25*	25*	25	20	42	135	65,0	14	90	66	0,5	41	50	53	140	4,6
FBL 57	30	32*	30	30	50	160	82,5	16	100	85	0,5	51	65	62	170	6,9
FBL 72	40	42*	40	30	50	160	89,5	16	125	85	1,0	51	74	62	178	10,0
FBL 82	50*	50*	50	40	70	200	92,0	20	135	104	2,0	65	75	79	204	14,2
FBL 107	60	65*	60	50	90	250	111,5	25	170	150	2,5	81	90	100	250	28,0
FBL 127	70	75*	70	60	110	315	138,0	32	200	175	3,0	101	112	124	313	48,8
FBL 140	90	95*	90	75	140	400	183,5	40	250	216	5,0	130	150	160	410	102,2

For bore d1: Keyway according to DIN 6885, page 1 • Keyway width tolerance JS10. * Keyway according to DIN 6885, page 3 • Keyway width tolerance JS10.

For bore d3: Keyway according to DIN 6885, page 1 • Keyway width tolerance P9

Mounting

The flexible disk of the shaft coupling must be axially free when fitted so that the ball bearings in the freewheel are not distorted due to heat expansion.

The shaft coupling including the fastening screws are supplied loose. Depending on the desired freewheeling direction, the shaft coupling can be fitted on the right or the left of the freewheel.

The tolerance of the shaft must be ISO h6 or j6.

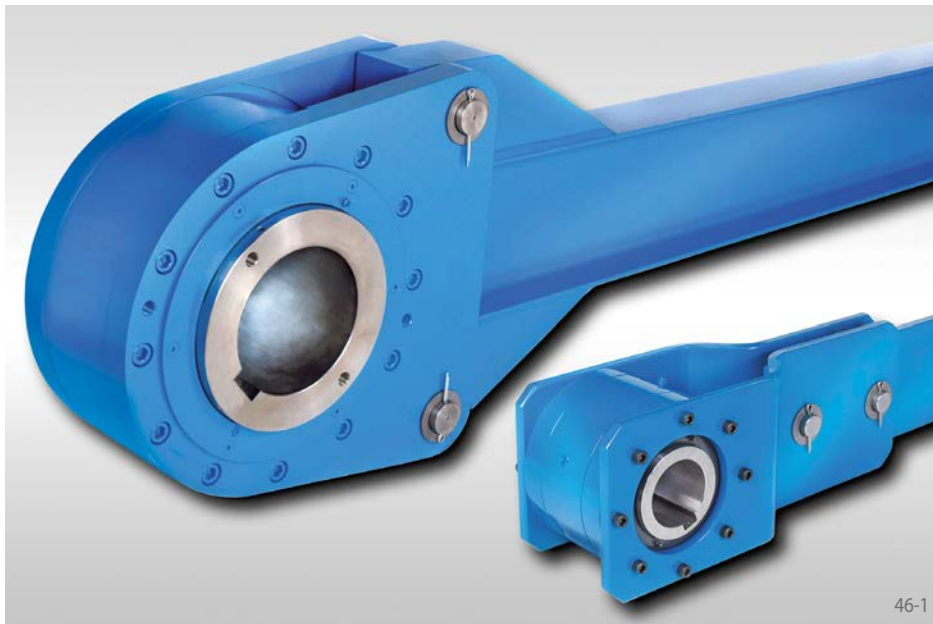
Example for ordering

Freewheel size FBL 72, type with sprag lift-off Z and 40 mm bore in the freewheel and 50 mm bore in the shaft coupling:

- FBL 72 LZ, d1 = 40 mm, d3 = 50 mm

Low Speed Backstops FRHD

with lever arm
in inch dimension, with sprags



Application as

▶ Backstop

for installations with low speeds. The free-wheels are designed for the use in inclined conveyor-belts, elevators or pumps. Taconite seals protect the freewheels from contamination with dust or dirt.

Features

Low Speed Backstops FRHD with lever arm are sealed sprag freewheels with ball bearings. They are supplied oil-filled and ready for installation.

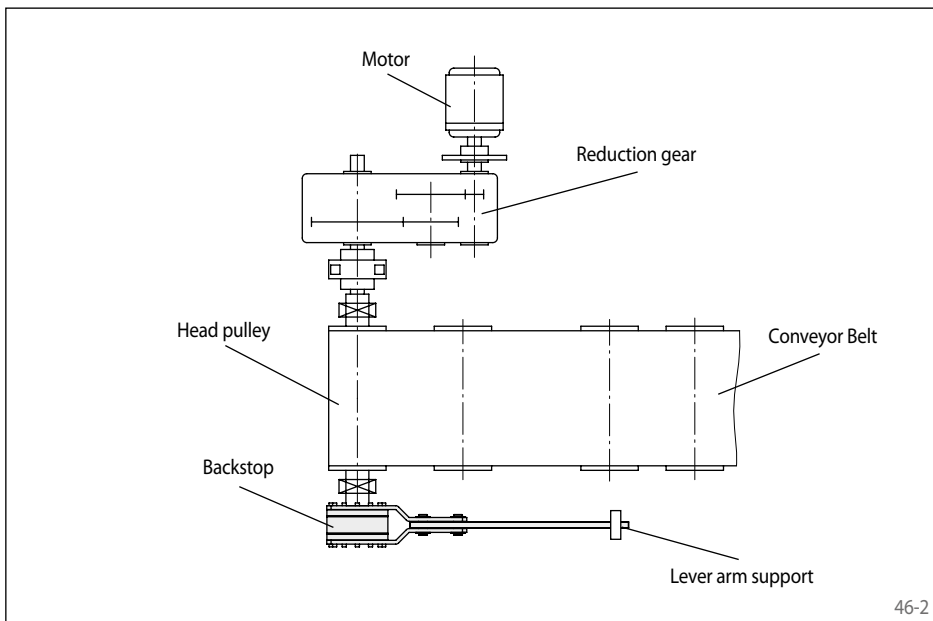
The Low Speed Backstops FRHD are arranged on through shafts or shaft ends.

Nominal torques up to 900 000 lb-ft.

Bores up to 21 inch.

Application example

Backstop FRHD 900 on the head drum shaft of an inclined conveyor belt system. The lever arm is bolted to the freewheel. The backdriving torque is supported by the lever arm on the base plate. When the conveyor belt is without any load, the drum shaft can be turned in both directions during maintenance by removing the bolts.



Mounting

The backdriving torque is supported by the lever arm. The lever arm must not be clamped into position. It must have 0,5 inch play in the axial and in the radial direction.

The tolerance of the shaft must be ISO h6 or j6.

Example for ordering

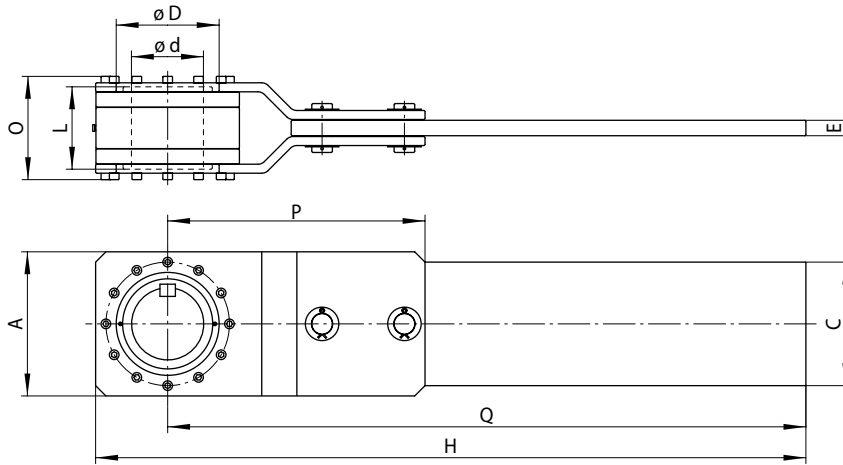
Freewheel size FRHD 800 with a 3,500 inch bore:

- FRHD 800, d = 3,5 inch



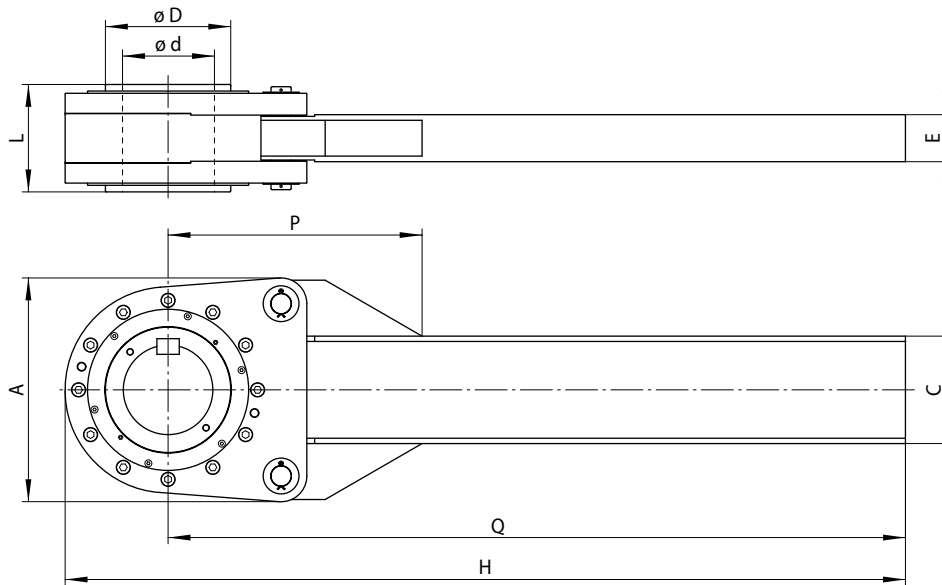
Low Speed Backstops FRHD

with lever arm
in inch dimension, with sprags



Size FRHD 700 to FRHD 950 and FRHD 1050

47-1



Size FRHD 1000 and FRHD 1100 to FRHD 1800

47-2

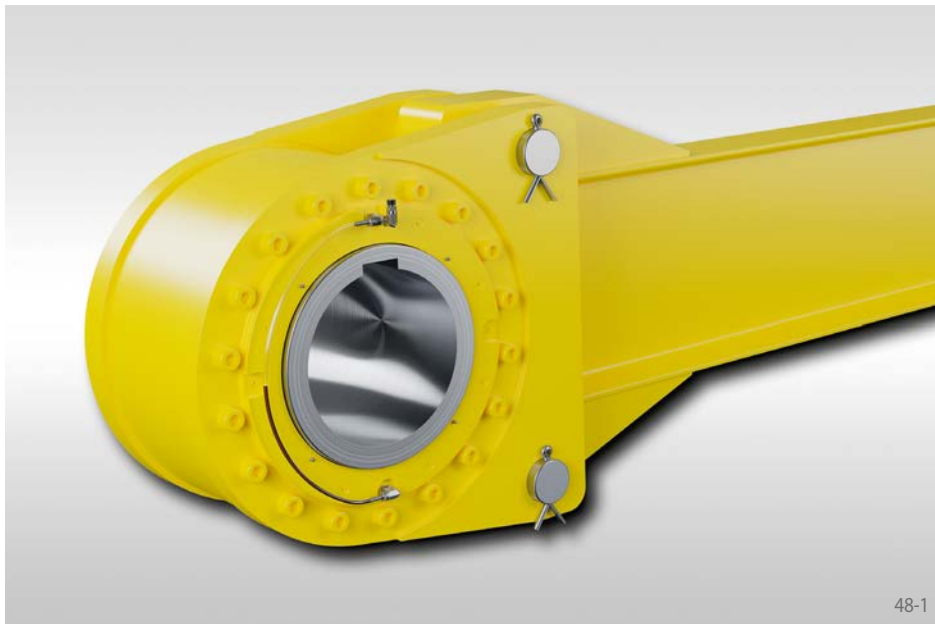
Backstop	Standard type	Dimensions											
	For universal use												

Freewheel Size	Nominal torque M_N lb-ft	Max. speed Inner ring freewheels min ⁻¹	Bore d max. inch	A inch	C inch	D inch	E inch	H inch	L inch	O inch	P inch	Q inch	Weight lbs
FRHD 700	3750	620	3,44	8,00	6,00	5,25	0,50	36,00	6,00	6,75	16,38	32,00	135
FRHD 775	7500	540	3,75	9,75	8,00	6,00	1,00	42,88	7,50	9,00	20,38	38,00	310
FRHD 800	12000	460	4,50	10,50	10,00	7,00	1,00	43,25	8,00	9,50	22,13	38,00	360
FRHD 900	18500	400	5,44	12,00	10,00	8,00	1,50	54,00	7,63	9,38	22,75	48,00	480
FRHD 950	23000	360	7,00	14,00	12,00	10,00	1,50	69,00	8,00	10,00	25,00	62,00	530
FRHD 1000	28000	360	7,00	17,00	8,00	9,00	4,13	80,38	8,75	-	23,13	72,00	550
FRHD 1050	45000	360	7,00	14,00	12,00	10,00	1,50	79,00	10,50	12,50	29,00	72,00	600
FRHD 1100	45000	360	7,00	17,00	8,00	9,00	4,13	80,38	10,00	-	23,13	72,00	795
FRHD 1200	92500	250	9,00	23,00	10,00	12,00	4,94	89,00	11,00	-	28,00	78,00	1300
FRHD 1300	110000	220	10,00	25,00	12,00	14,00	5,25	95,00	12,00	-	30,00	82,88	1674
FRHD 1400	140000	200	12,00	30,00	18,00	16,00	6,25	107,00	13,00	-	36,00	94,00	2200
FRHD 1450	190000	200	12,00	30,00	18,00	16,00	6,25	107,00	15,00	-	36,00	94,00	2500
FRHD 1500	290000	200	12,00	31,00	18,00	15,13	6,25	107,00	17,62	-	36,00	94,00	2440
FRHD 1600	373000	140	14,00	32,50	20,00	17,63	6,25	124,00	19,25	-	30,44	108,00	3400
FRHD 1700	625000	120	18,00	42,50	24,50	23,00	7,88	140,00	20,00	-	48,00	120,00	7000
FRHD 1800	900000	100	21,00	52,00	30,00	26,50	10,50	170,00	23,00	-	54,00	144,00	12000

The maximum transmissible torque is 2 times the specified nominal torque. See page 14 for determination of selection torque.
Keyway dimensions upon request by customers. • Conversion factors: 1 lb-ft = 1,35 Nm, 1 inch = 25,4 mm, 1 lbs = 0,453 kg.

Low Speed Backstops FRHN

with lever arm
in metric dimensions with sprags



Application as

▶ Backstop

for installations with low speeds. The free-wheels are designed for the use in inclined conveyor-belts, elevators or pumps. Taconite seals protect the freewheels from contamination with dust or dirt.

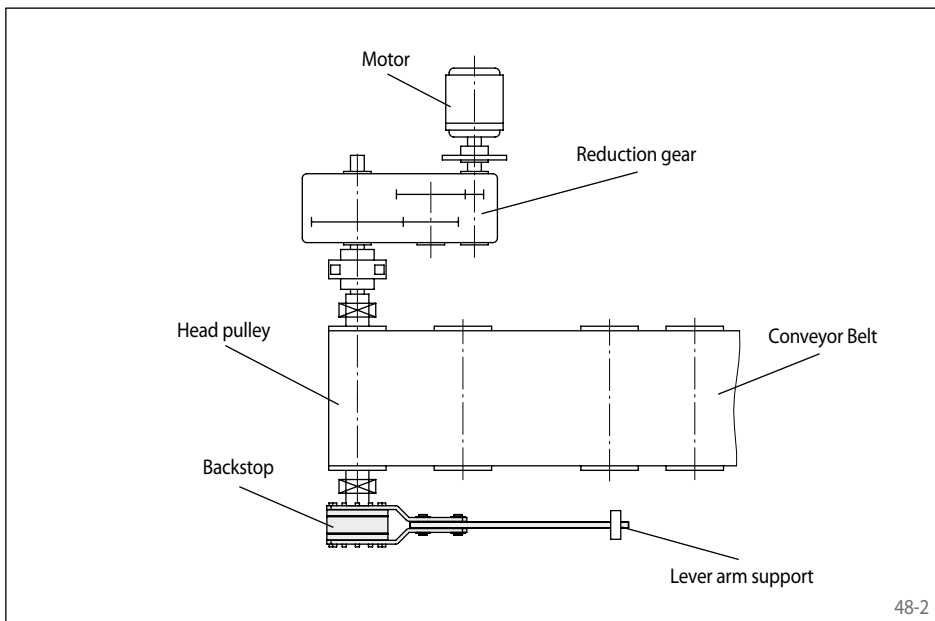
Features

Low Speed Backstops FRHN with lever arm are sealed sprag freewheels with ball bearings. They are supplied oil-filled and ready for installation.

The Low Speed Backstops FRHN are arranged on through shafts or shaft ends.

Nominal torques up to 503 550 Nm.

Bores up to 320 mm.



Application example

Backstop FRHN 1 200 on the head drum shaft of an inclined conveyor belt system. The lever arm is bolted to the freewheel. The backdriving torque is supported by the lever arm on the base plate. When the conveyor belt is without any load, the drum shaft can be turned in both directions during maintenance by removing the bolts.

Mounting

The backdriving torque is supported by the lever arm. The lever arm must not be clamped into position. It must have 12,7 mm play in the axial and in the radial direction.

The tolerance of the shaft must be ISO h6 or j6.

Example for ordering

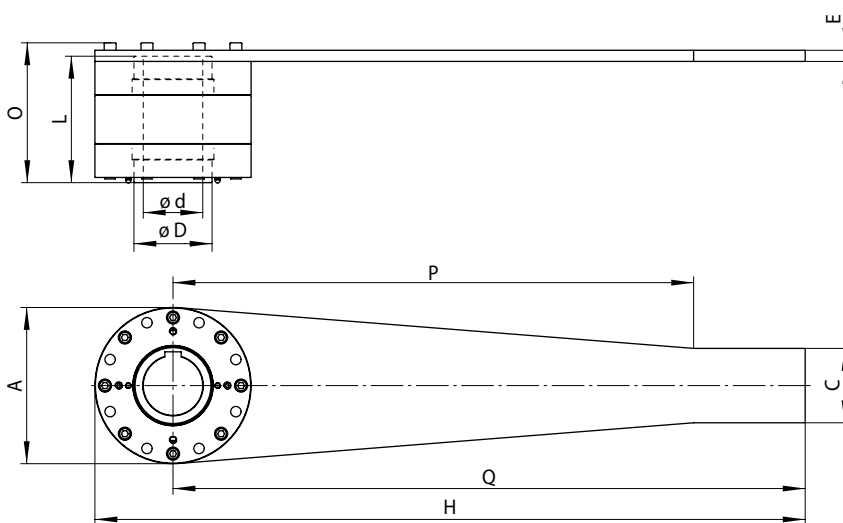
Freewheel size FRHN 1 200 with a 230 mm bore:

- FRHN 1 200, d = 230 mm



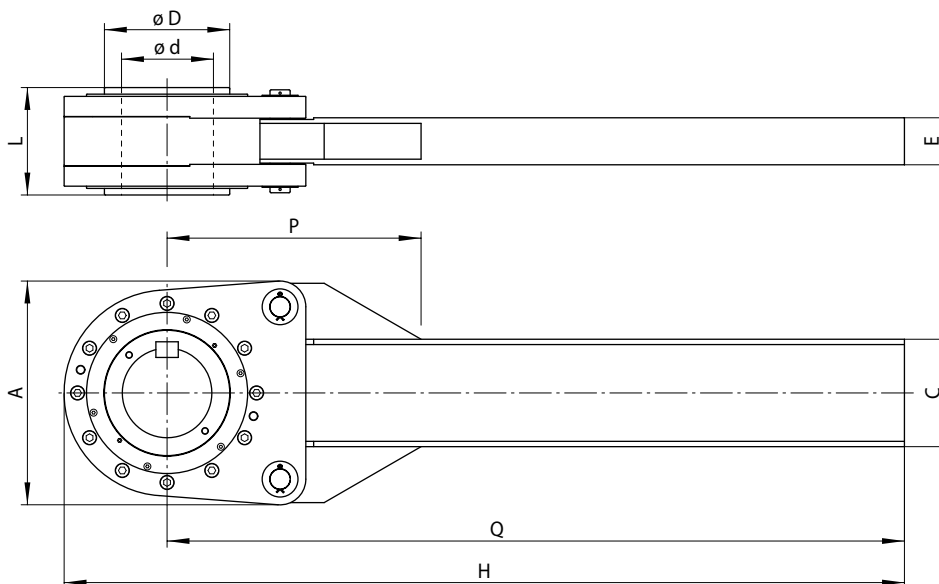
Low Speed Backstops FRHN

with lever arm
in metric dimensions with sprags



Size FRHN 700 to FRHN 900

49-1



Size FRHN 1000 to FRHN 1600

49-2

Backstop	Standard type	Dimensions											
	For universal use												

Freewheel Size	Nominal torque M_N Nm	Max. speed Inner ring freewheels min^{-1}	Bore d max. mm	A mm	C mm	D mm	E mm	H mm	L mm	O mm	P mm	Q mm	Weight kg
FRHN 700	6900	620	80	210	100	105	15	955	170	188	700	850	50
FRHN 775	10100	540	90	250	100	120	20	1090	200	223	815	965	80
FRHN 800	16250	460	110	280	150	140	20	1105	220	246	815	965	100
FRHN 900	25000	400	130	315	150	170	25	1525	194	227	1170	1367,5	140
FRHN 1000	40000	360	170	430	200	220	100	2015	250	-	592	1800	305
FRHN 1100	61000	360	170	470	220	220	112	2013	270	-	695	1800	360
FRHN 1200	125000	200	230	586	280	300	124	2239	280	-	712	1974	620
FRHN 1300	150000	200	250	635	320	320	134	2413	330	-	755	2095	810
FRHN 1400	189000	200	280	790	450	380	154	2590	330	-	758	2268	1000
FRHN 1450	263000	200	300	770	450	380	154	2730	450	-	885	2400	1280
FRHN 1500	389500	200	300	900	500	380	162	2840	510	-	1020	2500	1700
FRHN 1600	503550	110	320	826	500	400	160	3104	490	-	772	2742	1600

The maximum transmissible torque is 2 times the specified nominal torque. See page 14 for determination of selection torque.
Keyway dimensions upon request by customers.

Low Speed Backstops FRSC

with lever arm
with rollers



Application as

▶ Backstop

for installations with low speeds. The free-wheels are designed for the use in inclined conveyor-belts, elevators or pumps.

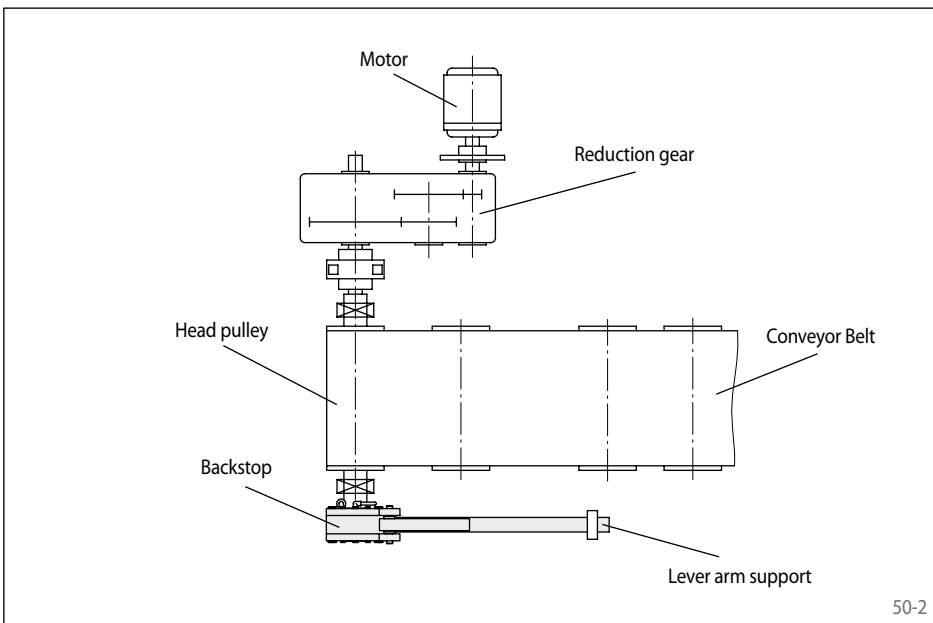
Features

Low Speed Backstops FRSC with lever arm are sealed roller free-wheels with ball bearings. They are supplied oil-filled and ready for installation.

The Low Speed Backstops FRSC are arranged on through shafts or shaft ends.

Nominal torques up to 215 500 Nm.

Bores up to 300 mm.



Application example

Backstop FRSC 900 on the head drum shaft of an inclined conveyor belt system. The lever arm is bolted to the free-wheel. The backdriving torque is supported by the lever arm on the base plate. When the conveyor belt is without any load, the drum shaft can be turned in both directions during maintenance by removing the bolts.

Mounting

The backdriving torque is supported by the lever arm. The positioning of the lever arm can be adjusted at any angle. The lever arm must not be clamped into position. It must have 12,7 mm play in the axial and in the radial direction. The tolerance of the shaft must be ISO h6 or j6.

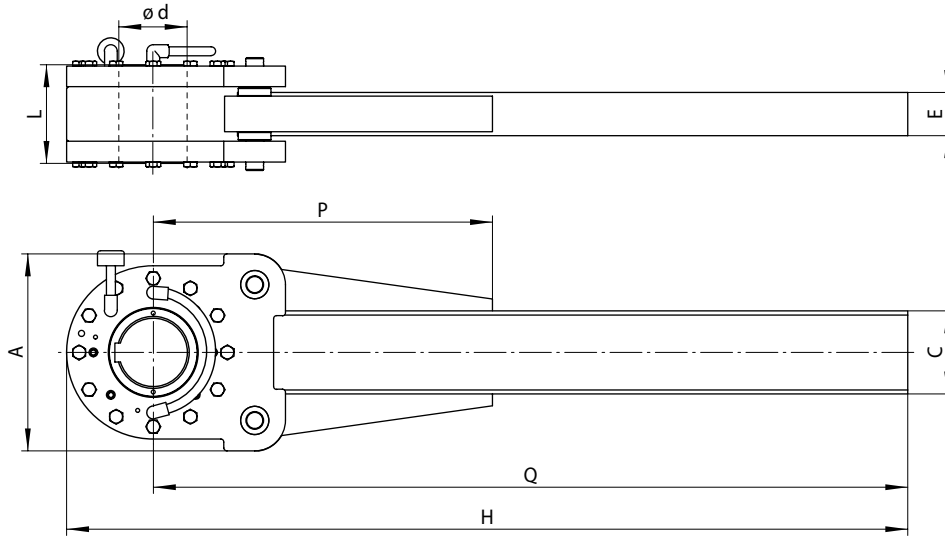
Example for ordering

Freewheel size FRSC 800 with a 115 mm bore:

- FRSC 800, d = 115 mm

Low Speed Backstops FRSC

with lever arm
with rollers



51-1

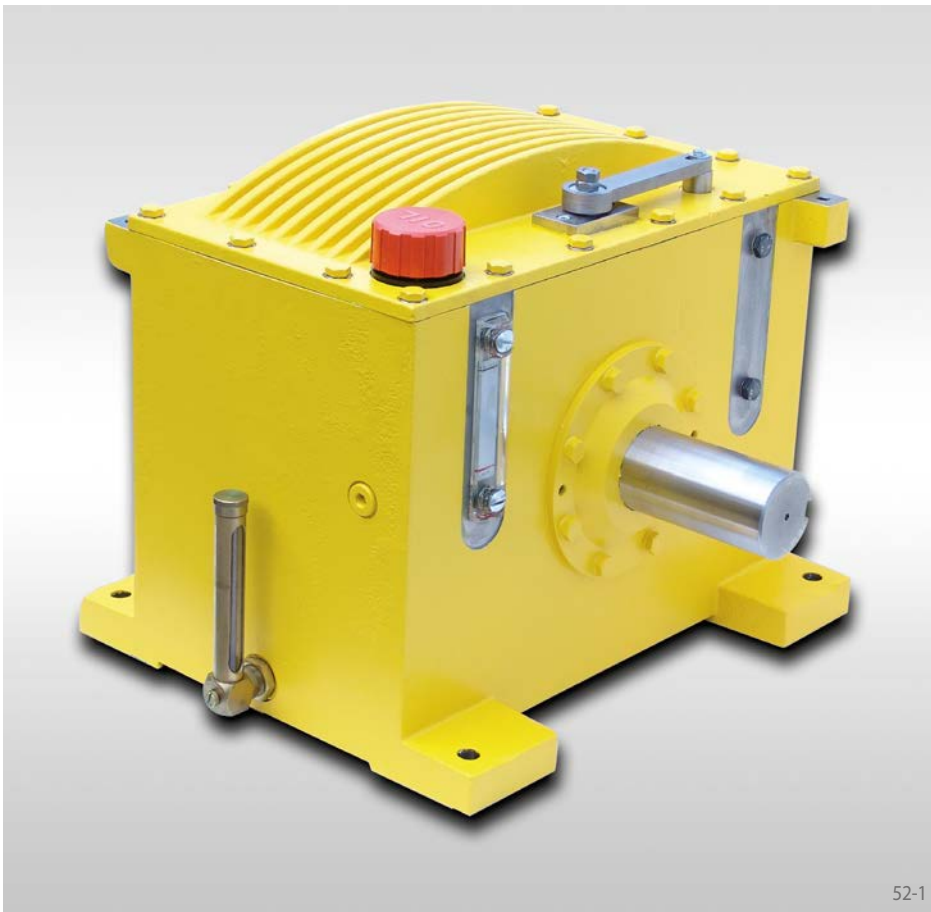
Backstop	Standard type For universal use	Dimensions

	Freewheel Size	Nominal torque M_N	Max. speed Inner ring freewheels	Bore d max.	A	C	E	H	L	P	Q	Weight
		Nm	min ⁻¹	mm	mm	mm	mm	mm	mm	mm	mm	kg
metric	FRSC 775	9200	300	100	280	120	64	1045	160	390	920	75
	FRSC 800	14000	250	115	332	140	73	1418	170	571	1272	212
	FRSC 900	21000	180	140	380	160	82	1605	182	585	1435	164
	FRSC 1000	37500	150	165	424	180	91	1876	214	587,5	1684	230
	FRSC 1100	60000	135	180	480	203	133	2053	226	587,5	1830	337
	FRSC 1150	76500	120	200	546	254	146	2250	250	587,5	2000	451
	FRSC 1200	105500	105	230	580	305	165	2356	280	711	2086	563
	FRSC 1300	160000	90	280	656	356	171	2543	319	762	2235	770
	FRSC 1400	215500	80	300	760	457	191	2760	350	914	2400	1198
inch		lb-ft	min ⁻¹	inch	inch	inch	inch	inch	inch	inch	inch	lbs
	FRSC 775	6700	300	3,94	11,02	4,72	2,52	41,14	6,30	15,35	36,22	165
	FRSC 800	10300	250	4,53	13,07	5,51	2,87	55,83	6,69	22,48	50,08	467
	FRSC 900	15300	180	5,51	14,96	6,30	3,23	63,19	7,17	23,03	56,50	362
	FRSC 1000	27600	150	6,50	16,69	7,09	3,58	73,86	8,43	23,13	66,30	507
	FRSC 1100	44400	135	7,09	18,90	7,99	5,24	80,83	8,90	23,13	72,05	743
	FRSC 1150	56400	120	7,87	21,50	10,00	5,75	88,58	9,84	23,13	78,74	994
	FRSC 1200	77800	105	9,06	22,83	12,01	6,50	92,76	11,02	27,99	82,13	1241
	FRSC 1300	117900	90	11,02	25,83	14,02	6,73	100,12	12,56	30,00	87,99	1698
FRSC 1400	158900	80	11,81	29,92	17,99	7,52	108,66	13,78	35,98	94,49	2641	

The maximum transmissible torque is 2 times the specified nominal torque. See page 14 for determination of selection torque.
Keyway dimensions upon request by customers.

Housing Freewheels FH

for stationary arrangement in multi-motor drives
with hydrodynamic roller lift-off for extended service life



52-1

Application as

▶ Overrunning Clutch

at high speeds, which are the same or similar in freewheeling operation and in driving operation.

Features

Housing Freewheels FH with hydrodynamic roller lift-off are typically used in cases where an assembly can be driven from two or more motors or turbines at the same or similar high speed. They allow a continuous plant operation in the event that one of the energy sources or a drive line fails as well as energy saving in the case of partial load operation.

The Housing Freewheels FH are completely enclosed freewheels for stationary arrangement with input and output shaft.

Advantages

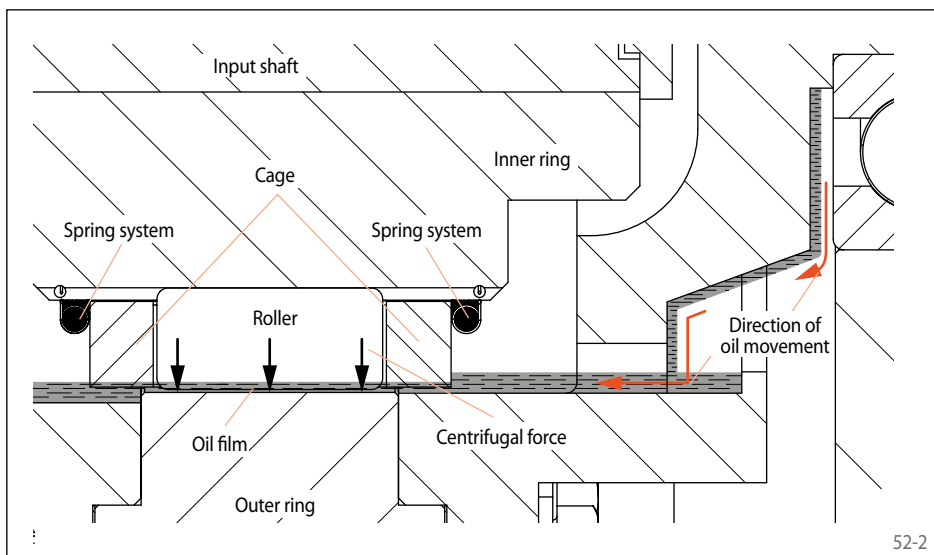
- Nominal torques up to 81 350 Nm
- Shaft diameter up to 178 mm
- Wear-free operation
- Low noise
- Low power dissipation
- Integrated oil filtration system
- Integrated locking brake
- Oil change without down time

Hydrodynamic roller lift-off

Housing Freewheels FH are equipped with hydrodynamic roller lift-off. The hydrodynamic roller lift-off is the ideal solution for over-

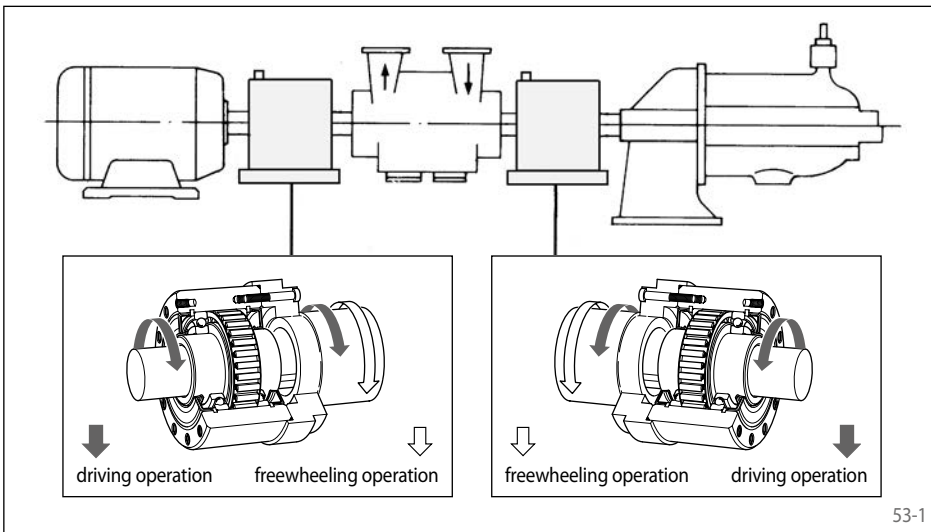
running clutches at high speeds, not only in freewheeling operation, but also in the driving operation, as can occur, for example, in mul-

ti-motor drives. In the case of hydrodynamic roller lift-off, the lifting force is generated by an oil film applied during freewheeling operation by centrifugal force exerted on the outer ring race. This provides for practically wear-free freewheeling operation. The speed differential between the inner and outer rings is the decisive factor affecting the lift-off function. If the speed differential decreases, the lift-off force also decreases. Before achieving synchronous running, the clamping rollers guided in a cage are positioned with the aid of the central spring system against the outer ring race and are then ready to lock. This guarantees immediate torque transfer once the synchronous speed has been reached. The hydrodynamic roller lift-off enables a virtually wear-free freewheeling operation.



52-2

for stationary arrangement in multi-motor drives
with hydrodynamic roller lift-off for extended service life

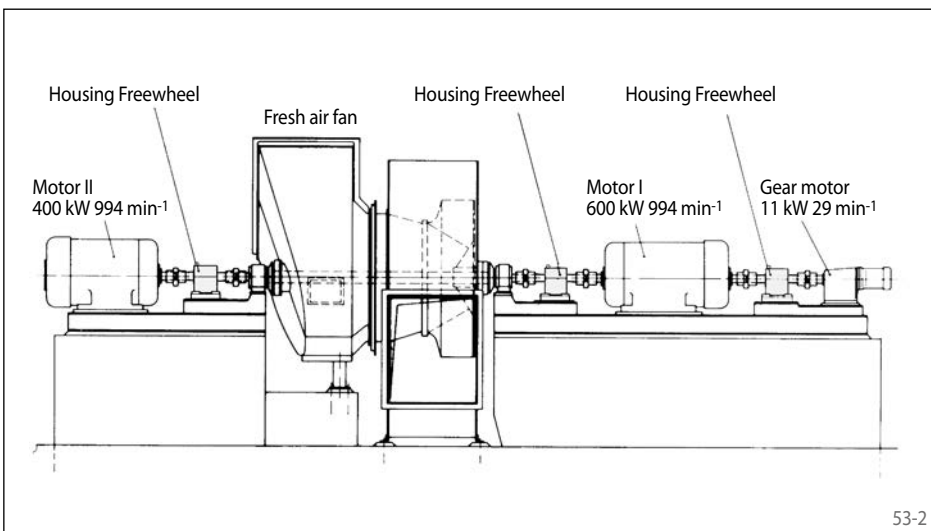


Areas of application

Housing Freewheels as automatic clutches in multi-motor drives fulfil here an important function. They disengage a drive automatically as soon as it no longer provides power to the working machine. The Housing Freewheels do not require any external operating equipment.

Typical applications for multi-motor drives are:

- Generators
- Pumps
- Ventilators
- Fans
- Uninterrupted power supply



Application example

Three Housing Freewheels in the multi-motor drive of a fresh air fan. The fan is driven by one or two electric motors. An additional auxiliary drive serves to slowly turn the fan for the purposes of inspection work or for an even cooling down after shut down. The Housing Freewheels automatically engage the respective working electric motor to the fan.

Selection torque for Housing Freewheels FH

In many cases where overrunning clutches are being used, dynamic processes occur that cause high peak torques. In the case of overrunning clutches, the torques that occur during start up must be observed. The peak torques when starting up can, in the case of asynchronous motors - especially when accelerating large masses and when using elastic couplings - significantly exceed the torque calculated from the motor pullover torque. The conditions for internal combustion engines are similar. Even in normal operation, on account of their degree of irregularity, peak torques can occur that are way in excess of the nominal torque.

The prior determination of the maximum occurring torque is carried out most safely by using a rotational vibration analysis of the entire system. This, however, requires a knowledge of the rotating masses, the rotational rigidity and all of the excitation moments that

occur on the system. In many cases, a vibrational calculation is too time consuming or you may not have all the necessary data in the configuration phase available. In this case, the selection torque M_A of the overrunning clutch should be determined as follows:

$$M_A = K \cdot M_L$$

In this equation:

M_A = Selection torque of the freewheel

K = Operating factor

M_L = Load torque for constant rotating freewheel:
= $9550 \cdot P_0 / n_{FR}$

P_0 = Nominal power of motor [kW]

n_{FR} = Speed of the freewheel in driving operation [min⁻¹]

After calculating M_A the freewheel size must be selected in accordance with the catalogue tables in such a way that in all cases this applies:

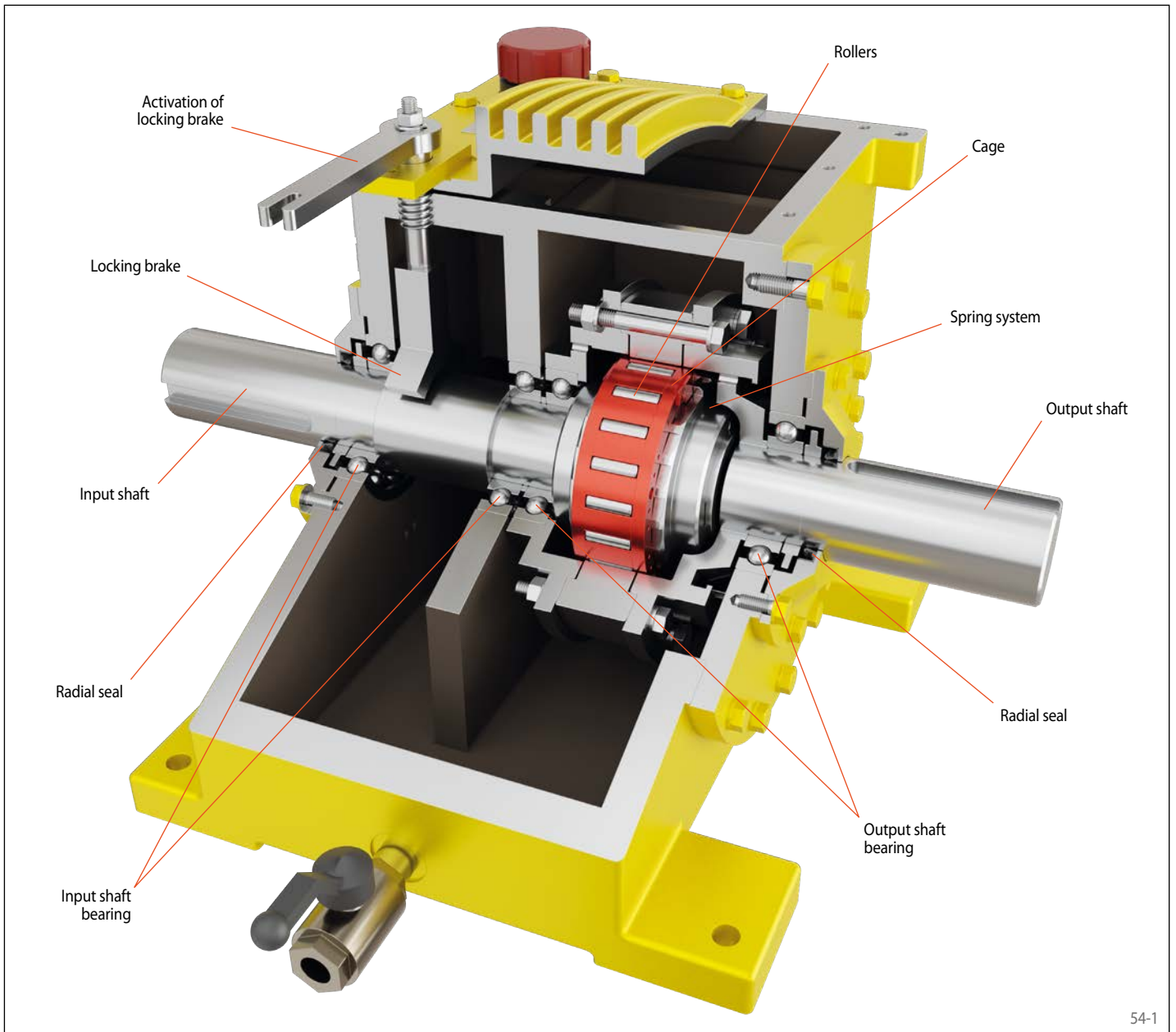
$$M_N \geq M_A$$

M_N = Nominal torque of the Housing Freewheel FH in accordance with the table values [Nm]

The operating factor K depends on the properties of the driver and the machine. The general rules of mechanical engineering apply here. We recommend using an operating factor K of at least 1.5. We will be pleased to check your selection.

Housing Freewheels FH

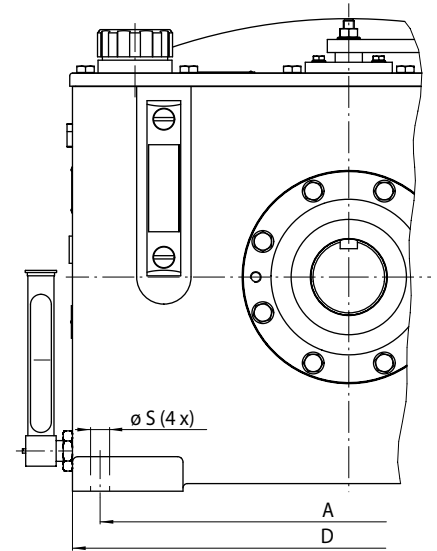
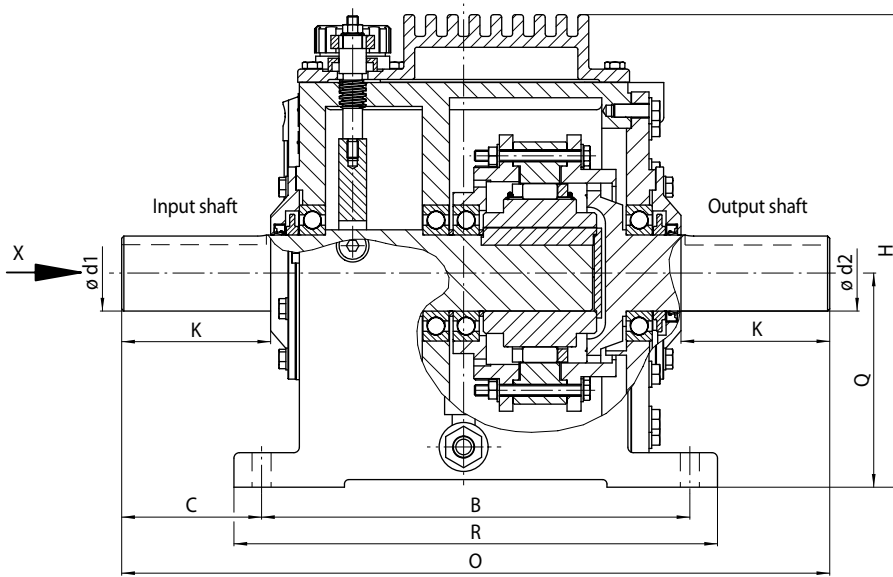
for stationary arrangement in multi-motor drives
with hydrodynamic roller lift-off for extended service life



54-1

Housing Freewheels FH

for stationary arrangement in multi-motor drives
with hydrodynamic roller lift-off for extended service life



55-1

55-2

Overrunning Clutch	Type hydrodynamic roller lift-off	Dimensions

	Freewheel Size	Type	Nominal torque		Max. speed		Shaft d1 and d2	A	B	C	D	H	K	O	Q	R	S	Weight
			M _N	lb-ft	Output shaft overruns	Input shaft drives												
inch	FH 1000	R	1000	1000	5600	5600	1 3/4	12 3/4	12 3/4	3 7/16	16 1/4	12 7/8	3 7/8	19 5/8	5 3/4	14 1/2	11 1/16	231
	FH 2000	R	2000	2000	4200	4200	2 5/16	16 3/4	14 3/4	4 1/4	18 3/4	15	4 5/8	23 1/4	6 7/8	16 1/2	11 1/16	355
	FH 4000	R	4000	4000	3600	3600	2 3/4	18	15 1/2	5 1/16	20	17 1/8	5 3/8	25 5/8	7 3/4	17 1/2	11 1/16	496
	FH 8000	R	8000	8000	3000	3000	3 5/16	17 1/2	18 1/4	5 5/8	21 1/2	18 15/16	6 1/8	29 1/2	8 5/8	20 1/2	13 1/16	716
	FH 12000	R	12000	12000	2500	2500	3 7/8	18 1/4	21 1/2	6 5/16	22 3/4	20 15/16	6 15/16	34 1/8	9 5/8	23 3/4	1 1/16	926
	FH 18000	R	18000	18000	2300	2300	4 5/16	20 1/2	23 1/4	7 5/16	26	20 5/8	7 11/16	37 7/8	11 1/4	25 3/4	1 5/16	1402
	FH 30000	R	30000	30000	2000	2000	5 1/16	25 1/2	26 1/4	7 7/8	31	26 1/2	8 5/8	42	12 3/4	29 1/2	1 5/16	2178
	FH 42000	R	42000	42000	1700	1700	5 7/8	29	28 3/4	8 1/2	35	32 1/2	9 1/8	45 3/4	14 1/2	31 3/4	1 5/16	2822
	FH 60000	R	60000	60000	1400	1400	7	32	30 1/2	9 1/2	38	35	10 5/8	49 1/2	16	33 1/2	1 5/16	3655
metric	FH 1000	R	1356	1000	5600	5600	44,45	323,85	323,85	87,31	412,75	327,00	98,43	498,48	146,05	368,30	17,50	105
	FH 2000	R	2712	2000	4200	4200	58,74	425,45	374,65	107,95	480,00	381,00	117,48	590,55	174,63	419,10	17,50	161
	FH 4000	R	5423	4000	3600	3600	69,85	457,20	393,70	128,59	508,00	435,00	136,53	650,88	196,85	444,50	17,50	225
	FH 8000	R	10847	8000	3000	3000	84,14	444,50	463,55	142,87	546,00	481,00	155,58	749,30	219,08	520,00	21,00	325
	FH 12000	R	16270	12000	2500	2500	98,43	463,55	546,10	160,35	578,00	532,00	177,00	866,80	244,48	603,00	27,00	425
	FH 18000	R	24405	18000	2300	2300	109,54	520,70	590,55	185,74	660,00	600,00	195,26	962,00	285,75	654,00	33,00	636
	FH 30000	R	40675	30000	2000	2000	128,59	647,70	666,75	200,03	787,00	672,00	220,00	1066,80	323,85	749,00	33,00	988
	FH 42000	R	56944	42000	1700	1700	149,23	736,60	730,25	215,88	889,00	825,00	232,00	1162,00	368,30	806,00	33,00	1280
	FH 60000	R	81349	60000	1400	1400	177,80	812,80	774,70	241,30	965,00	890,00	270,00	1257,30	406,40	850,00	33,00	1658

The maximum transmissible torque is 2 times the specified nominal torque. See page 14 for determination of selection torque.
Keyway according to USAS B17.1-1967

Locking brake

During freewheeling operation, the stationary input shaft of the Housing Freewheel is effected by a drag torque from the freewheeling output shaft. By manually activation of the in the housing freewheel integrated locking brake the driving parts are prevented from being carried along.

Mounting

The Housing Freewheel must be mounted in such a way that shaft d1 is the input shaft and shaft d2 the output shaft.

We recommend the use of torsionally stiff shaft couplings generating only low reactive forces. On indication of the reactive forces that occur we are well prepared to check the usable life of the bearings installed.

Example for ordering

Prior to ordering, please complete the questionnaire on page 109 by specifying the direction of rotation in driving operation when viewed in direction X so that we can check the selection.

Basic Freewheels FGR ... R

for assembly with connecting parts
with rollers



56-1

Application as

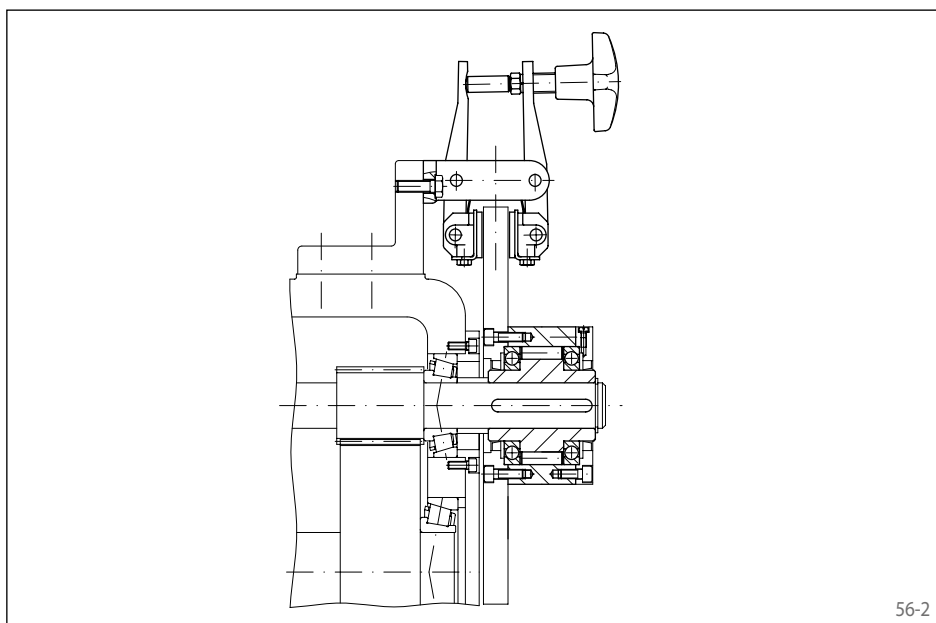
- ▶ Backstop
- ▶ Overrunning Clutch
- ▶ Indexing Freewheel

Features

Basic Freewheels FGR ... R are roller freewheels with ball bearings to be assembled with customer connecting parts. The freewheels are particularly suitable for installation in housings with oil lubrication and seals.

Nominal torques up to 68000 Nm.

Bores up to 150 mm.

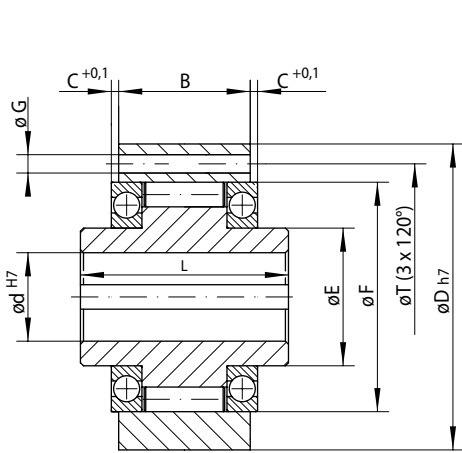


56-2

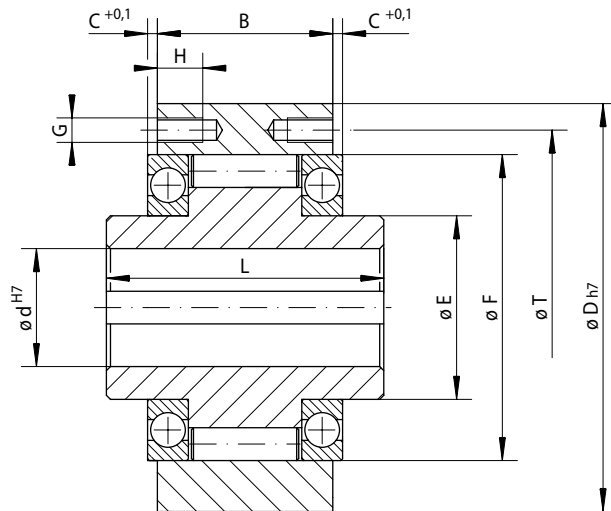
Application example

Basic Freewheel FGR 25 R as a backstop on a reduction gear in the drive of an inclined conveyor of an assembly train. When the unit stops, the conveyor belt must be held securely so that it does not run backwards by the weight of the assembly parts. A brake disk is fitted to the outer ring of the freewheel alongside a manually operated RINGSPANN brake calliper. The backdriving torque is maintained by the freewheel and the closed brake. During set-up it must be possible to move the installation in both directions of rotation. To do this, the brake calliper is opened manually.

for assembly with connecting parts
with rollers



Size FGR 12



57-1 Size FGR 15 to FGR 150

57-2

Indexing Freewheel Overrunning Clutch Backstop	Standard type For universal use	Dimensions

Freewheel Size	Type	Nominal torque M _N Nm	Max. speed		Bore d mm	B mm	C mm	D mm	E mm	F mm	G**	H mm	L mm	T mm	Z**	Weight kg
			Inner ring freewheels/ overruns min ⁻¹	Outer ring freewheels/ overruns min ⁻¹												
FGR 12	R	55	2 500	5 400	12	20	3,5	62	20	42	5,5 mm	-	42	51	3	0,5
FGR 15	R	130	2 200	4 800	15	28	2,0	68	25	47	M5	8	52	56	3	0,8
FGR 20	R	180	1 900	4 100	20	34	2,4	75	30	55	M5	8	57	64	4	1,0
FGR 25	R	290	1 550	3 350	25	35	2,4	90	40	68	M6	10	60	78	4	1,5
FGR 30	R	500	1 400	3 050	30	43	2,4	100	45	75	M6	10	68	87	6	2,2
FGR 35	R	730	1 300	2 850	35	45	2,9	110	50	80	M6	12	74	96	6	3,0
FGR 40	R	1 000	1 150	2 500	40	53	2,9	125	55	90	M8	14	86	108	6	4,6
FGR 45	R	1 150	1 100	2 400	45	53	2,9	130	60	95	M8	14	86	112	8	4,7
FGR 50	R	2 100	950	2 050	50	64	3,9	150	70	110	M8	14	94	132	8	7,2
FGR 55	R	2 600	900	1 900	55	66	2,9	160	75	115	M10	16	104	138	8	8,6
FGR 60	R	3 500	800	1 800	60	78	5,4	170	80	125	M10	16	114	150	10	10,5
FGR 70	R	6 000	700	1 600	70	95	6,4	190	90	140	M10	16	134	165	10	13,4
FGR 80	R	6 800	600	1 400	80	100	3,9	210	105	160	M10	16	144	185	10	18,2
FGR 90	R	11 000	500	1 300	90	115	4,9	230	120	180	M12	20	158	206	10	28,0
FGR 100	R	20 000	350	1 000	100	120	5,4	270	140	210	M16	24	182	240	10	43,0
FGR 130	R	31 000	250	900	130	152	7,9	310	160	240	M16	24	212	278	12	66,0
FGR 150	R	68 000	200	700	150	180	6,9	400	200	310	M20	32	246	360	12	136,0

The maximum transmissible torque is 2 times the specified nominal torque. See page 14 for determination of selection torque.

Keyway according to DIN 6885, page 1 • Tolerance of keyway width JS10.

** Z = Number of tapped holes or mounting holes G on pitch circle T.

Mounting

The customer connecting parts are centered on the ball bearing external diameter F and assembled via the outer ring.

The tolerance of the shaft must be ISO h6 or j6 and the tolerance of the pilot diameter F of the connecting part must be ISO H7 or J7. The centering depth C must be observed.

Lubrication

An oil lubrication of the specified quality must be provided. Two flat seals are supplied for sealing between the faces of the outer ring and the connecting parts.

Example for ordering

Freewheel size FGR 35, standard type:

- FGR 35 R

for bolting to the face
with sprag lift-off X



Application as

- ▶ Backstop
- ▶ Overrunning Clutch

For application as backstop in installations with high speeds in freewheeling operation.

For application as overrunning clutch in installations with low speeds in driving operation.

Features

Integrated Freewheels FXM are sprag free-wheels without bearing support and with sprag lift-off X.

The sprag lift-off X ensures a wear-free free-wheeling operation when the inner ring rotates at high speed.

Nominal torques up to 1 230 000 Nm.

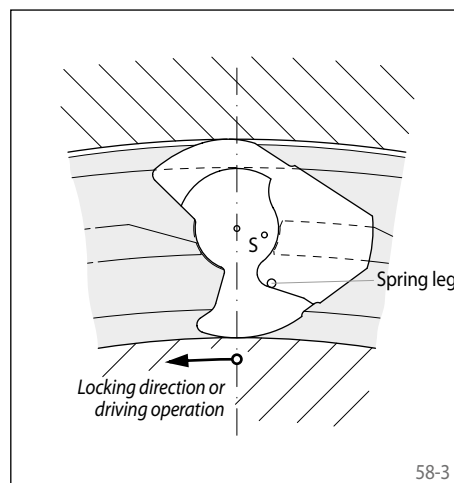
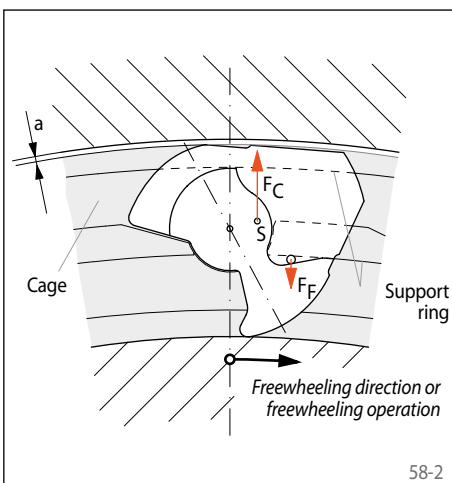
Bores up to 500 mm. A multitude of standardized bore diameters are available with short delivery times.

Srag lift-off X

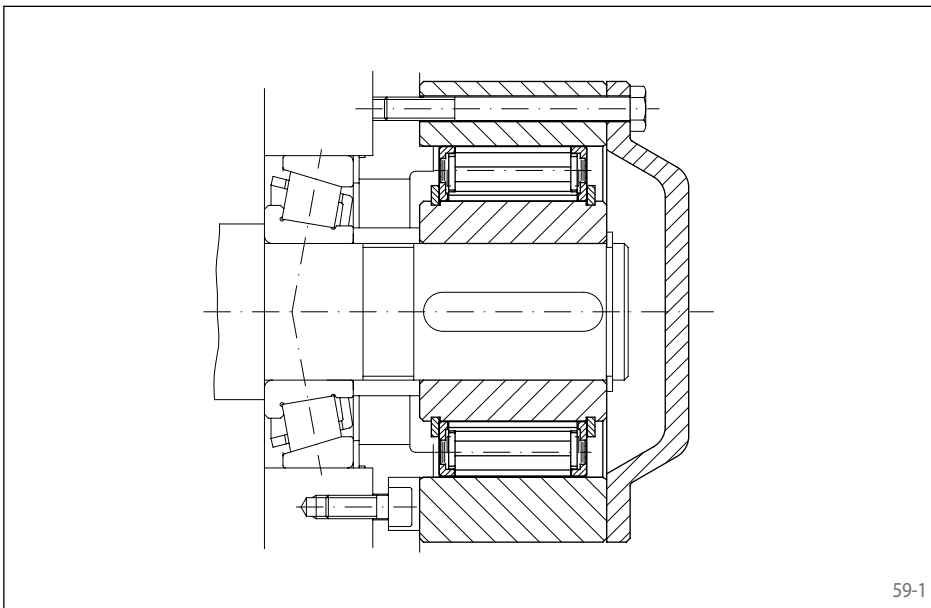
Integrated Freewheels FXM are equipped with sprag lift-off X. The sprag lift-off X is used for backstops and overrunning clutches, provided that in freewheeling operation the inner ring is rotating at high speed and providing with over-running clutches that the driving operation is conducted at low speed. In freewheeling operation, the centrifugal force F_C causes the sprag to lift off from the outer track. In this operating state, the freewheel works wear-free, i.e. with unlimited service life.

Figure 58-2 shows a freewheel with sprag lift-off X in freewheeling operation. The sprags, which are supported in a cage connected with the inner ring, rotate with the inner ring. The centrifugal force F_C that is applied in the center of gravity S of the sprag turns the sprag counter-clockwise and rests against the support ring of the cage. This results in the gap a between the sprag and the outer track; the freewheel works without contact. If the inner ring speed decreases to such an extent that the effect of

the centrifugal force on the sprag is less than that of the spring force F_F , the sprag again rests on the outer ring and the freewheel is ready to lock (figure 58-3). If used as an overrunning clutch, the driving speed must not exceed 40% of the lift-off speed.



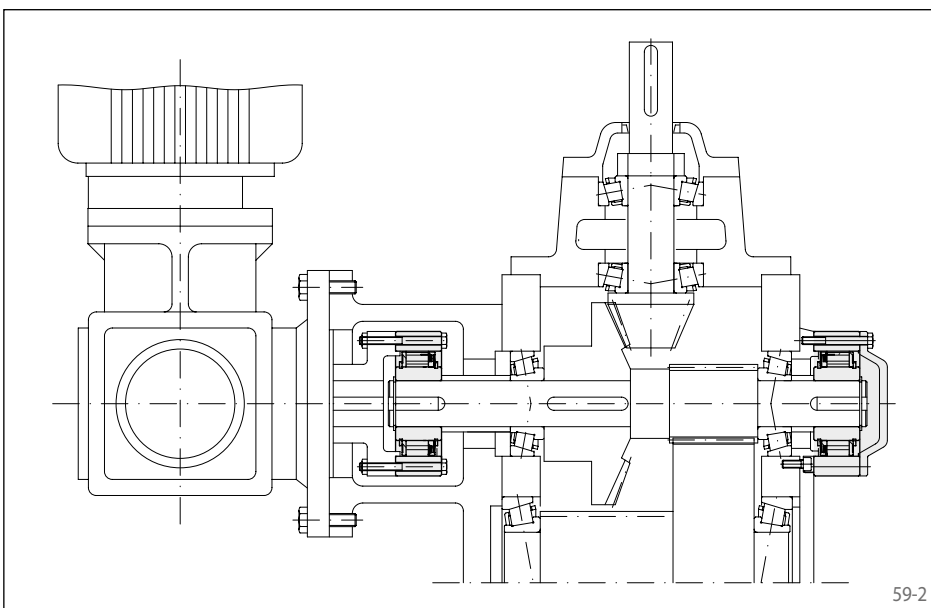
for bolting to the face
with sprag lift-off X



59-1

Application example

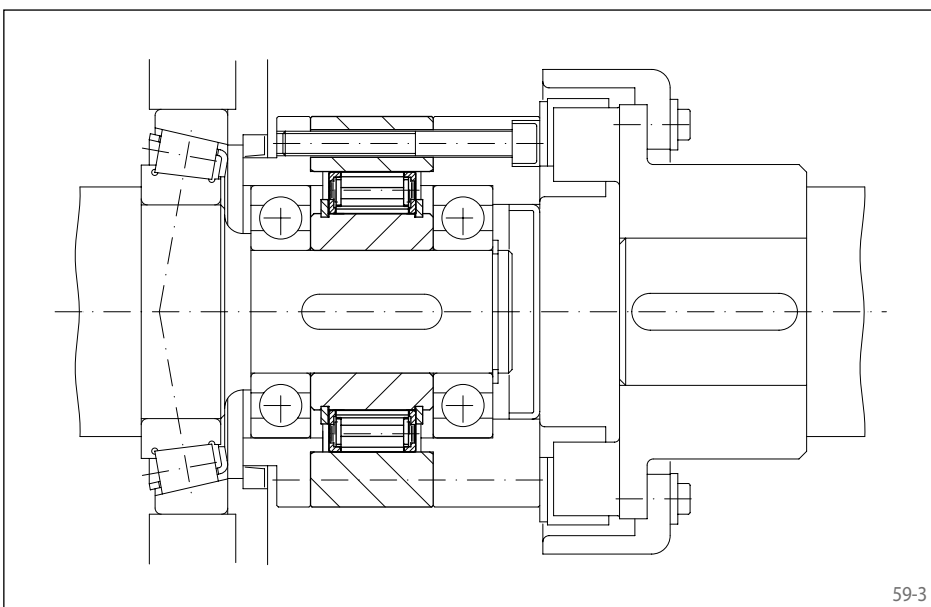
Integrated Freewheel FXM 170 - 63 MX with end cover as backstop fitted to the end of the first intermediate shaft of a spur gearbox in the drive of an inclined conveyor belt. In the case of a motor stop, the conveyor belt must be held securely so that the conveyor goods do not pull the belt backwards and possibly cause serious damage. Due to the high shaft speeds in normal operation (freewheeling operation), the sprag lift-off X ensures a contactless and hence wear-free continuous operation.



59-2

Application example

Two Integrated Freewheels FXM 120 - 50 MX in the gearbox unit of a vertical bucket conveyor. Alongside the main drive, the bucket conveyor has a creep drive, which can be moved at a low speed if maintenance work needs to be carried out. The freewheel arranged between the creep drive and the main drive works as an overrunning clutch. When the creep drive operates, the freewheel is in driving operation. In normal operation, when driving via the main drive, the inner ring of the freewheel overruns at high speed and automatically disengages the creep drive. The second freewheel that is arranged on the end of the first intermediate shaft of the main gearbox, works as a backstop and prevents the bucket conveyor from running back when the unit is at a standstill.

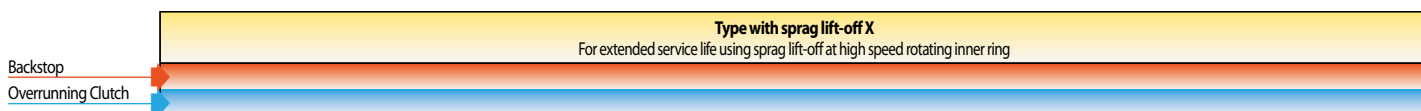


59-3

Application example

Integrated Freewheel FXM 76 - 25 NX as an overrunning clutch between the creep drive and the main drive of a cement mixer. When the creep drive operates, the outer ring is driven by the shaft coupling. The freewheel works in driving operation and drives the unit at a low speed via the main gearbox. In normal operation (freewheeling operation), the inner ring overruns at high speed and the creep drive is automatically disengaged. With the high shaft speed, the type sprag lift-off X is used; the sprags work in freewheeling operation without contact and hence are wear-free. The arrangement of the seals between the freewheel and the main gearbox is advantageous. In freewheeling operation, this is at a standstill and hence generates no additional friction-related temperature rise.

for bolting to the face
with sprag lift-off X



Freewheel Size	Type	Theoretical nominal torque Nm	Nominal torque at existing run out T.I.R.						Sprag lift-off at inner ring speed min ⁻¹	Max. speed	
			0,1 A	0,2 A	0,3 A	0,4 A	0,5 A	Inner ring freewheels/overruns min ⁻¹		Outer ring drives min ⁻¹	
FXM 31 - 17	NX	110	110	105	100			890	5000	356	
FXM 38 - 17	NX	180	170	160	150			860	5000	344	
FXM 46 - 25	NX	460	450	440	430			820	5000	328	
FXM 51 - 25	NX	560	550	540	530			750	5000	300	
FXM 56 - 25	NX	660	650	640	630			730	5000	292	
FXM 61 - 19	NX	520	500	480	460			750	5000	300	
FXM 66 - 25	NX	950	930	910	890			700	5000	280	
FXM 76 - 25	NX	1200	1170	1140	1110			670	5000	268	
FXM 86 - 25	NX	1600	1550	1500	1450			630	5000	252	
FXM 101 - 25	NX	2100	2050	2000	1950			610	5000	244	
FXM 85 - 40	MX	2500	2500	2450	2450	2450	2450	430	6000	172	
FXM 100 - 40	MX	3700	3600	3600	3500	3500	3500	400	4500	160	
FXM 120 - 50	MX	7700	7600	7500	7300	7300	7300	320	4000	128	
FXM 140 - 50	MX	10100	10000	9800	9600	9500	9500	320	3000	128	
FXM 170 - 63	MX	20500	20500	20000	19500	19000	19000	250	2700	100	
FXM 200 - 63	MX	31000	30500	30000	26500	23000	20500	240	2100	96	

The maximum transmissible torque is 2 times the specified nominal torque. See page 14 for determination of selection torque.
The theoretical nominal torque applies only for ideal concentricity between the inner and outer ring. In practice, the concentricity is affected by the bearing play and centering errors of the neighbouring parts. Then the nominal torques specified in the table apply, whilst taking into consideration the existing run out (T.I.R.).
Higher speeds upon request.

Mounting

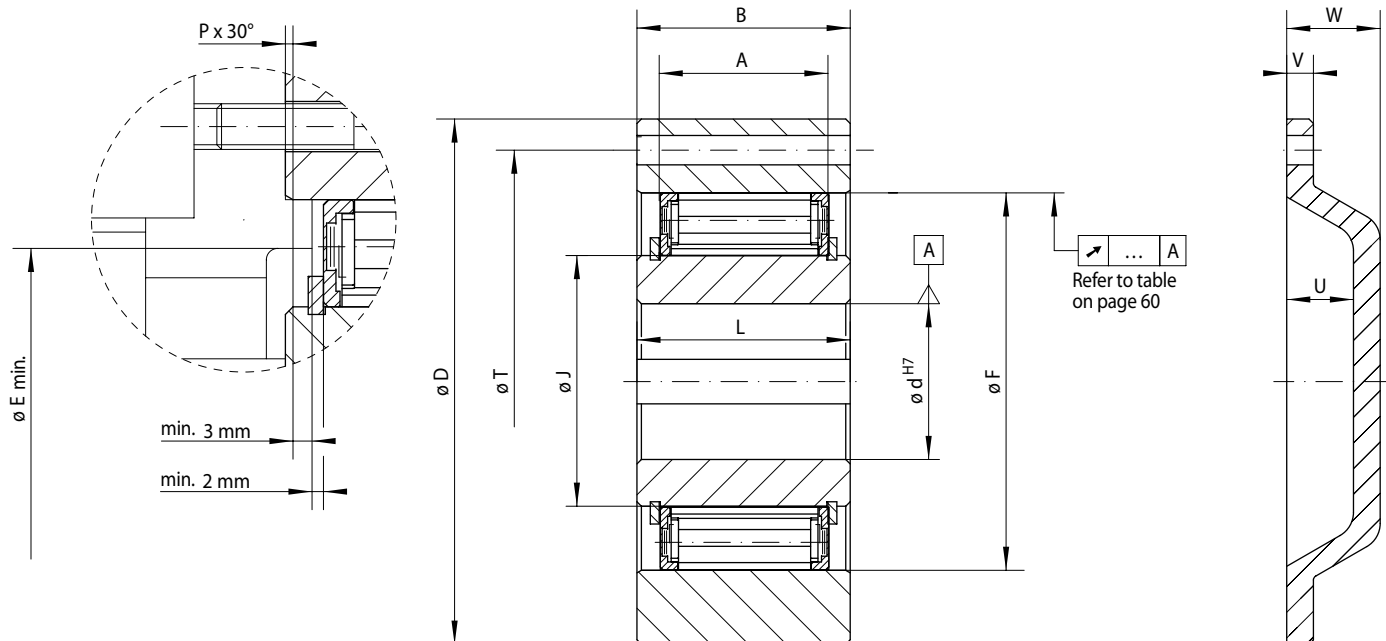
Integrated Freewheels FXM are without bearing support. Concentric alignment of inner and outer ring must be provided by the customer. The permissible run out (T.I.R.) must be observed.

The Integrated Freewheel FXM is centered via the outer track F on the customer attachment part and bolted to this (refer to figure 61-1). The tolerance of the pilot diameter of the attachment part must be ISO h6 or h7.

The tolerance of the shaft must be ISO h6 or j6.

For fitting to shaft ends, end covers can be supplied upon request (refer to figure 61-3).

for bolting to the face
with sprag lift-off X



61-1

61-2

61-3

Freewheel Size	Type	Bore d			A	B	D	E min.	F	G**	J	L	P	T	U	V	W	Z**	Weight
		Standard mm	mm	max. mm															
FXM 31 -17	NX	20*		20*	17	25	85	41	55	M 6	31	24	1,0	70	15	6	21	6	0,8
FXM 38 -17	NX	25*		25*	17	25	90	48	62	M 6	38	24	1,0	75	15	6	21	6	0,9
FXM 46 -25	NX	30		30	25	35	95	56	70	M 6	46	35	1,0	82	15	6	21	6	1,3
FXM 51 -25	NX	35		36	25	35	105	62	75	M 6	51	35	1,0	90	15	6	21	6	1,7
FXM 56 -25	NX	35	40	40	25	35	110	66	80	M 6	56	35	1,0	96	15	6	21	8	1,8
FXM 61 -19	NX	35	40	45*	19	27	120	74	85	M 8	61	25	1,0	105	15	6	21	6	1,8
FXM 66 -25	NX	40	45	48	25	35	132	82	90	M 8	66	35	1,0	115	15	8	23	8	2,8
FXM 76 -25	NX	50	55	60*	25	35	140	92	100	M 8	76	35	1,0	125	15	8	23	8	3,1
FXM 86 -25	NX	50	60	70*	25	40	150	102	110	M 8	86	40	1,0	132	15	8	23	8	4,2
FXM 101 -25	NX	75		80*	25	50	175	117	125	M 10	101	50	1,0	155	20	8	28	8	6,9
FXM 85 -40	MX	60		65	40	50	175	102	125	M 10	85	60	1,0	155	20	8	28	8	7,4
FXM 100 -40	MX	70		80*	40	50	190	130	140	M 10	100	60	1,5	165	25	10	35	12	8,8
FXM 120 -50	MX	80		95	50	60	210	150	160	M 10	120	70	1,5	185	25	10	35	12	12,7
FXM 140 -50	MX	90		110	50	70	245	170	180	M 12	140	70	2,0	218	25	12	35	12	19,8
FXM 170 -63	MX	100		130	63	80	290	200	210	M 16	170	80	2,0	258	28	12	38	12	33,0
FXM 200 -63	MX	120		155	63	80	310	230	240	M 16	200	80	2,0	278	32	12	42	12	33,6

Keyway according to DIN 6885, page 1 • Tolerance of keyway width JS10.

* Keyway according to DIN 6885, page 3 • Tolerance of keyway width JS10.

** Z = Number of fastening holes for screws G on pitch circle T.

Lubrication

At speeds in excess of the sprag lift-off speed, no special lubrication is required; the freewheel functions maintenance-free.

When operating below the sprag lift-off speed, an oil lubrication of the specified oil quality must be provided.

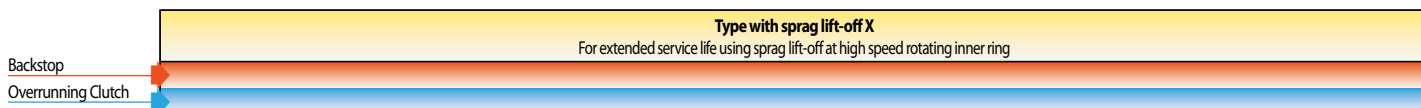
Example for ordering

Freewheel size FXM 140 - 50, type with sprag lift-off X and 90 mm bore and end cover:

- FXM 140 - 50 MX, d = 90 mm, with end cover

Integrated Freewheels FXM ... LX

for bolting to the face
with sprag lift-off X



Freewheel Size	Type	Theoretical nominal torque Nm	Nominal torque at existing run out T.I.R.						Sprag lift-off at inner ring speed min ⁻¹	Max. speed Inner ring freewheels/ overruns min ⁻¹	Outer ring drives min ⁻¹
			0,1 A	0,2 A	0,3 A	0,4 A	0,5 A	0,8 A			
FXM 240 - 63	LX	36500	36000	35500	35500	35000	34500	34000	220	3000	88
FXM 240 - 96	LX	59000	58500	58500	57500	57000	56500	56000	220	2500	88
FXM 2.240 - 70	LX	81000	80500	80000	79500	78500	77500	77000	220	2500	88
FXM 2.240 - 96	LX	117500	116500	116000	114500	113500	112500	111500	220	2500	88
FXM 260 - 63	LX	44500	44000	44000	43500	43000	42500	41500	210	2250	84
FXM 290 - 70	LX	65000	64500	64000	63500	62500	62000	60000	200	2250	80
FXM 290 - 96	LX	95500	95000	94500	93500	92500	91500	84500	200	2250	80
FXM 2.290 - 70	LX	125500	124500	123500	122500	121000	119500	117000	200	2250	80
FXM 2.290 - 96	LX	183000	181500	180000	178500	176500	174500	171000	200	2250	80
FXM 310 - 70	LX	76000	75000	74500	74000	73000	72500	70000	195	2250	78
FXM 310 - 96	LX	112000	111000	110500	109500	108000	107000	99000	195	2100	78
FXM 320 - 70	LX	81000	80500	80000	79500	78500	78000	65500	195	2000	78
FXM 320 - 96	LX	114000	113500	112500	111500	110000	109000	105500	195	2000	78
FXM 2.320 - 70	LX	158000	156500	155500	154000	152500	151000	143000	195	2000	78
FXM 2.320 - 96	LX	225000	223500	221500	220000	217500	215000	209000	195	2000	78
FXM 360 - 100	LX	156000	155000	154000	152500	144000	134500	108000	180	1800	72
FXM 2.360 - 73	LX	208000	206500	204500	203000	201000	199000	163000	180	1800	72
FXM 2.360 - 100	LX	294500	292500	290000	287500	284500	281500	258500	180	1800	72
FXM 410 - 100	LX	194500	193500	192000	190000	188500	179500	145000	170	1500	68
FXM 2.410 - 73	LX	263000	261000	259000	257000	254500	252000	209500	170	1500	68
FXM 2.410 - 100	LX	389500	387000	384000	380500	377000	359500	289500	170	1500	68
FXM 500 - 100	LX	290000	287500	285500	283000	272000	255000	202000	150	1000	60
FXM 2.500 - 100	LX	578000	574000	570000	566000	547000	508000	407000	150	1000	60
FXM 620 - 105	LX	444500	441500	438500	427000	400000	374000	300000	135	1000	54
FXM 2.620 - 105	LX	888000	882000	876000	860000	807000	754000	603000	135	1000	54
FXM 750 - 105	LX	605000	601000	596000	591000	586000	579000	504000	125	800	50
FXM 2.750 - 105	LX	1230000	1220000	1210000	1200000	1190000	1179000	958000	125	800	50

The maximum transmissible torque is 2 times the specified nominal torque. See page 14 for determination of selection torque.
The theoretical nominal torque applies only for ideal concentricity between the inner and outer ring. In practice, the concentricity is affected by the bearing play and centering errors of the neighbouring parts. Then the nominal torques specified in the table apply, whilst taking into consideration the existing run out (T.I.R.).
Higher speeds upon request.

Mounting

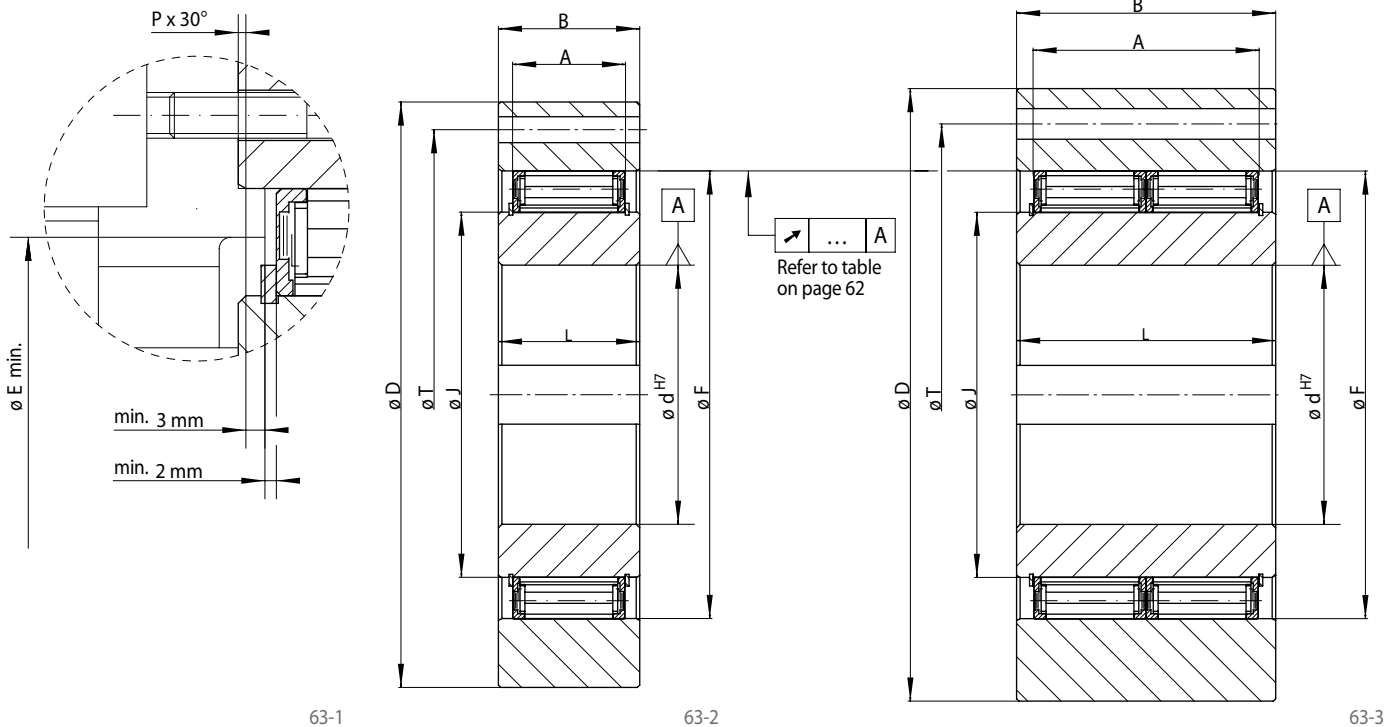
Integrated Freewheels FXM are without bearing support. Concentric alignment of inner and outer ring must be provided by the customer. The permissible run out (T.I.R.) must be observed.

The Integrated Freewheel FXM is centered via the outer track F on the customer attachment part and bolted to this (refer to figure 63-1). The tolerance of the pilot diameter of the attachment part must be ISO h6 or h7.

The tolerance of the shaft must be ISO h6 or j6.

Integrated Freewheels FXM ... LX

for bolting to the face
with sprag lift-off X



Freewheel Size	Type	Bore d max. mm	A mm	B mm	D mm	E min. mm	F mm	G*	J mm	L mm	P mm	T mm	Z*	Weight kg
FXM 240 - 63	LX	185	63	80	400	280	310	M 20	240	90	2,0	360	12	60
FXM 240 - 96	LX	185	96	125	420	280	310	M 24	240	120	2,0	370	16	95
FXM 2.240 - 70	LX	185	140	160	412	280	310	M 20	240	160	2,0	360	24	120
FXM 2.240 - 96	LX	185	192	240	425	280	310	M 24	240	240	2,0	370	24	200
FXM 260 - 63	LX	205	63	80	430	300	330	M 20	260	105	2,0	380	16	75
FXM 290 - 70	LX	230	70	80	460	330	360	M 20	290	105	2,0	410	16	90
FXM 290 - 96	LX	230	96	110	460	330	360	M 20	290	120	2,0	410	16	91
FXM 2.290 - 70	LX	230	140	160	480	330	360	M 24	290	160	2,0	410	18	170
FXM 2.290 - 96	LX	230	192	240	490	330	360	M 30	290	240	2,0	425	20	260
FXM 310 - 70	LX	240	70	125	497	360	380	M 20	310	110	3,0	450	24	135
FXM 310 - 96	LX	240	96	125	497	360	380	M 20	310	120	3,0	450	24	145
FXM 320 - 70	LX	250	70	80	490	360	390	M 24	320	105	3,0	440	16	105
FXM 320 - 96	LX	250	96	120	520	360	390	M 24	320	120	3,0	440	16	150
FXM 2.320 - 70	LX	250	140	180	505	360	390	M 24	320	180	3,0	440	24	200
FXM 2.320 - 96	LX	250	192	240	530	360	390	M 30	320	240	3,0	460	24	310
FXM 360 - 100	LX	280	100	120	540	400	430	M 24	360	125	3,0	500	24	170
FXM 2.360 - 73	LX	280	146	210	550	400	430	M 24	360	210	3,0	500	24	270
FXM 2.360 - 100	LX	280	200	250	580	400	430	M 30	360	250	3,0	500	24	380
FXM 410 - 100	LX	300	100	120	630	460	480	M 24	410	125	3,0	560	24	245
FXM 2.410 - 73	LX	300	146	210	630	460	480	M 24	410	210	3,0	560	24	400
FXM 2.410 - 100	LX	300	200	220	630	460	480	M 30	410	220	3,0	560	24	440
FXM 500 - 100	LX	360	100	130	780	550	570	M 30	500	130	3,0	680	24	310
FXM 2.500 - 100	LX	360	200	230	780	550	570	M 30	500	230	3,0	680	24	560
FXM 620 - 105	LX	460	105	140	980	670	690	M 30	620	140	3,0	840	24	570
FXM 2.620 - 105	LX	460	210	240	980	670	690	M 36	620	240	3,0	840	24	990
FXM 750 - 105	LX	500	105	150	1350	800	820	M 42	750	150	3,0	1000	24	1330
FXM 2.750 - 105	LX	500	210	250	1350	800	820	M 42	750	250	3,0	1000	24	2620

Keyway according to DIN 6885, page 1 • Tolerance of keyway width JS10.

* Z = Number of fastening holes for screws G on pitch circle T.

Lubrication

At speeds in excess of the sprag lift-off speed, no special lubrication is required; the freewheel functions maintenance-free.

When operating below the sprag lift-off speed, an oil lubrication of the specified oil quality must be provided.

Example for ordering

Freewheel size FXM 240 - 63, type with sprag lift-off X and 185 mm bore:

- FXM 240 - 63 LX, d = 185 mm

Integrated Freewheels FON

for bolting to the face
with sprags, available in three types



Application as

- ▶ Backstop
- ▶ Overrunning Clutch
- ▶ Indexing Freewheel

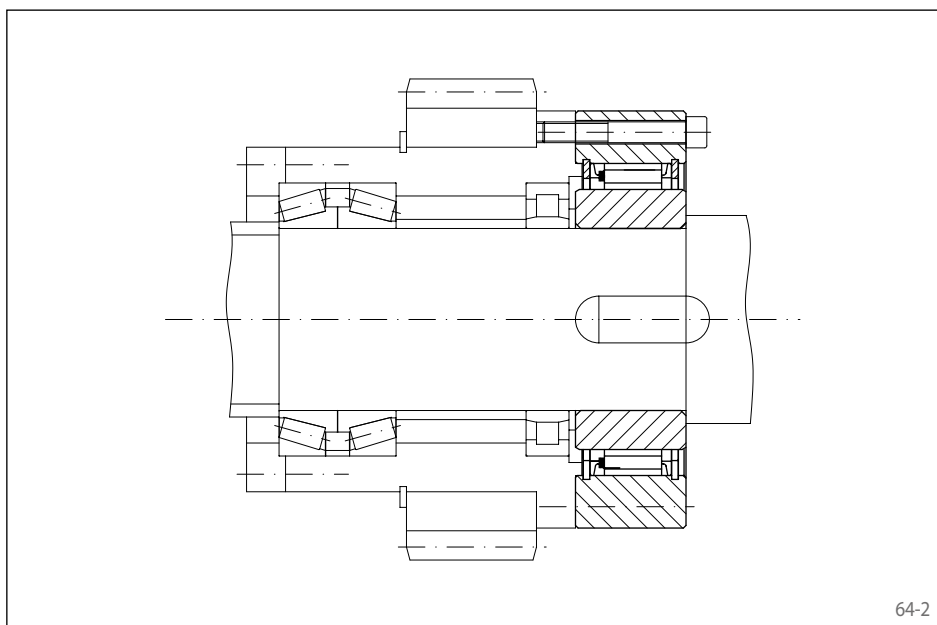
Features

Integrated Freewheels FON are sprag free-wheels without bearing support.

In addition to the standard type, two other types are available for extended service life and indexing accuracy.

Nominal torques up to 25000 Nm.

Bores up to 155 mm. A multitude of standardized bore diameters are available with short delivery times.



Application example

Integrated Freewheel FON 57 SFT as an over-running clutch, arranged on the main drive shaft of a packaging machine. The outer ring is connected to a creep drive by means of a gear wheel. This drive is used during set-up. In this operating state, the freewheel works in driving operation and drives the machine at a very low speed via the main shaft. In normal operation (freewheeling operation), the inner ring overruns and the creep drive is automatically disengaged. The RIDUVIT® sprags give the freewheel an extended service life.

Mounting

Integrated Freewheels FON are without bearing support. Concentric alignment of inner and outer ring must be provided by the customer. The permissible run out (T.I.R.) must be observed.

The Integrated Freewheel FON is centered via the outer track F on the customer attachment part and bolted to this. The tolerance of the pilot diameter of the attachment part must be ISO h6.

The tolerance of the shaft must be ISO h6 or j6.

Lubrication

In the case of standard type and type with RIDUVIT®, an oil lubrication of the specified oil quality must be provided.

In the case of the type with sprag lift-off Z, at speeds in excess of the sprag lift-off speed, no special lubrication is required; the freewheel functions maintenance-free. When operating below the sprag lift-off speed, an oil lubrication of the specified oil quality must be provided.

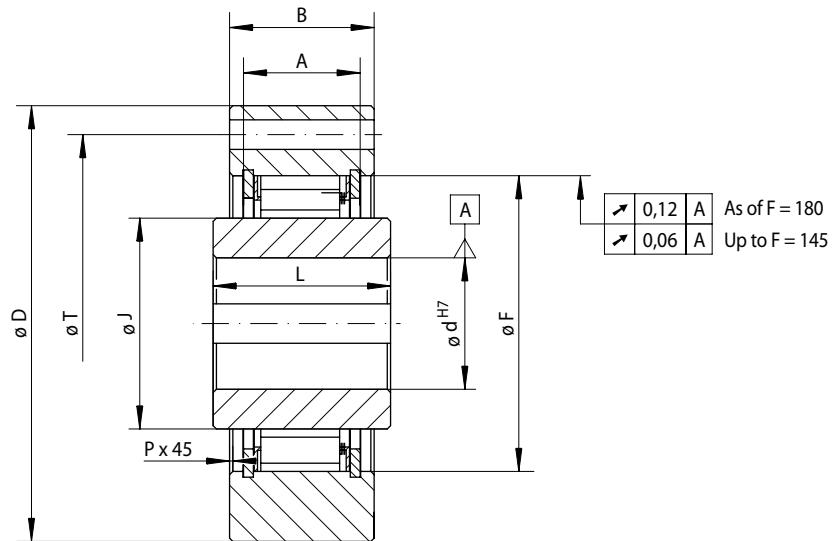
Example for ordering

Freewheel size FON 72, type with RIDUVIT® and 45 mm bore:

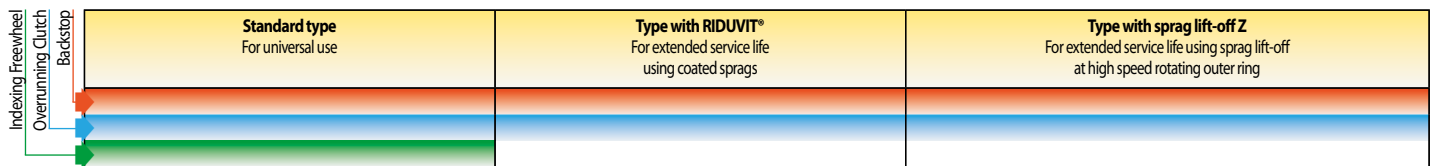
- FON 72 SFT, d = 45 mm

Integrated Freewheels FON

for bolting to the face
with sprags, available in three types



65-1



Freewheel Size	Type	Nominal torque M _N Nm	Max. speed		Type	Nominal torque M _N Nm	Max. speed		Type	Nominal torque M _N Nm	Sprag lift-off at outer ring speed min ⁻¹	Max. speed	
			Inner ring freewheels/overruns min ⁻¹	Outer ring freewheels/overruns min ⁻¹			Inner ring freewheels/overruns min ⁻¹	Outer ring freewheels/overruns min ⁻¹				Outer ring freewheels/overruns min ⁻¹	Inner ring drives min ⁻¹
FON 37	SF	220	2500	2600	SFT	220	2500	2600	SFZ	180	2900	3700	340
FON 44	SF	315	1900	2200	SFT	315	1900	2200	SFZ	250	2250	3000	320
FON 57	SF	630	1400	1750	SFT	630	1400	1750	SFZ	630	2000	2200	560
FON 72	SF	1250	1120	1600	SFT	1250	1120	1600	SFZ	1250	1550	1850	488
FON 82	SF	1900	1025	1450	SFT	1900	1025	1450	SFZ	1700	1450	1600	580
FON 107	SF	2800	880	1250	SFT	2800	880	1250	SFZ	2500	1300	1350	520
FON 127	SF	6300	800	1150	SFT	6300	800	1150	SFZ	5000	1200	1200	480
FON 140	SF	10000	750	1100	SFT	10000	750	1100	SFZ	10000	950	1150	380
FON 170	SF	16000	700	1000	SFT	16000	700	1000	SFZ	14000	880	1000	352
FON 200	SF	25000	630	900	SFT	25000	630	900	SFZ	20000	680	900	272

The maximum transmissible torque is 2 times the specified nominal torque. See page 14 for determination of selection torque.

The specified maximum speeds apply for installation conditions as given with Complete Freewheels. Knowing the actual installation conditions higher speeds can be permitted under some circumstances.

Freewheel Size	Bore d		A mm	B mm	D mm	F mm	G** mm	J mm	L mm	P mm	T mm	Z**	Weight kg
	Standard mm	max. mm											
FON 37	20	25*	18,5	25	85	55	M 6	37	35	0,5	70	6	0,8
FON 44	25	32*	18,5	25	95	62	M 6	44	35	0,5	80	8	1,0
FON 57	30	42*	23,5	30	110	75	M 8	57	45	0,5	95	8	1,7
FON 72	40	55*	29,5	38	132	90	M 8	72	60	1,0	115	12	3,0
FON 82	55	65*	31,0	40	145	100	M 10	82	60	1,0	125	12	4,0
FON 107	70	85*	33,0	45	170	125	M 10	107	65	1,0	150	12	6,0
FON 127	90	100*	58,0	68	200	145	M 12	127	75	1,0	180	12	11,5
FON 140	100	115*	58,0	68	250	180	M 16	140	75	1,0	225	12	17,0
FON 170	120	140*	60,0	70	290	210	M 16	170	75	1,0	258	16	24,0
FON 200	140	155	73,0	85	320	240	M 16	200	85	1,5	288	16	34,0

Keyway according to DIN 6885, page 1 • Tolerance of keyway width JS10.

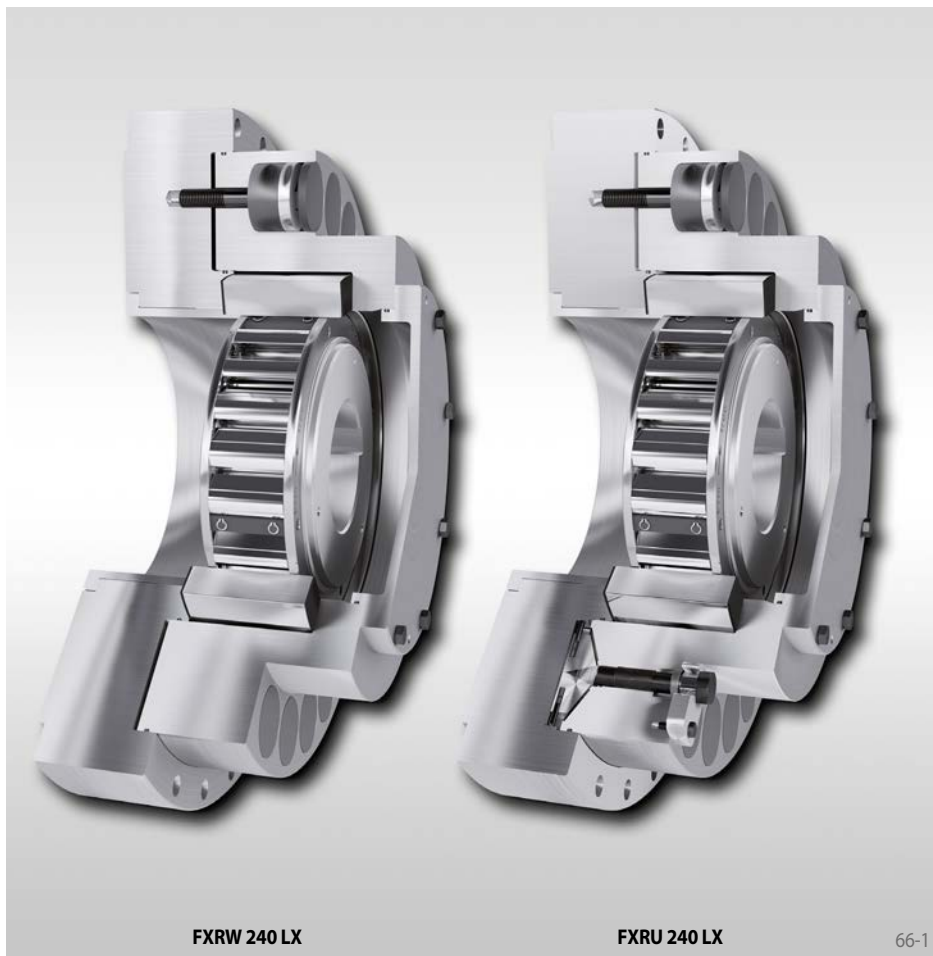
* Keyway according to DIN 6885, page 3 • Tolerance of keyway width JS10.

** Z = Number of fastening holes for screws G on pitch circle T.

Integrated Freewheels FXR ...

for bolting to the face

with sprag lift-off X, torque limiting and optional reverse running function



Application as

▶ Backstop

for continuous conveyor installations with multiple drives in which each drive is equipped with a backstop.

Features

Integrated Freewheels FXR ... are sprag free-wheels without bearing support and with sprag lift-off X. They consist of the Integrated Freewheels FXM (refer to pages 58 to 63) with additional torque limiter. For reversing operation, they can be optionally equipped with a reverse running function. This allows the conveyor belt to run backwards, for example during maintenance work.

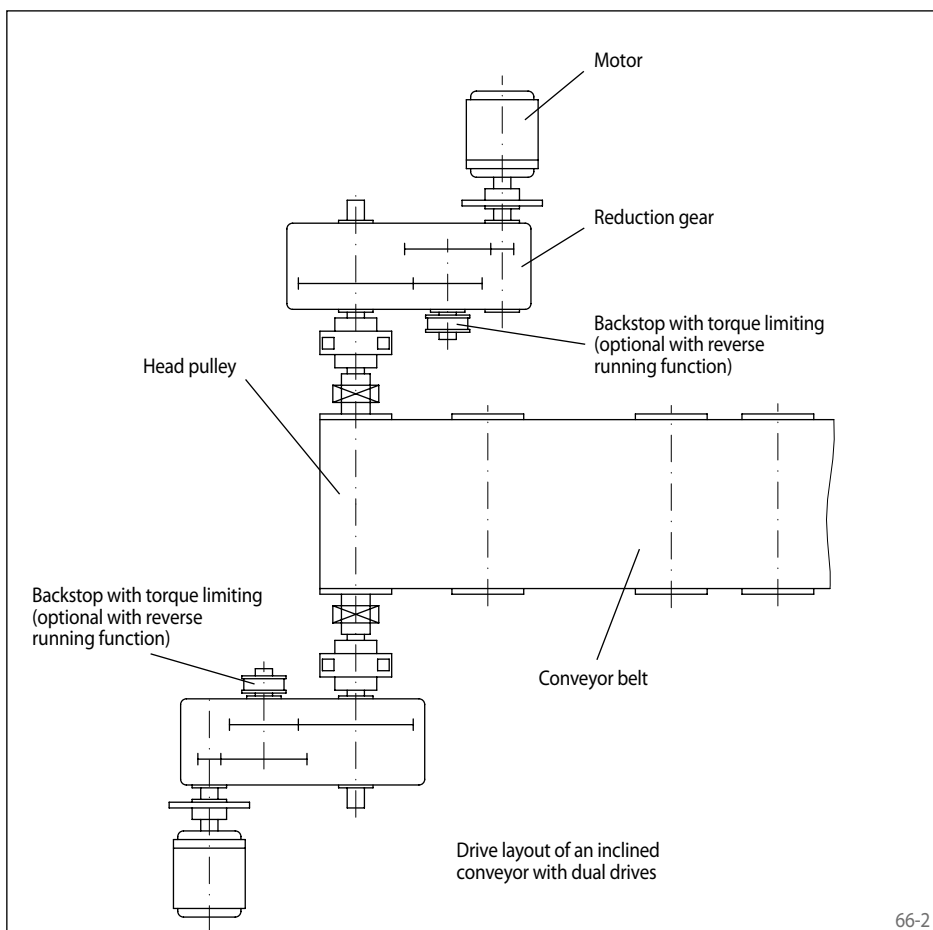
The sprag lift-off X ensures a wear-free free-wheeling operation when the inner ring rotates at high speed.

In continuous conveyor installations with multiple drives it is important to consider the problem of the unequal distribution of backdriving torque to the individual drives and backstops. As soon as the installation comes to a standstill, the entire backdriving torque is applied primarily to a single backstop, due to differences in the play and elasticity of the drives involved. In installations equipped with backstops without torque limiters, the individual gearboxes and the corresponding backstops must be designed to accommodate the entire backdriving torque of the conveyor installation in order to ensure safety.

The problem of the unequal distribution of backdriving torque is solved by using backstops FXR ... with torque limiting. The torque limiter which is built into the backstop slips temporarily when the specified torque is exceeded until the other backstops engage in succession. In this way, the entire backdriving torque of the conveyor installation is distributed to the individual gearboxes and backstops. Furthermore, dynamic peak torques which occur during the locking process are reduced, thereby protecting the gearboxes against damaging peak torques. For this reason the use of backstops FXR ... with torque limiting in continuous conveyor installations with multiple drives enables the application of gearboxes with smaller dimensions.

Advantages

- Protection of gearboxes from overload by unequal load distribution in multiple drives
- Protection of gearboxes from dynamic peak torques during the locking process
- Smaller gearboxes can be used without negatively affecting the safety
- Protection of the backstops, as dynamic peak torques are reduced by temporarily slipping



**for bolting to the face
with sprag lift-off X, torque limiting and optional reverse running function**

Integrated Freewheels FXRW with torque limiting and without release function

This series of backstops with torque limiting is the basic version. The design and the available standard sizes are shown on page 68.

Integrated Freewheels FXRU with torque limiting and with release function

This series is designed in the same way as series FXRW; as an addition, a finely controllable release function is built in. The design, the description of the release function and the available standard sizes are shown on page 69.

The backstops with controllable release function are used if a controlled relaxing of the belt or the unit - perhaps in the case of a jam on the pulley drum - or a limited reverse movement of the conveyor system is required.

Selection torque

The following determination of the selection torque applies to multiple-drives installations in which each drive has the same motor power. Please contact us in case of different motor powers.

If the backdriving torque M_L per drive is known, then the selection torque M_A for the particular backstop should be determined as follows:

$$M_A = 1,2 \cdot M_L \text{ [Nm]}$$

If, however, only the nominal power per drive P_0 [kW] is known, then this applies:

$$M_A = 1,2 \cdot 9550 \cdot F^2 \cdot P_0 / n_{SP} \text{ [Nm]}$$

In these equations:

M_A = Selection torque of the particular backstop [Nm]

$$M_L = 9550 \cdot F \cdot P_L / n_{SP} \text{ [Nm]}$$

= Static backdriving torque of the load for each drive referring to the particular backstop shaft [Nm]

P_L = Lifting capacity per drive at full load [kW]

= Lifting height [m] multiplied by the load that is being conveyed per second divided by the number of drives [kN/s]

P_0 = Nominal power of motor [kW]

n_{SP} = Speed of backstop shaft [min⁻¹]

F = Selection factor

$$= \frac{\text{Lifting capacity}}{\text{Lifting capacity} + \text{Power loss}}$$

After calculating M_A , the size of the particular backstop must be selected in accordance with the catalogue tables in such a way that in all cases this applies:

$$M_R \geq M_A$$

M_R = Maximum slipping torque of the particular backstop in accordance with the table values on pages 68 to 69 [Nm]

Approximate values for F:

Type of installation	F	F2
Conveyor belts, angle up to 6°	0,71	0,50
Conveyor belts, angle up to 8°	0,78	0,61
Conveyor belts, angle up to 10°	0,83	0,69
Conveyor belts, angle up to 12°	0,86	0,74
Conveyor belts, angle up to 15°	0,89	0,79
Screw pumps	0,93	0,87
Ball mills, drying drums	0,85	0,72
Bucket conveyors, elevators	0,92	0,85
Hammer mills	0,93	0,87

In each case, the sum of the slipping torques of the particular backstops must be 1,2 times higher than the static backdriving torque of the installation (also at overload). The torques specified in the tables are maximum values. Lower values can be set upon request. If in doubt, please contact us stating the precise description of the installation and the operating conditions. It is preferable to use the questionnaire on page 106.

Example

Dual-drive system

Motor power per drive: $P_0 = 630$ kW

Type of installation:

Conveyor belt with 8° incline => $F2 = 0,61$

Speed per backstop shaft:

$$n_{SP} = 360 \text{ min}^{-1}$$

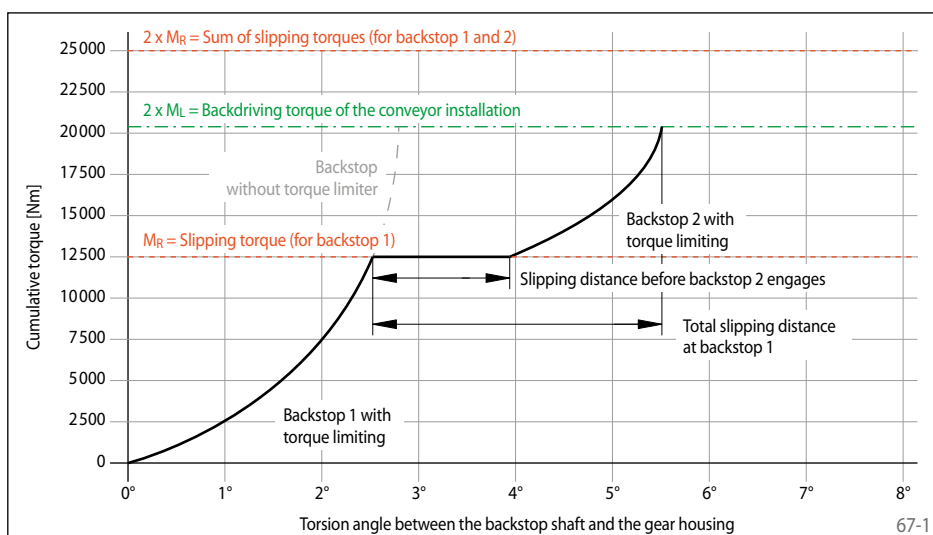
Selection torque of the particular backstop:

$$M_A = 1,2 \cdot 9550 \cdot 0,61 \cdot 630 / 360 \text{ [Nm]} \\ = 12\,234 \text{ Nm}$$

The following rule applies in all cases:

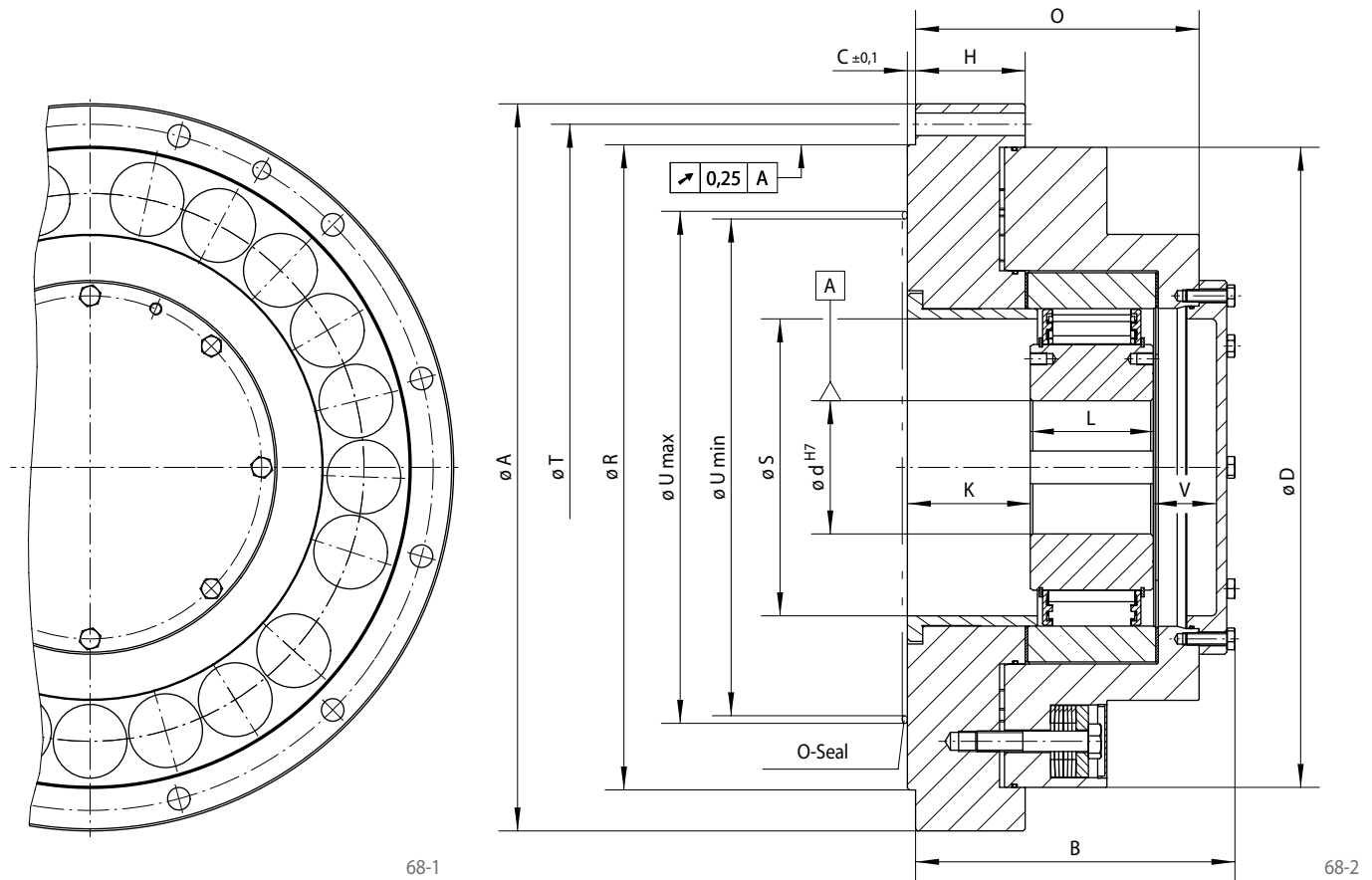
$$M_R \geq M_A$$

=> FXRU or FXRW 140 - 63 MX are the suitable, economical backstop sizes.



Integrated Freewheels FXRW

for bolting to the face
with sprag lift-off X and torque limiting



Backstop	Type with sprag lift-off X For extended service life using sprag lift-off at high speed rotating inner ring		Dimensions																		
	Slipping torque M_R Nm	Sprag lift-off at inner ring speed min^{-1}	A	B	C	D	G**	H	K	L	O	R	S	T	U***		V	Z**	Weight		

Freewheel Size	Type	Slipping torque M_R Nm	Sprag lift-off at inner ring speed min^{-1}	Max. speed Inner ring freewheels min^{-1}	Bore d		A	B	C	D	G**	H	K	L	O	R	S	T	U***		V	Z**	Weight kg
					Standard	max.													min.	max.			
FXRW 85 - 50	MX	3300	430	6000		65	330	176	6	285	M 12	54	67,5	60	151	280	110	308	165	215	38	6	60
FXRW 100 - 50	MX	4700	400	4500		80*	350	181	6	305	M 12	59	67,5	70	156	300	125	328	180	240	33	6	73
FXRW 120 - 50	MX	7300	320	4000		95	400	192	6	345	M 16	69	77,5	70	167	340	145	373	200	260	34	6	101
FXRW 140 - 63	MX	12500	320	3000		110	430	227	6	375	M 16	79	89,5	80	192	375	165	403	220	280	48	6	133
FXRW 170 - 63	MX	19000	250	2700	110	130	500	232	6	445	M 16	89	100	80	205	425	196	473	250	425	36	6	197
FXRW 200 - 63	MX	30000	240	2100	150	155	555	250	6	500	M 16	99	110	80	223	495	226	528	275	495	43	6	274
FXRW 240 - 96	LX	56000	220	2500		185	710	312	8	625	M 20	107	120	120	277	630	290	670	355	630	61	12	525
FXRW 260 - 96	LX	65000	210	2250		205	750	327	8	660	M 20	117	130	120	302	670	310	710	375	670	66	12	619
FXRW 290 - 96	LX	90000	200	2250		230	850	340	8	735	M 24	127	140	120	302	730	330	800	405	730	65	12	852
FXRW 310 - 96	LX	107000	195	2100		240	900	352	10	785	M 24	127	150	120	322	775	355	850	435	775	72	12	1016

Keyway according to DIN 6885, page 1 • Tolerance of keyway width JS10. * Keyway according to DIN 6885, page 3 • Tolerance of keyway width JS10.

** Z = Number of fastening holes for screws G (DIN EN ISO 4762) on pitch circle T. *** Area for O-ring sealing.

Other freewheel sizes upon request.

Torques

The Integrated Freewheels FXRW are supplied with a set slipping torque M_R of the torque limiter. The static backdriving torque M_L of the installation (also in the case of an overload) must under no circumstances achieve the sum of the slipping torques M_R of the provided Integrated Freewheels. The slipping torques M_R specified in the table are maximum values; lower values can be set.

Mounting

The Integrated Freewheels FXRW are without bearing support, therefore it must be ensured that the run out (T.I.R.) between the pilot diameter R and the shaft diameter d does not exceed the value 0,25 mm.

Dimension C applies for the Integrated Freewheel. The centering depth of the customer attachment part must be at least $C + 0,2$ mm. The tolerance of the pilot diameter R of the attachment part must be ISO H7.

The tolerance of the shaft must be ISO h6 or j6.

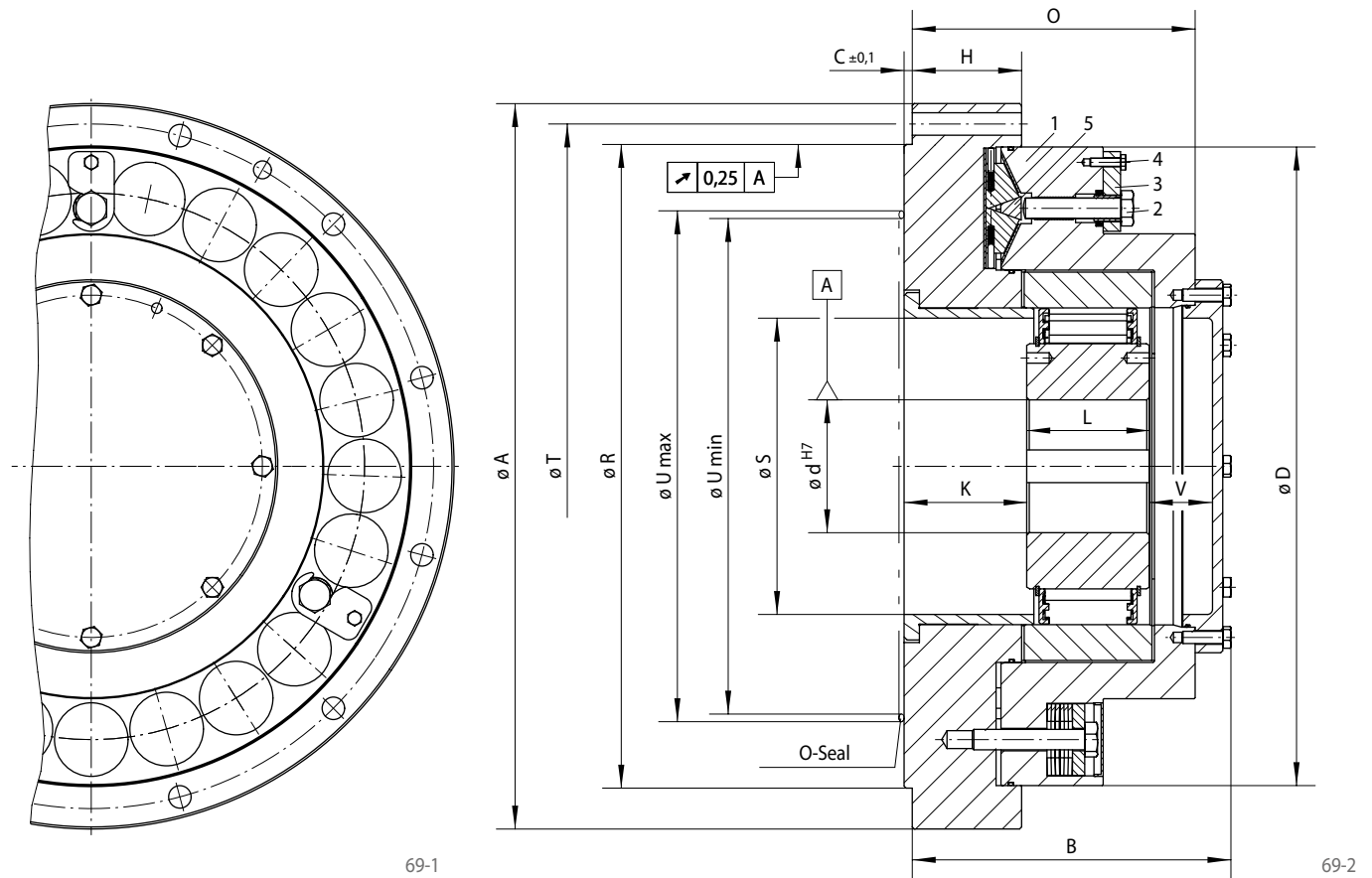
Example for ordering

Freewheel size FXRW 170 - 63 MX, type with sprag lift-off X, 130 mm bore and slipping torque 19 000 Nm:

- FXRW 170 - 63 MX, $d = 130$ mm, $M_R = 19\,000$ Nm

Integrated Freewheels FXRU

for bolting to the face
with sprag lift-off X, torque limiting and release function



Backstop	Type with sprag lift-off X For extended service life using sprag lift-off at high speed rotating inner ring		Dimensions																			
	Slipping torque M_R Nm	Sprag lift-off at inner ring speed min^{-1}	Max. speed Inner ring freewheels min^{-1}	Bore d Standard mm	A mm	B mm	C mm	D mm	G** mm	H mm	K mm	L mm	O mm	R mm	S mm	T mm	U*** min. mm	U*** max. mm	V mm	Z**	Weight kg	
FXRU 85 - 50	MX 3300	430	6000	65	330	176	6	285	M 12	54	67,5	60	151	280	110	308	165	215	38	6	62	
FXRU 100 - 50	MX 4700	400	4500	80*	350	181	6	305	M 12	59	67,5	70	156	300	125	328	180	240	33	6	74	
FXRU 120 - 50	MX 7300	320	4000	95	400	192	6	345	M 16	69	77,5	70	167	340	145	373	200	260	34	6	101	
FXRU 140 - 63	MX 12500	320	3000	110	430	227	6	375	M 16	79	89,5	80	192	375	165	403	220	280	48	6	133	
FXRU 170 - 63	MX 19000	250	2700	110	130	500	232	6	445	M 16	89	100	80	205	425	196	473	250	425	36	6	197
FXRU 200 - 63	MX 30000	240	2100	150	155	555	250	6	500	M 16	99	110	80	223	495	226	528	275	495	43	6	275
FXRU 240 - 96	LX 56000	220	2500	185	710	312	8	625	M 20	107	120	120	277	630	290	670	355	630	61	12	526	
FXRU 260 - 96	LX 65000	210	2250	205	750	327	8	660	M 20	117	130	120	302	670	310	710	375	670	66	12	620	
FXRU 290 - 96	LX 90000	200	2250	230	850	340	8	735	M 24	127	140	120	302	730	330	800	405	730	65	12	853	

Keyway according to DIN 6885, page 1 • Tolerance of keyway width JS10. * Keyway according to DIN 6885, page 3 • Tolerance of keyway width JS10.

** Z = Number of fastening holes for screws G (DIN EN ISO 4762) on pitch circle T. *** Area for O-ring sealing.

Other freewheel sizes upon request.

Torques

The Integrated Freewheels FXRU are supplied with a set slipping torque M_R of the torque limiter. The static backdriving torque M_L of the installation (also in the case of an overload) must under no circumstances achieve the sum of the slipping torques M_R of the provided Integrated Freewheels. The slipping torques M_R specified in the table are maximum values; lower values can be set.

Mounting

The Integrated Freewheels FXRU are without bearing support, therefore it must be ensured that the run out (T.I.R.) between the pilot diameter R and the shaft diameter d does not exceed the value 0,25 mm.

Dimension C applies for the Integrated Freewheel. The centering depth of the customer attachment part must be at least $C + 0,2$ mm. The tolerance of the pilot diameter R of the attachment part must be ISO H7.

The tolerance of the shaft must be ISO h6 or j6.

Release function

The finely controllable release function consists basically of three special screws (2) that are located in the spring pocket (1), safety tabs (3) and wedge systems (5). To release the backstop, first of all the special screws (2) and hexagon screws (4) have to be unscrewed slightly. Then the safety tabs (3) have to be turned outwards and in this position fixed with the hexagon screws (4). The special screws (2) can then be tightened, whereupon, with the aid of the wedge system (5) the release procedure is finely initiated.

for press fit on the outer ring
with sprag lift-off X



Application as

- ▶ Backstop
- ▶ Overrunning Clutch

For application as backstop in installations with high speeds in freewheeling operation.

For application as overrunning clutch in installations with low speeds in driving operation.

Features

Internal Freewheels FXN are sprag freewheels without bearing support and with sprag lift-off X. The sprag lift-off X ensures a wear-free free-wheeling operation when the inner ring rotates at high speed.

The outer ring is pressed into the customer housing. This makes compact, space-saving fitting solutions possible.

Nominal torques up to 20 500 Nm. The torque is transmitted on the outer ring by press fit.

Bores up to 130 mm. A multitude of standardized bore diameters are available with short delivery times

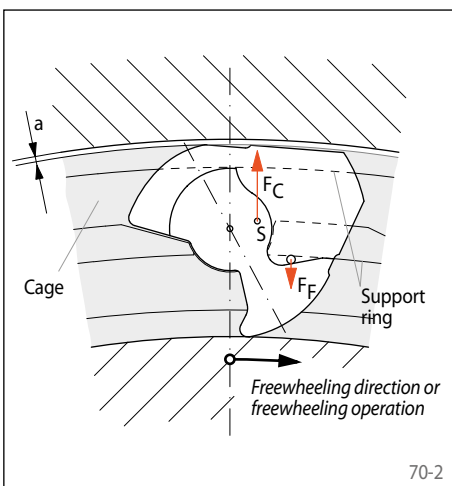
70-1

Sprag lift-off X

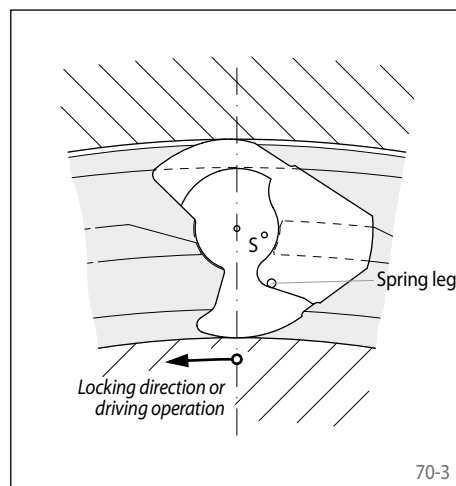
Internal Freewheels FXN are equipped with sprag lift-off X. The sprag lift-off X is used for backstops and overrunning clutches, provided that in freewheeling operation the inner ring is rotating at high speed and providing with over-running clutches that the driving operation is conducted at low speed. In freewheeling operation, the centrifugal force F_C causes the sprag to lift off from the outer track. In this operating state, the freewheel works wear-free, i.e. with unlimited service life.

Figure 70-2 shows a freewheel with sprag lift-off X in freewheeling operation. The sprags, which are supported in a cage connected with the inner ring, rotate with the inner ring. The centrifugal force F_C that is applied in the center of gravity S of the sprag turns the sprag counter-clockwise and rests against the support ring of the cage. This results in the gap a between the sprag and the outer track; the freewheel works without contact. If the inner ring speed decreases to such an extent that the effect of

the centrifugal force on the sprag is less than that of the spring force F_F , the sprag again rests on the outer ring and the freewheel is ready to lock (figure 70-3). If used as an overrunning clutch, the driving speed must not exceed 40% of the lift-off speed.

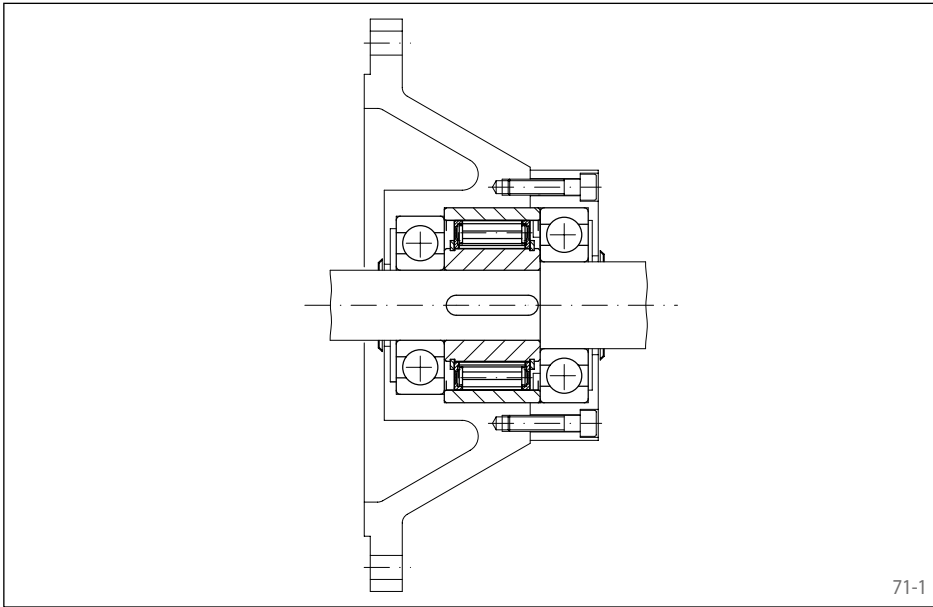


70-2



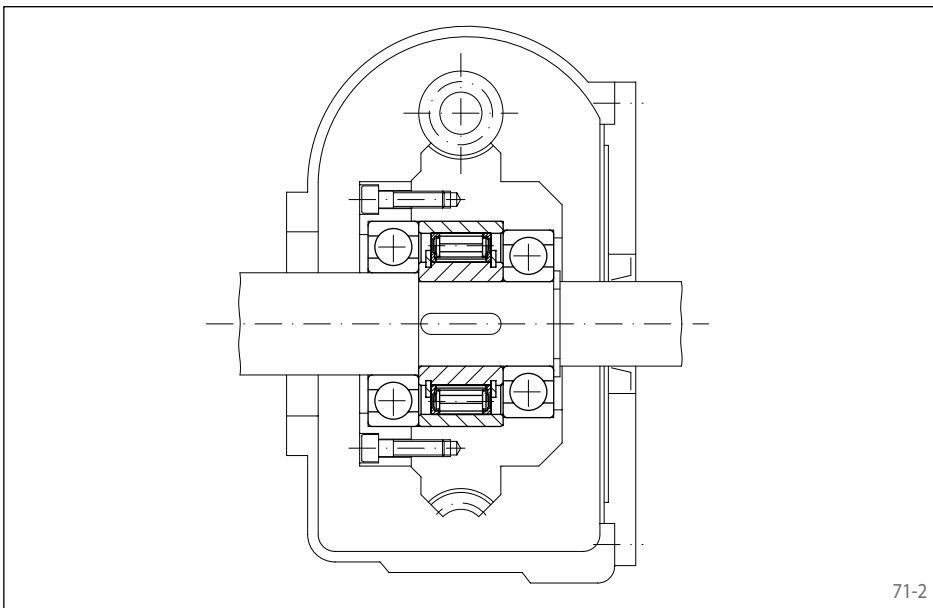
70-3

for press fit on the outer ring
with sprag lift-off X



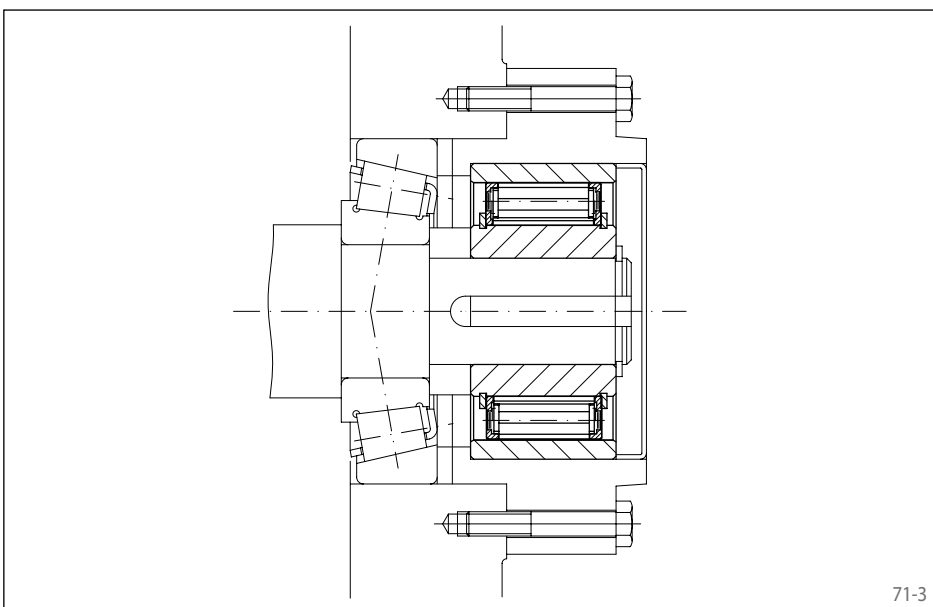
Application example

Internal Freewheel FXN 38 - 17/70 NX as a backstop, arranged in a housing adapter to attach to an electric motor. The thin outer ring that is pressed into the housing enables a space-efficient fitting solution. Due to the high shaft speeds in normal operation (freewheeling operation), the sprag lift-off X ensures a contactless and hence wear-free continuous operation.



Application example

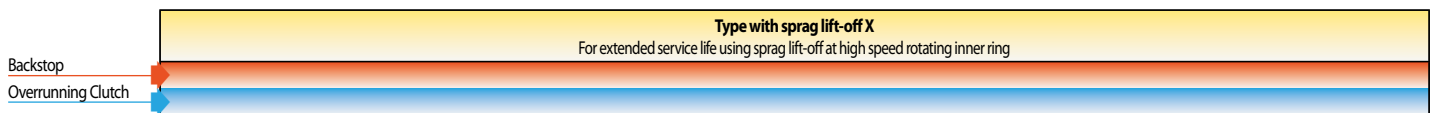
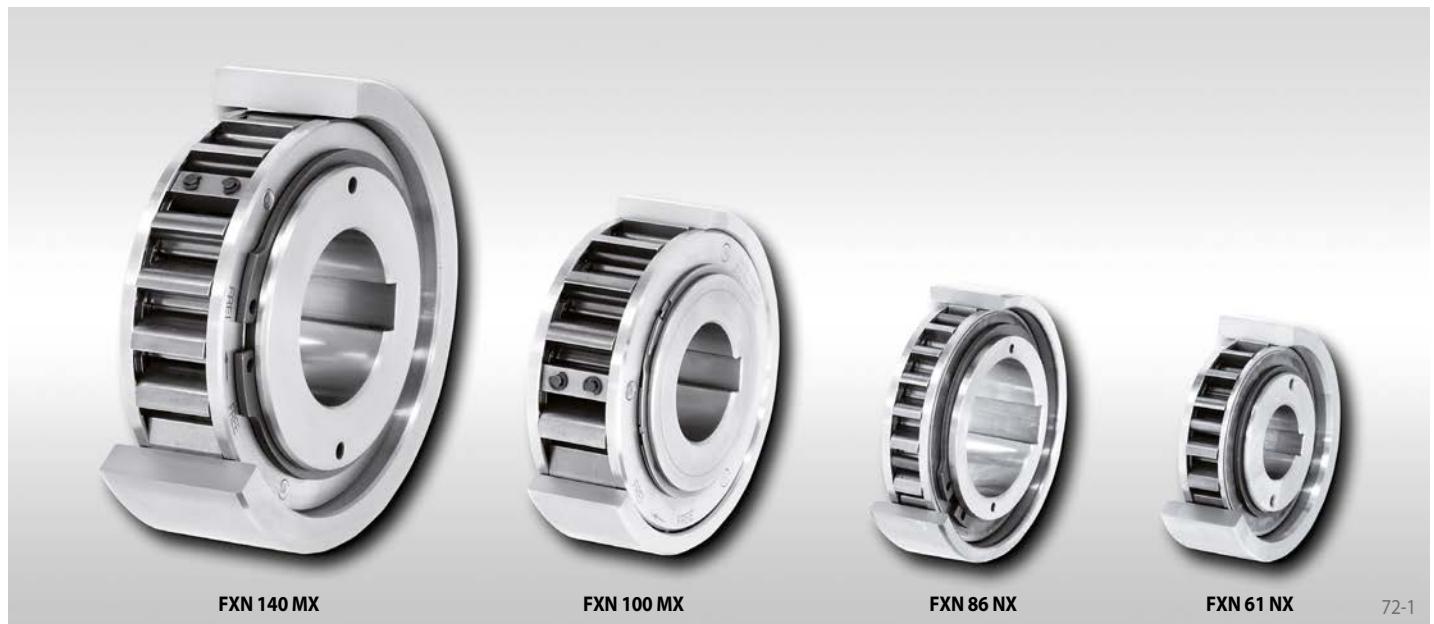
Internal Freewheel FXN 66 - 25/100 NX as an overrunning clutch in the creep drive of a textile machine. The freewheel installation is compactly solved by means of the thin outer ring that is pressed into the worm wheel. During set-up, the machine is driven by the worm gear and the freewheel that is working in driving operation. In normal operation (freewheeling operation), the inner ring that is located on the high speed main drive shaft overruns and automatically disengages the creep drive. With the high overrunning speed of the inner ring, the type with sprag lift-off X is used; the sprags work in freewheeling operation without contact and hence are wear-free.



Application example

Internal Freewheel FXN 85 - 40/140 MX as a backstop fitted to the end of the first intermediate shaft of a spur gearbox in the drive of an inclined conveyor belt. In the case of a motor stop the conveyor belt must be held securely so that the conveyor goods do not pull the belt backwards and possibly cause serious damage. Due to the high shaft speeds in normal operation (freewheeling operation), the sprag lift-off X ensures a contactless and hence wear-free continuous operation.

for press fit on the outer ring
with sprag lift-off X



Freewheel Size	Type	Theoretical nominal torque Nm	Nominal torque at existing run out T.I.R.					Sprag lift-off at inner ring speed min ⁻¹	Max. speed	
			0,1 A	0,2 A	0,3 A	0,4 A	0,5 A		Inner ring freewheels/overruns min ⁻¹	Outer ring drives min ⁻¹
FXN 31 - 17/60	NX	110	110	105	100			890	5000	356
FXN 31 - 17/62	NX	110	110	105	100			890	5000	356
FXN 38 - 17/70	NX	180	170	160	150			860	5000	224
FXN 46 - 25/80	NX	460	450	440	430			820	5000	328
FXN 51 - 25/85	NX	560	550	540	530			750	5000	300
FXN 56 - 25/90	NX	660	650	640	630			730	5000	292
FXN 61 - 19/95	NX	520	500	480	460			750	5000	300
FXN 61 - 19/106	NX	520	500	480	460			750	5000	300
FXN 66 - 25/100	NX	950	930	910	890			700	5000	280
FXN 66 - 25/110	NX	950	930	910	890			700	5000	280
FXN 76 - 25/115	NX	1200	1170	1140	1110			670	5000	268
FXN 76 - 25/120	NX	1200	1170	1140	1110			670	5000	268
FXN 86 - 25/125	NX	1600	1550	1500	1450			630	5000	252
FXN 86 - 25/130	NX	1600	1550	1500	1450			630	5000	252
FXN 101 - 25/140	NX	2100	2050	2000	1950			610	5000	244
FXN 101 - 25/150	NX	2100	2050	2000	1950			610	5000	244
FXN 85 - 40/140	MX	2500	2500	2450	2450	2450	2450	430	6000	172
FXN 85 - 40/150	MX	2500	2500	2450	2450	2450	2450	430	6000	172
FXN 100 - 40/160	MX	3700	3600	3600	3500	3500	3500	400	4500	160
FXN 105 - 50/165	MX	5200	5200	5100	5000	5000	5000	380	4500	152
FXN 120 - 50/198	MX	7700	7600	7500	7300	7300	7300	320	4000	128
FXN 140 - 50/215	MX	10100	10000	9800	9600	9500	9500	320	3000	128
FXN 170 - 63/258	MX	20500	20500	20000	19500	19000	19000	250	2700	100

The maximum transmissible torque is 2 times the specified nominal torque. See page 14 for determination of selection torque.
The theoretical nominal torque applies only for ideal concentricity between the inner and outer ring. In practice, the concentricity is affected by the bearing play and centering errors of the neighbouring parts.
Then the nominal torques specified in the table apply, whilst taking into consideration the existing run out (T.I.R.).
Higher speeds upon request.

Mounting

Internal Freewheels FXN are without bearing support. Concentric alignment of inner and outer ring must be provided by the customer. The permissible run out (T.I.R.) must be observed.

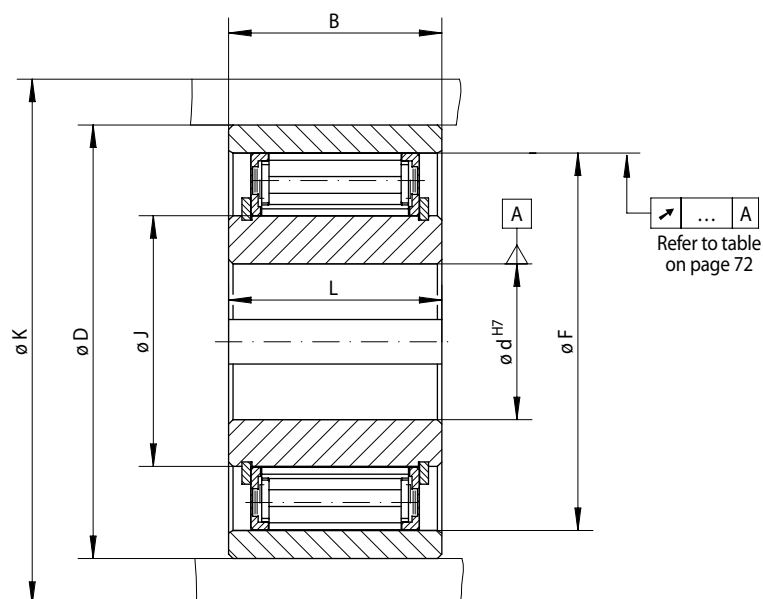
The torque is transmitted on the outer ring by press fit. In order to transmit the torques specified in the table, the outer ring must be

accommodated in a housing with an external diameter K. The housing is made of steel or grey cast iron in minimum quality GG-20. When using other housing materials or smaller external diameters, we urge you to contact us regarding the transmissible torque.

The tolerance of the housing bore is specified in the table under dimension D.

The tolerance of the shaft must be ISO h6 or j6.

for press fit on the outer ring
with sprag lift-off X



73-1

Freewheel Size	Type	Bore d			B mm	D mm	F mm	J mm	K min. mm	L mm	Weight kg
		Standard mm	mm	max. mm							
FXN 31 - 17/60	NX	20*		20*	25	60 P6	55	31	85	24	0,3
FXN 31 - 17/62	NX	20*		20*	25	62 P6	55	31	85	24	0,4
FXN 38 - 17/70	NX	25*		25*	25	70 P6	62	38	90	24	0,4
FXN 46 - 25/80	NX	30		30	35	80 P6	70	46	95	35	0,8
FXN 51 - 25/85	NX	35		36	35	85 P6	75	51	105	35	0,8
FXN 56 - 25/90	NX	35	40	40	35	90 P6	80	56	110	35	0,9
FXN 61 - 19/95	NX	35	40	45*	26	95 P6	85	61	120	25	0,8
FXN 61 - 19/106	NX	35	40	45*	25	106 H7	85	61	120	25	1,2
FXN 66 - 25/100	NX	40	45	48	30	100 P6	90	66	132	35	1,1
FXN 66 - 25/110	NX	40	45	48	40	110 P6	90	66	132	35	1,8
FXN 76 - 25/115	NX	50	55	60*	40	115 P6	100	76	140	35	1,7
FXN 76 - 25/120	NX	50	55	60*	32	120 J6	100	76	140	35	1,8
FXN 86 - 25/125	NX	50	60	70*	40	125 P6	110	86	150	40	2,3
FXN 86 - 25/130	NX	50	60	70*	40	130 P6	110	86	150	40	2,6
FXN 101 - 25/140	NX	75		80*	45	140 P6	125	101	175	50	3,1
FXN 101 - 25/150	NX	75		80*	45	150 P6	125	101	175	50	3,6
FXN 85 - 40/140	MX	60		65	45	140 P6	125	85	175	60	3,2
FXN 85 - 40/150	MX	60		65	45	150 P6	125	85	175	60	4,2
FXN 100 - 40/160	MX	70		80*	50	160 P6	140	100	190	60	5,1
FXN 105 - 50/165	MX	80		85	62	165 P6	145	105	195	62	5,8
FXN 120 - 50/198	MX	80		95	70	198 H6	160	120	210	70	8,6
FXN 140 - 50/215	MX	90		110	69	215 J6	180	140	245	70	14,0
FXN 170 - 63/258	MX	100		130	80	258 H6	210	170	290	80	21,0

Keyway according to DIN 6885, page 1 • Tolerance of keyway width JS10.
* Keyway according to DIN 6885, page 3 • Tolerance of keyway width JS10.

Lubrication

At speeds in excess of the sprag lift-off speed, no special lubrication is required; the freewheel functions maintenance-free.

When operating below the sprag lift-off speed, an oil lubrication of the specified quality must be provided.

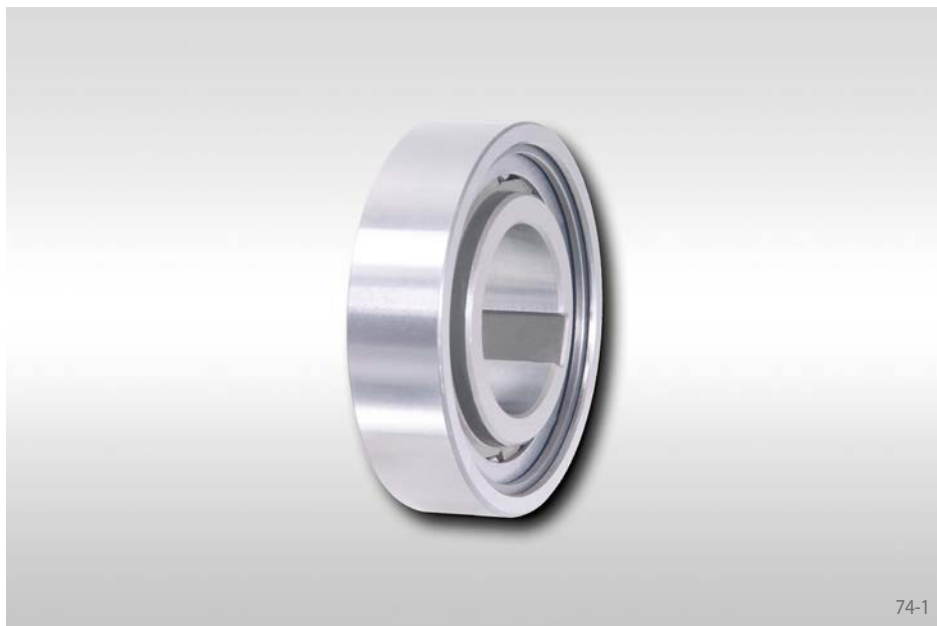
Example for ordering

Freewheel size FXN 61-19/95, type with sprag lift-off X and 35 mm bore:

- FXN 61-19/95 NX, d = 35 mm

Internal Freewheels FCN ... R

for press fit on the outer ring
with rollers



74-1

Application as

- ▶ Backstop
- ▶ Overrunning Clutch
- ▶ Indexing Freewheel

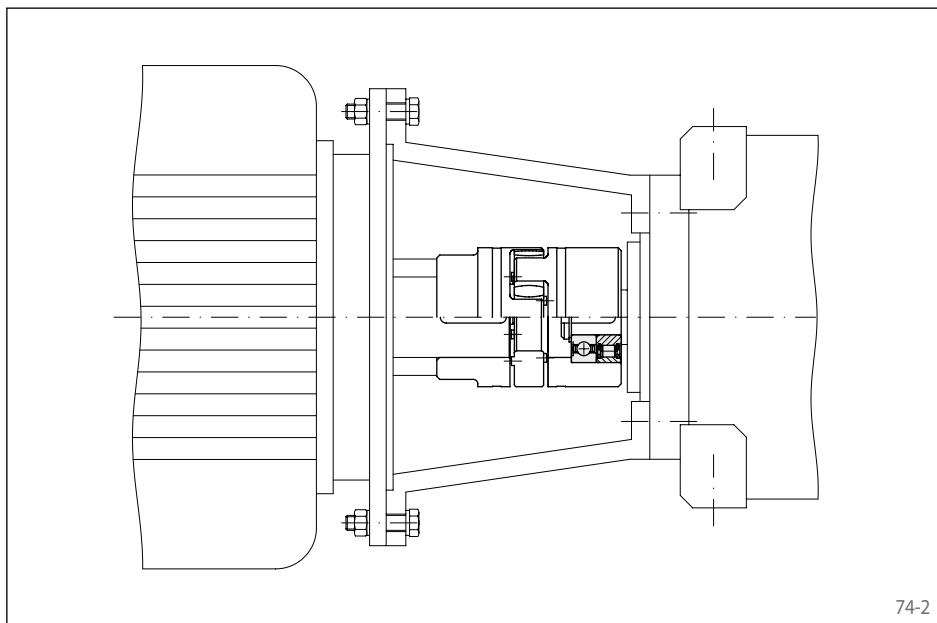
Features

Internal Freewheels FCN ... R are roller free-wheels without bearing support and with series 62 ball bearing dimensions.

The outer ring is pressed into the customer housing. This makes compact, space-saving fitting solutions possible.

Nominal torques up to 840 Nm. The torque is transmitted on the outer ring by press fit.

Bores up to 80 mm.

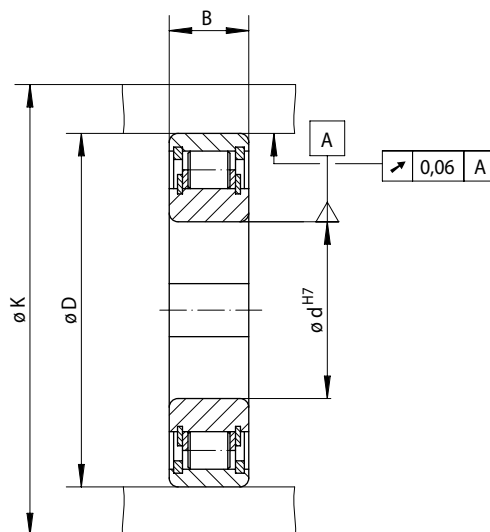


74-2

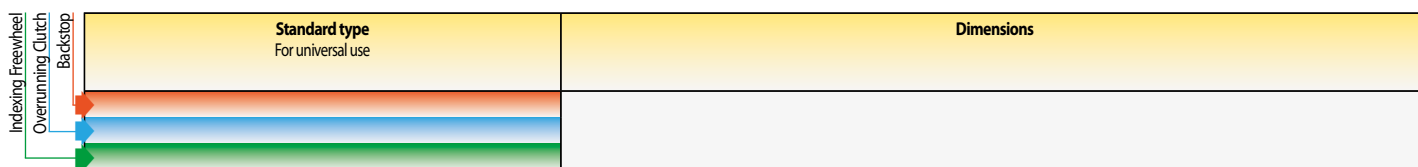
Application example

Internal Freewheel FCN 30 R as overrunning freewheel in the drive of the roof brush of an automatic car washing facility. The freewheel is arranged in the hub of a shaft coupling that connects the motor and the reduction gear. The freewheel prevent the drive from pushing the roof brush uncontrolled down onto the car roof in the event of a fault. The roof brush is raised by the freewheels that are working in driving operation. The direction of motor rotation changes in order to lower the brush. The downwards movement of the roof brush is performed by its own weight at the speed specified by the motor. In the case of an uncontrolled lowering of the roof brush on the car roof, the drive is automatically disengaged via the freewheel. The brush rests on the roof under its own weight, while the freewheel which is working in driving operation enables the drive to continue to turn in the lowering direction without causing any damage.

for press fit on the outer ring
with rollers



75-1



Freewheel Size	Type	Nominal torque M_N Nm	Max. speed		Bore d mm	B mm	D mm	K mm	Weight kg
			Inner ring freewheels/ overruns min^{-1}	Outer ring freewheels/ overruns min^{-1}					
FCN 8	R	3,2	4300	6700	8	8	24	28	0,02
FCN 10	R	7,3	3500	5300	10	9	30	35	0,03
FCN 12	R	11,0	3200	5000	12	10	32	37	0,05
FCN 15	R	12,0	2800	4400	15*	11	35	40	0,08
FCN 20	R	40,0	2200	3300	20*	14	47	54	0,12
FCN 25	R	50,0	1900	2900	25*	15	52	60	0,15
FCN 30	R	90,0	1600	2400	30*	16	62	70	0,24
FCN 35	R	135,0	1350	2100	35*	17	72	80	0,32
FCN 40	R	170,0	1200	1900	40*	18	80	90	0,40
FCN 45	R	200,0	1150	1750	45*	19	85	96	0,45
FCN 50	R	220,0	1050	1650	50*	20	90	100	0,50
FCN 60	R	420,0	850	1350	60*	22	110	122	0,80
FCN 80	R	840,0	690	1070	80*	26	140	155	1,40

The maximum transmissible torque is 2 times the specified nominal torque. See page 14 for determination of selection torque.

Keyway according to DIN 6885, page 1 • Tolerance of keyway width JS10.

* Keyway according to DIN 6885, page 3 • Tolerance of keyway width JS10.

Mounting

Internal freewheels FCN ... R are without bearing support. Concentric alignment of inner and outer ring must be provided by the customer.

The torque is transmitted on the outer ring by press fit. In order to transmit the torques specified in the table, the outer ring must be accommodated in a housing with an external diameter K. The housing is made of steel or grey cast iron in minimum quality GG-20. When using other housing materials or smaller external diameters, we urge you to contact us regarding the transmissible torque.

The tolerance of the housing bore D must be ISO H7 or J6 and the tolerance of the shaft must be ISO h6 or j6.

Lubrication

An oil lubrication of the specified quality must be provided.

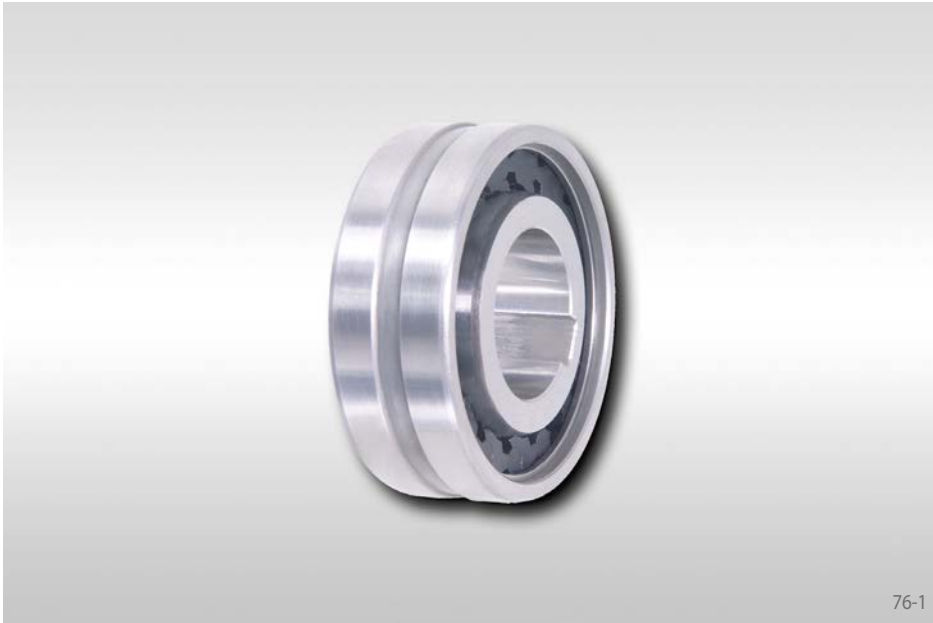
Example for ordering

Freewheel size FCN 30, standard type:

- FCN 30 R

Internal Freewheels FDN

for press fit on the outer ring
with sprags



76-1

Application as

- ▶ Backstop
- ▶ Overrunning Clutch
- ▶ Indexing Freewheel

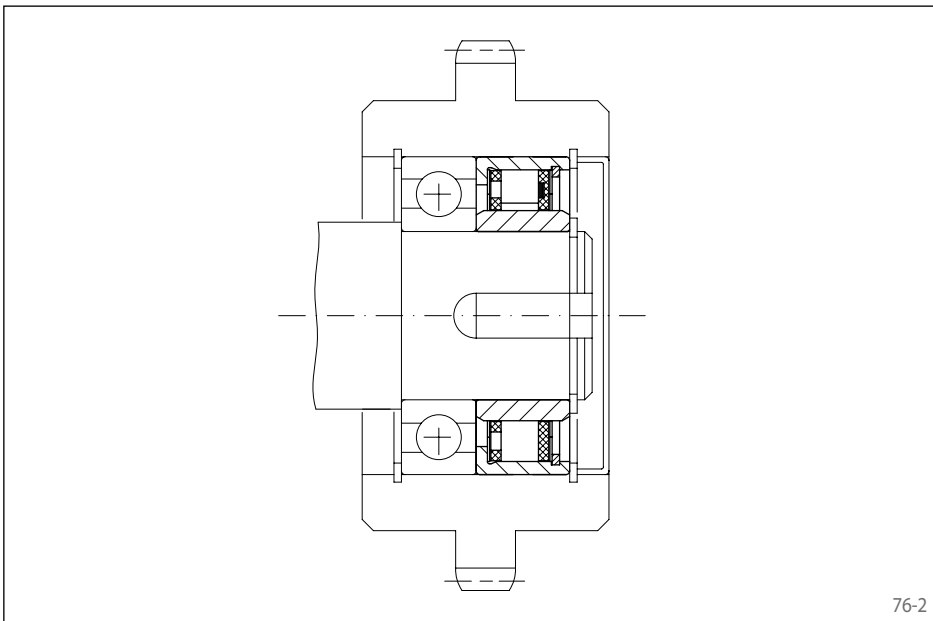
Features

Internal Freewheels FDN are sprag freewheels with anti-friction bearing dimensions.

The standard type does not have bearing support. In the case of the standard type, every second sprag has been replaced by a cylindrical roller; this freewheel can accept radial forces.

Nominal torques up to 2 400 Nm. The torque is transmitted on the outer ring by press fit.

Bores up to 80 mm. A multitude of standardized bore diameters are available with short delivery times.

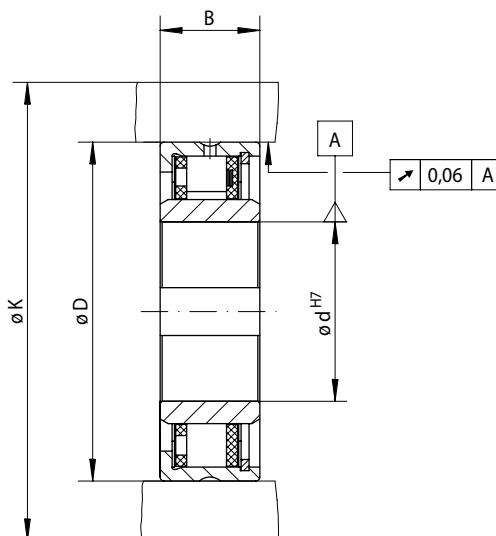


76-2

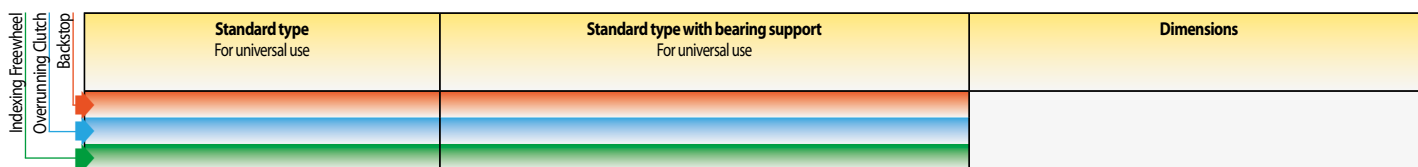
Application example

Internal Freewheel FDN 40 CFR in standard type with bearing support as an overrunning clutch on the shaft end of the main drive of a textile machine. The gear wheel is linked to an auxiliary drive. In normal operation (freewheeling operation) the inner ring overruns and the gear wheel with the pressed-in outer ring is at a standstill. During set-up, the machine is driven by the slowly running auxiliary drive via the gear wheel and the freewheel that is working in driving operation.

for press fit on the outer ring
with sprags



77-1



Freewheel Size	Type	Nominal torque M _N Nm	Max. speed		Type	Nominal torque M _N Nm	Max. speed		Load rating of bearing support		Bore d		B mm	D mm	K mm	Weight kg
			Inner ring freewheels/ overruns min ⁻¹	Outer ring freewheels/ overruns min ⁻¹			Inner ring freewheels/ overruns min ⁻¹	Outer ring freewheels/ overruns min ⁻¹	dynamic C N	static C ₀ N	Standard mm	max. mm				
FDN 15	CFH	16	3875	3925	CFR	8	3875	3925	7800	4200	8	8	20	37	50	0,1
FDN 20	CFH	28	3375	3450	CFR	14	3375	3450	8300	4200	12	12	20	42	55	0,1
FDN 25	CFH	48	2900	3050	CFR	24	2900	3050	10700	5600	15	15	20	47	60	0,1
FDN 30	CFH	75	2525	2675	CFR	36	2525	2675	12900	7000	20*	20*	20	52	65	0,2
FDN 40	CFH	160	1900	2150	CFR	71	1900	2150	15000	8400	25	28*	22	62	80	0,2
FDN 50	CFH	260	1475	1775	CFR	120	1475	1775	18400	11300	35	35	22	72	95	0,4
FDN 65	CFH	430	1200	1550	CFR	200	1200	1550	21400	14100	50	50*	25	90	120	0,7
FDN 80	CFH	650	950	1350	CFR	300	950	1350	23800	17800	60	60	25	110	140	1,2
FDN 105	CFH	2400	800	1175	CFR	1100	800	1175	48600	45000	75	80	35	130	165	3,2

The maximum transmissible torque is 2 times the specified nominal torque. See page 14 for determination of selection torque.

The maximum speed values listed above apply to installation conditions as they are given for Complete Freewheels. If the actual installation conditions are known, higher speeds may be permitted under certain circumstances.

Keyway according to DIN 6885, page 1 • Tolerance of keyway width JS10.

* Keyway according to DIN 6885, page 3 • Tolerance of keyway width JS10.

Mounting

Internal freewheels FDN in standard type are without bearing support. Concentric alignment of inner and outer ring must be provided by the customer. The permissible run out (T.I.R.) must be observed.

The torque is transmitted on the outer ring by press fit. In order to transmit the torques specified in the table, the outer ring must be accommodated in a housing with an external diameter K. The housing is made of steel or grey cast iron in minimum quality GG-20. When using other housing materials or smaller external diameters, we urge you to contact us regarding the transmissible torque.

The tolerance of the housing bore D must be ISO P6 and the tolerance of the shaft must be ISO h6 or j6.

The permissible operating temperature of the freewheel is - 40 °C to 80 °C.

Lubrication

An oil lubrication of the specified quality must be provided.

Example for ordering

Freewheel size FDN 30, standard type with 20 mm bore:

- FDN 30 CFH, d = 20 mm

Internal Freewheels FD

for press fit on the outer ring
with sprags



78-1

Application as

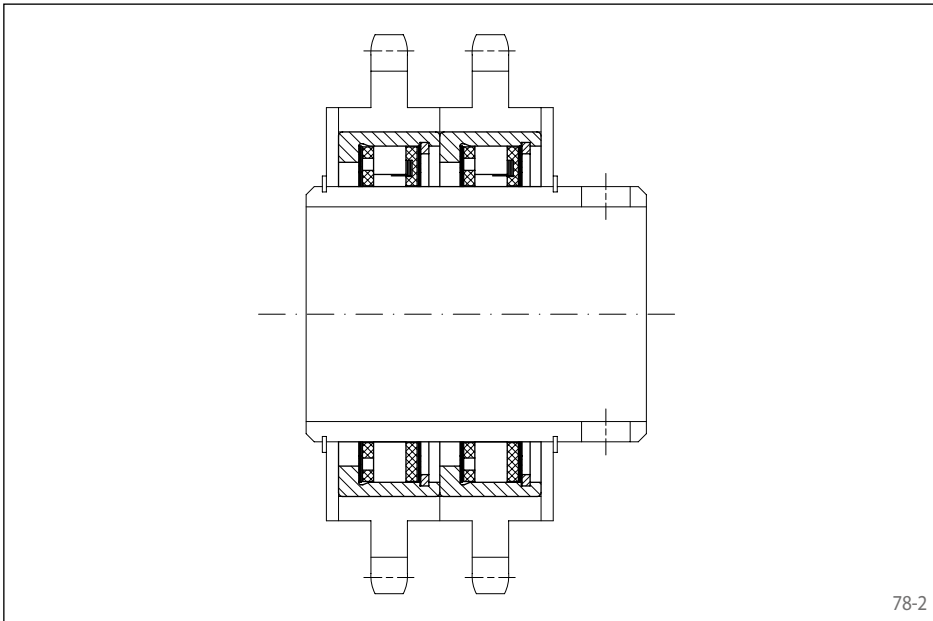
- ▶ Backstop
- ▶ Overrunning Clutch
- ▶ Indexing Freewheel

Features

Internal Freewheels FD are sprag freewheels without an inner ring. The customers hardened and ground shaft is used as the inner track.

The standard type does not have bearing support. In the case of the standard type, every second sprag has been replaced by a cylindrical roller; this freewheel can accept radial forces.

Nominal torques up to 2 400 Nm. The torque is transmitted on the outer ring by press fit.

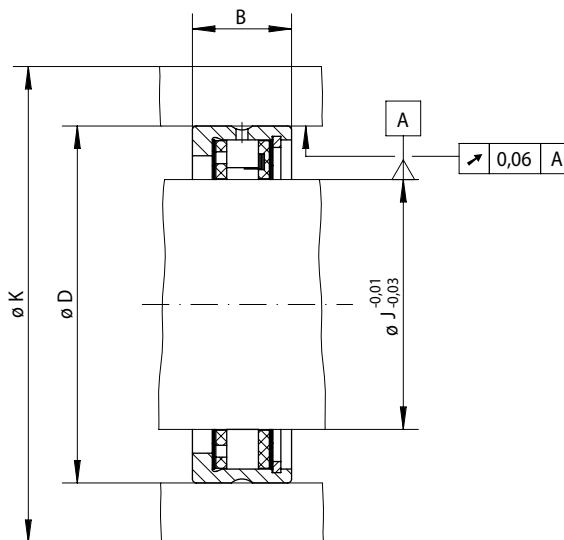


78-2

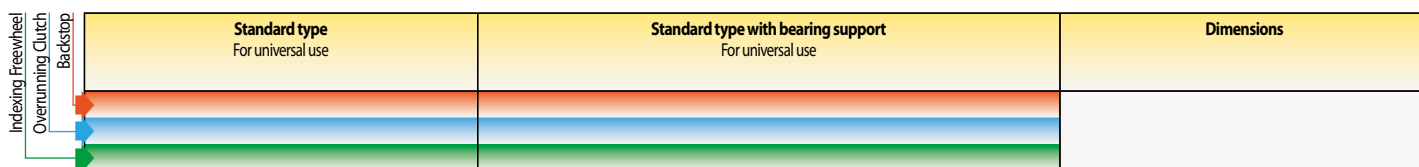
Application example

Two Internal Freewheels FD 40 CFR of standard type with bearing support as overrunning clutches in the drive of the transport rollers in a packaging distribution unit. In normal operation, the transport rollers are driven by means of the freewheels that are working in driving operation. At the withdrawal station, the arriving packages can easily slip off as the drive is overrun by the freewheel (freewheeling operation).

for press fit on the outer ring
with sprags



79-1



Freewheel Size	Type	Nominal torque M _N Nm	Max. speed		Type	Nominal torque M _N Nm	Max. speed		Load rating of bearing support		J mm	B mm	D mm	K mm	Weight kg
			Inner ring freewheels/ overruns min ⁻¹	Outer ring freewheels/ overruns min ⁻¹			Inner ring freewheels/ overruns min ⁻¹	Outer ring freewheels/ overruns min ⁻¹	dynamic C N	static C ₀ N					
FD 12	CFH	11	4225	4250	CFR	6	4225	4250	7600	4200	12	16	34	45	0,1
FD 15	CFH	16	3875	3925	CFR	8	3875	3925	7800	4200	15	20	37	50	0,1
FD 20	CFH	28	3375	3450	CFR	14	3375	3450	8320	4200	20	20	42	55	0,1
FD 25	CFH	48	2900	3050	CFR	24	2900	3050	10700	5600	25	20	47	60	0,1
FD 30	CFH	75	2525	2675	CFR	36	2525	2675	12900	7000	30	20	52	65	0,1
FD 40	CFH	160	1900	2150	CFR	71	1900	2150	15000	8400	40	22	62	80	0,1
FD 50	CFH	260	1475	1775	CFR	120	1475	1775	18400	11300	50	22	72	95	0,2
FD 65	CFH	430	1200	1550	CFR	200	1200	1550	21400	14100	65	25	90	120	0,3
FD 80	CFH	650	950	1350	CFR	300	950	1350	23800	17800	80	25	110	140	0,6
FD 105	CFH	2400	800	1175	CFR	1100	800	1175	48600	45000	105	35	130	165	0,7

Freewheels FD are available with short delivery times.

The maximum transmissible torque is 2 times the specified nominal torque. See page 14 for determination of selection torque.

The maximum speed values listed above apply to installation conditions as they are given for Complete Freewheels. If the actual installation conditions are known, higher speeds may be permitted under certain circumstances.

Mounting

Internal freewheels FD in type standard are without bearing support. Concentric alignment of inner and outer ring must be provided by the customer. The permissible run out (T.I.R.) must be observed.

The torque is transmitted on the outer ring by press fit. In order to transmit the torques specified in the table, the outer ring must be accommodated in a housing with an external diameter K. The housing is made of steel or grey cast iron in minimum quality GG-20. When using other housing materials or smaller external diameters, we urge you to contact us regarding the transmissible torque.

The tolerance of the housing bore D must be ISO P6.

Please note the technical points on page 102 regarding the sprag track (shaft).

The permissible operating temperature of the freewheel is - 40 °C to 80 °C.

Lubrication

An oil lubrication of the specified quality must be provided.

Example for ordering

Freewheel size FD 12, standard type:

- FD 12 CFH

Internal Freewheels FZ ...

with ball bearing properties



80-1

Application as

- ▶ Backstop
- ▶ Overrunning Clutch
- ▶ Indexing Freewheel

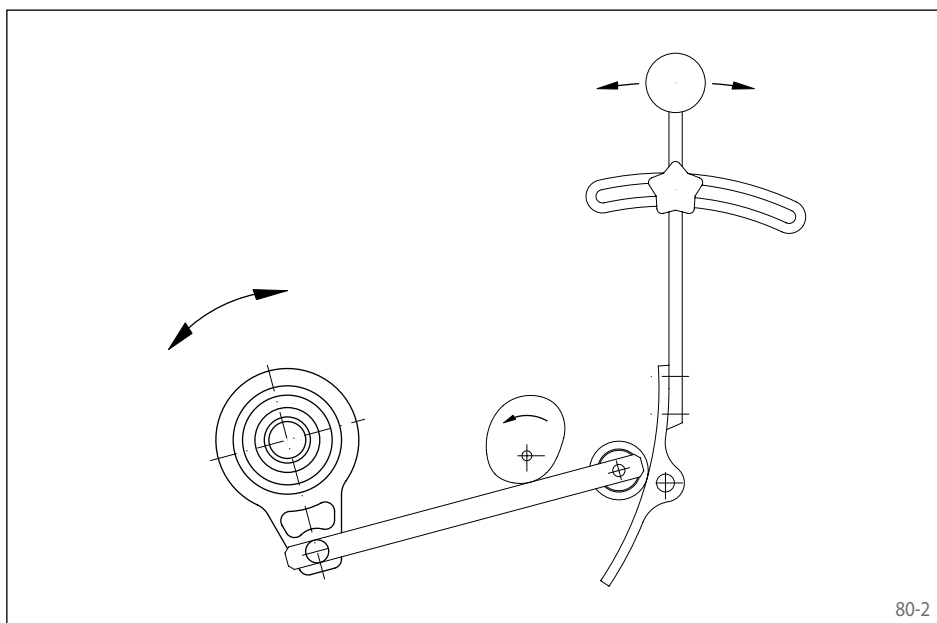
Features

Internal Freewheels FZ ... are sprag freewheels with bearing support and ball bearing properties. The freewheels are supplied grease-filled for normal operating conditions.

The freewheel is built into the customer housing. This makes compact, space-saving fitting solutions possible.

Nominal torques up to 420 Nm. The torque is transmitted on the inner ring and/or on the outer ring by press fit or keyway connection.

Bores up to 40 mm.



80-2

The following series are available:

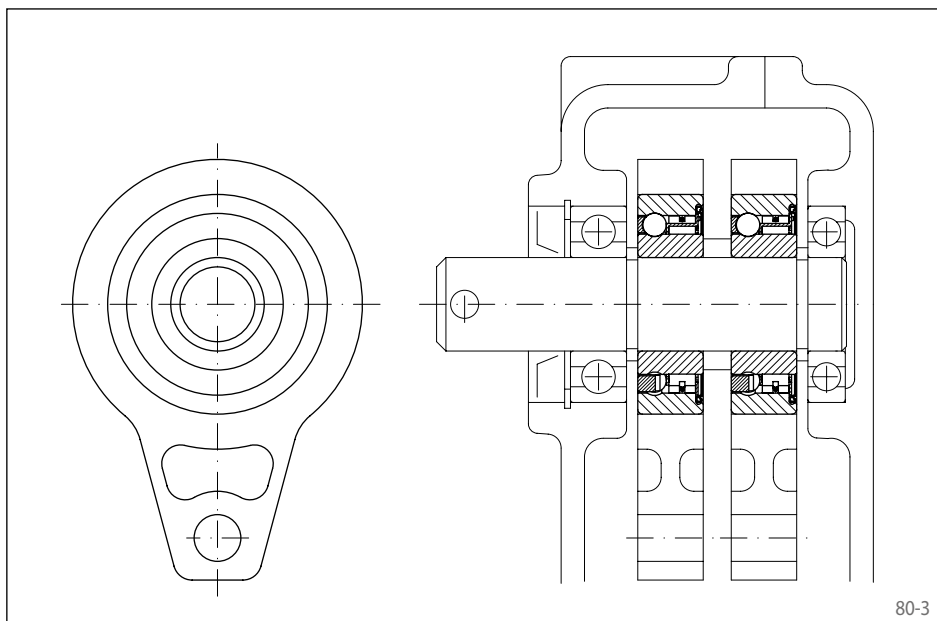
Series	Torque transmission on				2RS-seals	Page
	Outer ring by		Inner ring by			
	keyway	press fit	keyway	press fit		
FZ		●		●		81
FZ ... 2RS		●		●	●	82
FZ ... P2RS		●	●		●	83
FZ ... P		●	●			84
FZ ... PP	●		●			85

Internal Freewheels FZ 6201 to FZ 6207, FZ 6201 P to FZ 6207 P and FZ 6202 PP to FZ 6207 PP have the same dimensions as the respective ball bearings of series 62. The freewheel sizes FZ 6208, FZ 6208 P and FZ 6208 PP as well as the series FZ ... 2RS and FZ ... P2RS have a different width B.

The series FZ ... 2RS and FZ ... P2RS have 2RS seals.

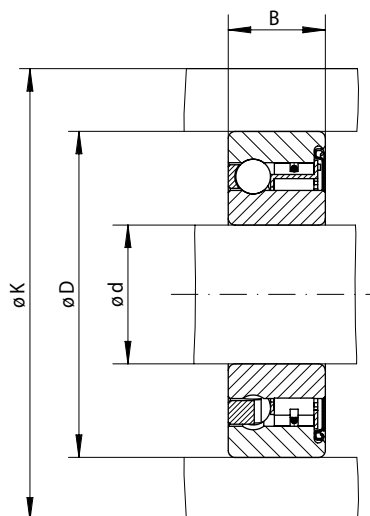
Application example

Two Internal Freewheels FZ 6206 as indexing freewheels in the drive of the metering roller of a seed spreader. The freewheels are built in an infinitely variable oil bath gearbox. Two cam disks that are set off by 180° are arranged on the gearbox shaft. By means of lever arms, these drive the outer rings of the two adjacent Internal Freewheels, which then gradually turn the metering shaft. The infinite speed settings of the gearbox's drive shaft are executed by means of the respective pivoting of the roller support plate, so that the lever arms can execute lifts of differing amounts.



80-3

for press fit on the outer ring
with sprags and bearing support



81-1

Indexing Freewheel Overrunning Clutch Backstop	Standard type For universal use	Dimensions

Freewheel Size	Nominal torque M_N Nm	Max. speed min^{-1}	Load rating of bearing support		Bore d mm	B mm	D mm	K mm	Weight kg
			dynamic C N	static C_0 N					
FZ 6201	9	10000	5140	2370	12	10	32	39	0,04
FZ 6202	21	9400	5160	2410	15	11	35	42	0,06
FZ 6203	32	8200	5650	2860	17	12	40	51	0,08
FZ 6204	88	6800	6890	4190	20	14	47	58	0,12
FZ 6205	100	5600	7230	4660	25	15	52	63	0,15
FZ 6206	230	4000	7730	5660	30	16	62	73	0,25
FZ 6207	330	3600	8170	6630	35	17	72	85	0,30
FZ 6208	420	3000	8950	7990	40	22*	80	94	0,50

The maximum transmissible torque is 2 times the specified nominal torque. See page 14 for determination of selection torque.

* The width of freewheel size FZ 6208 is different to the corresponding ball bearing 6208.

Mounting

The torque is transmitted on the inner and outer ring by press fit. In order to transmit the torques specified in the table, the outer ring must be accommodated in a housing with an external diameter K. The housing is made of steel or grey cast iron in minimum quality GG-20. When using other housing materials or smaller external diameters, we urge you to contact us regarding the transmissible torque.

The tolerance of the housing bore D must be ISO N6 and the tolerance of the shaft must be ISO n6.

The permissible operating temperature of the freewheel is - 40 °C to 80 °C.

Lubrication

The freewheels are supplied grease-filled for normal operating conditions.

However, the freewheels can also be connected to the customer's oil lubrication system; this is particularly recommended in the case of higher speeds.

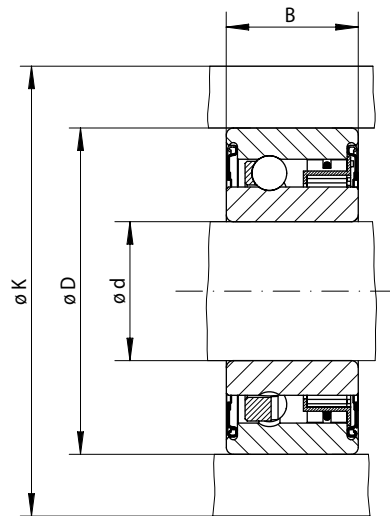
Example for ordering

Freewheel size FZ 6202, standard type:

- FZ 6202

Internal Freewheels FZ ... 2RS

for press fit on the outer ring
with sprags, bearing support and sealing



82-1

Indexing Freewheel Overrunning Clutch Backstop	Standard type For universal use	Dimensions

Freewheel Size	Nominal torque M_N Nm	Max. speed n min^{-1}	Load rating of bearing support		Bore d mm	B^* mm	D mm	K mm	Weight kg
			dynamic C N	static C_0 N					
FZ 6201 2RS	9	10000	5140	2370	12	14	32	39	0,05
FZ 6202 2RS	21	8400	5160	2410	15	16	35	42	0,07
FZ 6203 2RS	32	7300	5650	2860	17	17	40	51	0,09
FZ 6204 2RS	88	6000	6890	4190	20	19	47	58	0,15
FZ 6205 2RS	100	5200	7230	4660	25	20	52	63	0,18
FZ 6206 2RS	230	4000	7730	5660	30	21	62	73	0,27
FZ 6207 2RS	330	3600	8170	6630	35	22	72	85	0,40
FZ 6208 2RS	420	3000	8950	7990	40	27	80	94	0,60

The maximum transmissible torque is 2 times the specified nominal torque. See page 14 for determination of selection torque.

* The width of freewheel size from FZ 6201 2RS to FZ 6208 2RS is different to the corresponding ball bearings of series 62.

Mounting

The torque is transmitted on the inner and outer ring by press fit. In order to transmit the torques specified in the table, the outer ring must be accommodated in a housing with an external diameter K . The housing is made of steel or grey cast iron in minimum quality GG-20. When using other housing materials or smaller external diameters, we urge you to contact us regarding the transmissible torque.

The tolerance of the housing bore D must be ISO N6 and the tolerance of the shaft must be ISO n6.

The permissible operating temperature of the freewheel is $-20\text{ }^{\circ}\text{C}$ to $+80\text{ }^{\circ}\text{C}$. Please contact us if the temperature is different to the given values.

Lubrication

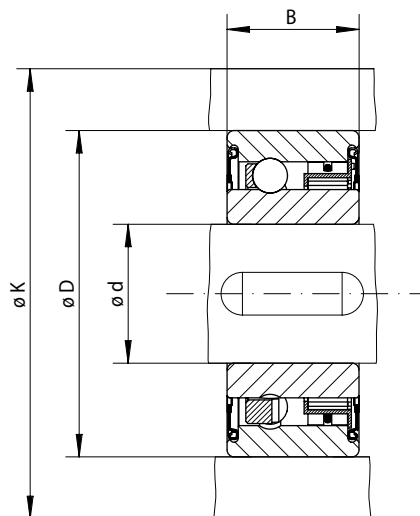
The freewheels are supplied grease-filled and with 2 RS seals.

Example for ordering

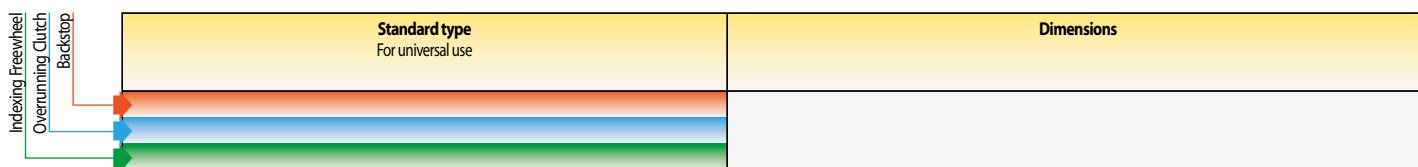
Freewheel size FZ 6203 2RS, standard type:

- FZ 6203 2RS

for press fit on the outer ring
with sprags, bearing support and sealing



83-1



Freewheel Size	Nominal torque M_N Nm	Max. speed n min^{-1}	Load rating of bearing support		Bore d mm	B^{**} mm	D mm	K mm	Weight kg
			dynamic C N	static C_0 N					
FZ 6201 P2RS	9	10000	5140	2370	12*	14	32	39	0,05
FZ 6202 P2RS	21	8400	5160	2410	15*	16	35	42	0,07
FZ 6203 P2RS	32	7300	5650	2860	17*	17	40	51	0,09
FZ 6204 P2RS	88	6000	6890	4190	20*	19	47	58	0,15
FZ 6205 P2RS	100	5200	7230	4660	25*	20	52	63	0,18
FZ 6206 P2RS	230	4000	7730	5660	30*	21	62	73	0,30
FZ 6207 P2RS	330	3600	8170	6630	35*	22	72	85	0,40
FZ 6208 P2RS	420	3000	8950	7990	40	27	80	94	0,60

The maximum transmissible torque is 2 times the specified nominal torque. See page 14 for determination of selection torque.

Keyway according to DIN 6885, page 1 • Tolerance of keyway width JS10.

* Keyway according to DIN 6885, page 3 • Tolerance of keyway width JS10.

** The width of freewheel size from FZ 6201 P2RS to FZ 6208 P2RS is different to the corresponding ball bearings of series 62.

Mounting

The torque is transmitted on the inner ring by keyway connection and on the outer ring by press fit. In order to transmit the torques specified in the table, the outer ring must be accommodated in a housing with an external diameter K . The housing is made of steel or grey cast iron in minimum quality GG-20. When using other housing materials or smaller external diameters, we urge you to contact us regarding the transmissible torque.

The tolerance of the housing bore D must be ISO N6 and the tolerance of the shaft must be ISO k6.

The permissible operating temperature of the freewheel is $-20\text{ }^{\circ}\text{C}$ to $+80\text{ }^{\circ}\text{C}$. Please contact us if the temperature is different to the given values.

Lubrication

The freewheels are supplied grease-filled and with 2 RS seals.

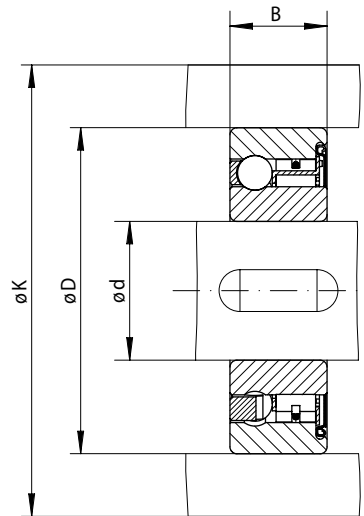
Example for ordering

Freewheel size FZ 6205 P2RS, standard type:

- FZ 6205 P2RS

Internal Freewheels FZ ... P

for press fit on the outer ring
with sprags and bearing support



84-1

Indexing Freewheel Overrunning Clutch Backstop	Standard type For universal use	Dimensions

Freewheel Size	Nominal torque M_N Nm	Max. speed min^{-1}	Load rating of bearing support		Bore d mm	B mm	D mm	K mm	Weight kg
			dynamic C N	static C_0 N					
FZ 6201 P	9	10000	5140	2370	12*	10	32	39	0,04
FZ 6202 P	21	8400	5160	2410	15*	11	35	42	0,06
FZ 6203 P	32	7350	5650	2860	17*	12	40	51	0,07
FZ 6204 P	88	6000	6890	4190	20*	14	47	58	0,11
FZ 6205 P	100	5200	7230	4660	25*	15	52	63	0,14
FZ 6206 P	230	4200	7730	5660	30*	16	62	73	0,21
FZ 6207 P	330	3600	8170	6630	35*	17	72	85	0,30
FZ 6208 P	420	3000	8950	7990	40	22**	80	94	0,50

The maximum transmissible torque is 2 times the specified nominal torque. See page 14 for determination of selection torque.

Keyway according to DIN 6885, page 1 • Tolerance of keyway width JS10.

* Keyway according to DIN 6885, page 3 • Tolerance of keyway width JS10.

** The width of freewheel size FZ 6208 P is different to the corresponding ball bearing 6208.

Mounting

The torque is transmitted on the inner ring by keyway connection and on the outer ring by press fit. In order to transmit the torques specified in the table, the outer ring must be accommodated in a housing with an external diameter K. The housing is made of steel or grey cast iron in minimum quality GG-20. When using other housing materials or smaller external diameters, we urge you to contact us regarding the transmissible torque.

The tolerance of the housing bore D must be ISO N6 and the tolerance of the shaft must be ISO k6.

The permissible operating temperature of the freewheel is $-40\text{ }^{\circ}\text{C}$ to $+80\text{ }^{\circ}\text{C}$. Please contact us if the temperature is different to the given values.

Lubrication

The freewheels are supplied grease-filled.

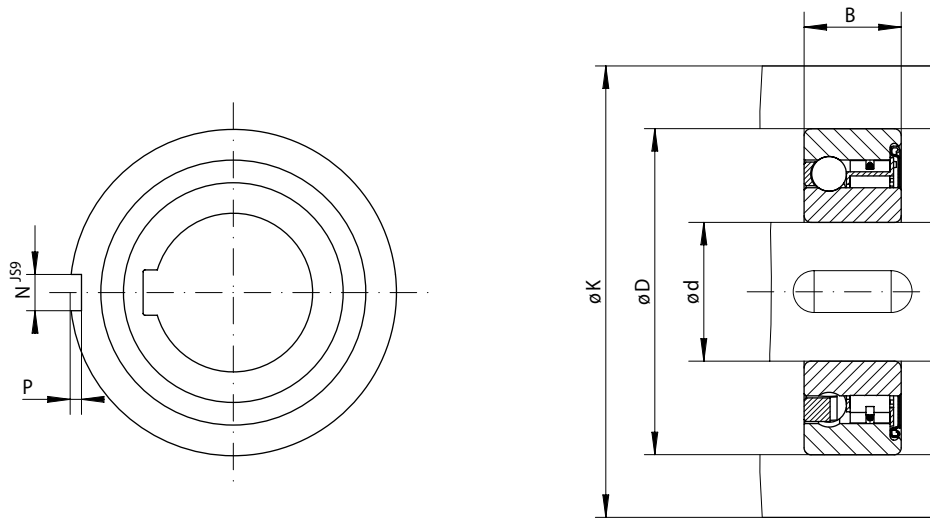
Example for ordering

Freewheel size FZ 6203 P, standard type:

- FZ 6203 P

Internal Freewheels FZ ... PP

for keyway connection on the outer ring
with sprags and bearing support



85-1

85-2

Indexing Freewheel Overrunning Clutch Backstop	Standard type For universal use	Dimensions

Freewheel Size	Nominal torque M _N Nm	Max. speed min ⁻¹	Load rating of bearing support		Bore d mm	B mm	D mm	K mm	N mm	P mm	Weight kg
			dynamic C N	static C ₀ N							
FZ 6202 PP	21	8400	5160	2410	15*	11	35	42	2	0,6	0,06
FZ 6203 PP	32	7350	5650	2860	17*	12	40	51	2	1,0	0,07
FZ 6204 PP	88	6000	6890	4190	20*	14	47	58	3	1,5	0,11
FZ 6205 PP	100	5200	7230	4660	25*	15	52	63	6	2,0	0,14
FZ 6206 PP	230	4200	7730	5660	30*	16	62	73	6	2,0	0,21
FZ 6207 PP	330	3600	8170	6630	35*	17	72	85	8	2,5	0,30
FZ 6208 PP	420	3000	8950	7990	40	22**	80	94	10	3,0	0,50

The maximum transmissible torque is 2 times the specified nominal torque. See page 14 for determination of selection torque.

Keyway according to DIN 6885, page 1 • Tolerance of keyway width JS10.

* Keyway according to DIN 6885, page 3 • Tolerance of keyway width JS10.

** The width of freewheel size FZ 6208 PP is different to the corresponding ball bearing 6208.

Mounting

The torque is transmitted on the inner and on the outer ring by keyway connection. In order to transmit the torques specified in the table, the outer ring must be accommodated in a housing with an external diameter K. The housing is made of steel or grey cast iron in minimum quality GG-20. When using other housing materials or smaller external diameters, we urge you to contact us regarding the transmissible torque.

The tolerance of the housing bore D must be ISO H6 and the tolerance of the shaft must be ISO h6.

The permissible operating temperature of the freewheel is -40 °C to +80 °C. Please contact us if the temperature is different to the given values.

Lubrication

The freewheels are supplied grease-filled.

Example for ordering

Freewheel size FZ 6205 PP, standard type:

- FZ 6205 PP

Internal Freewheels FSN

for keyway connection on the outer ring
with rollers



86-1

Application as

- ▶ Backstop
- ▶ Overrunning Clutch
- ▶ Indexing Freewheel

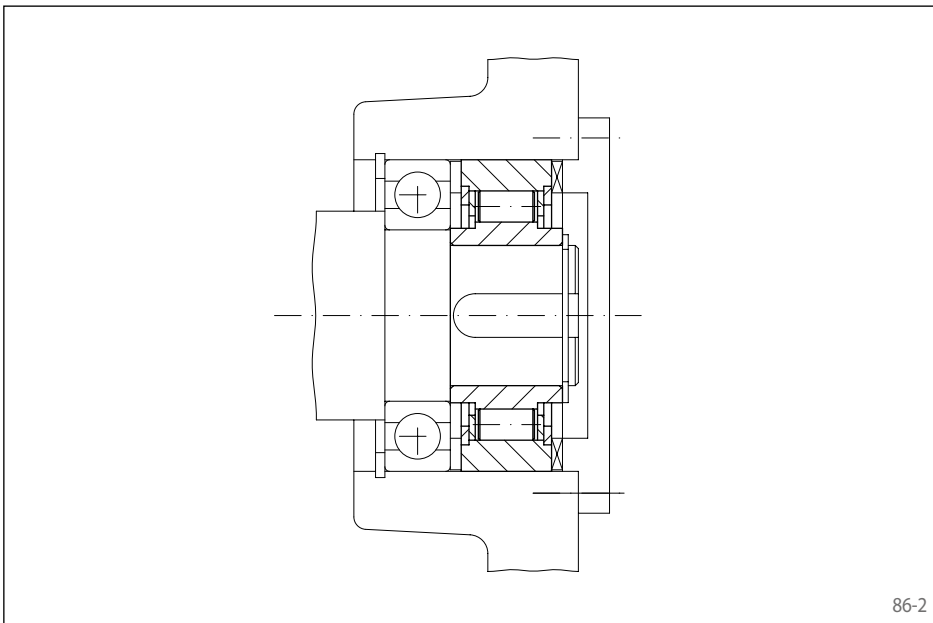
Features

Internal Freewheels FSN are roller freewheels without bearing support.

The freewheel is built into the customer housing. This makes compact, space-saving fitting solutions possible.

Nominal torques up to 3 000 Nm. The faces of both sides of the outer ring are provided with grooves for torque transmission.

Bores up to 80 mm.

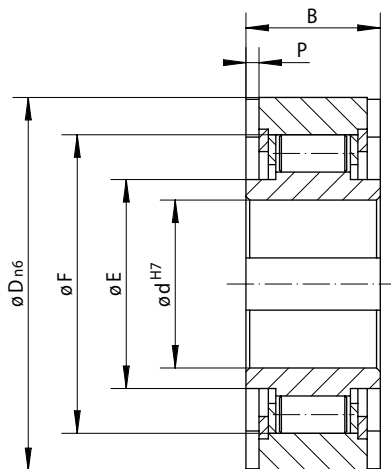
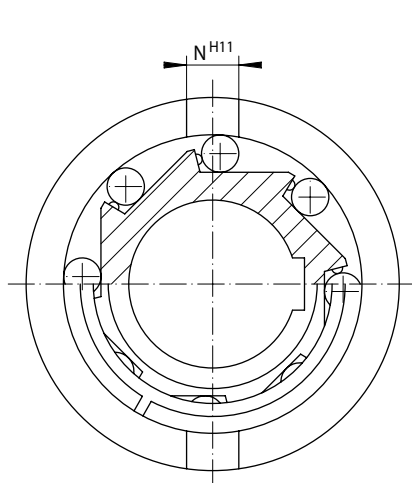


86-2

Application example

Internal freewheel FSN 50 as backstop fitted to the end of the intermediate shaft of a spur gearbox in the drive of an elevator. In the case of a motor stop, the elevator must be held securely so that the conveyor goods do not pull backwards.

for keyway connection on the outer ring
with rollers



87-1

87-2

Indexing Freewheel Overrunning Clutch Backstop	Standard type For universal use	Dimensions

Freewheel Size	Nominal torque M _N Nm	Max. speed		Bore d mm	B mm	D mm	E mm	F mm	N mm	P mm	Weight kg
		Inner ring freewheels/ overruns min ⁻¹	Outer ring freewheels/ overruns min ⁻¹								
FSN 8	11	3050	4700	8	13	35	18,5	28	4	1,3	0,1
FSN 12	11	3050	4700	12	13	35	18,5	28	4	1,3	0,1
FSN 15	36	2350	3700	15*	18	42	21,0	36	5	1,7	0,1
FSN 17	56	2100	3300	17*	19	47	24,0	40	5	2,0	0,2
FSN 20	90	1750	3200	20*	21	52	29,0	45	6	1,5	0,2
FSN 25	125	1650	3100	25*	24	62	35,0	52	8	2,0	0,4
FSN 30	210	1400	2200	30*	27	72	40,0	60	10	2,5	0,6
FSN 35	306	1250	2150	35*	31	80	47,0	68	12	3,5	0,8
FSN 40	430	1100	2050	40*	33	90	55,0	78	12	3,5	0,9
FSN 45	680	1000	1900	45*	36	100	56,0	85	14	3,5	1,3
FSN 50	910	900	1750	50*	40	110	60,0	92	14	4,5	1,7
FSN 60	1200	750	1450	60*	46	130	75,0	110	18	5,5	2,8
FSN 70	2000	600	1000	70*	51	150	85,0	125	20	6,5	4,2
FSN 80	3000	500	900	80*	58	170	95,0	140	20	7,5	6,0

The maximum transmissible torque is 2 times the specified nominal torque. See page 14 for determination of selection torque.

Keyway according to DIN 6885, page 1 • Tolerance of keyway width JS10.

* Keyway according to DIN 6885, page 3 • Tolerance of keyway width JS10.

Mounting

Internal Freewheels FSN are without bearing support. Concentric alignment of inner and outer ring must be provided by the customer.

The tolerance of the housing bore D must be ISO H7 or G7 and the tolerance of the shaft must be ISO h6 or j6.

The outer ring has to be completely enclosed in a stable housing to transmit the listed torques.

Lubrication

An oil lubrication of the specified quality must be provided.

Example for ordering

Freewheel size FSN 12, standard type:

- FSN 12

Internal Freewheels FN

for keyway connection on the outer ring
with rollers



88-1

Application as

- ▶ Backstop
- ▶ Overrunning Clutch
- ▶ Indexing Freewheel

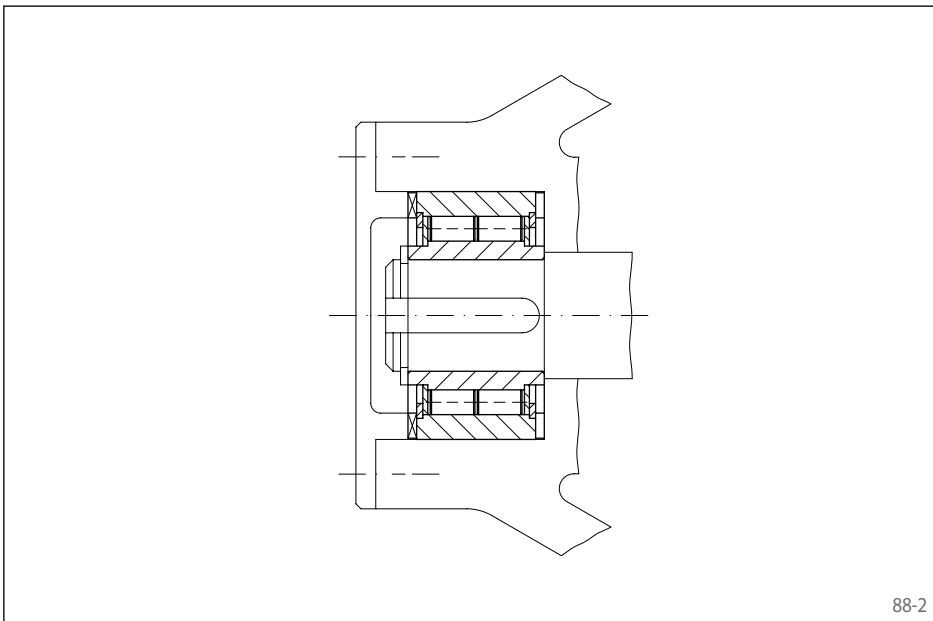
Features

Internal Freewheels FN are roller freewheels without bearing support.

The freewheel is built into the customer housing. This makes compact, space-saving fitting solutions possible.

Nominal torques up to 3 000 Nm. The faces of both sides of the outer ring are provided with grooves for torque transmission.

Bores up to 60 mm.



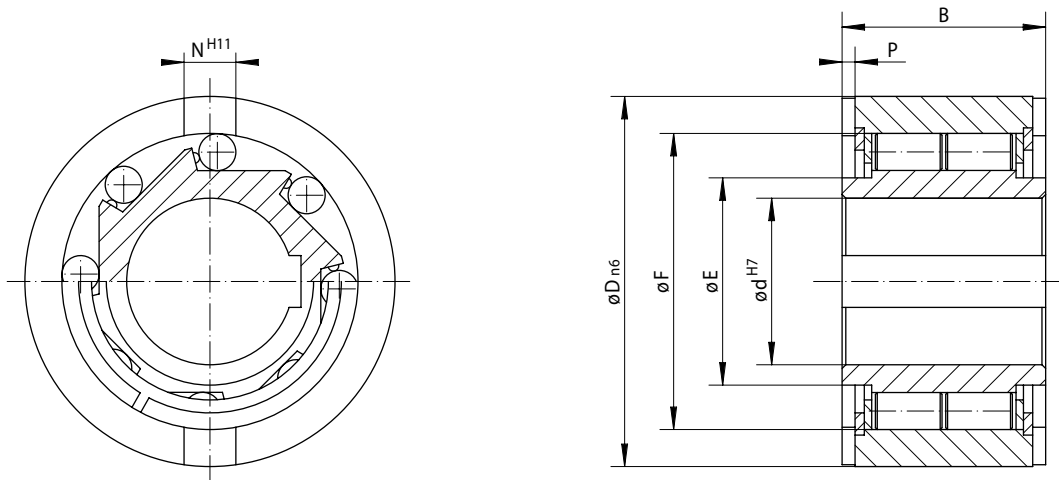
88-2

Application example

Internal freewheel FN 20 as a backstop, on the drive shaft of running gears on a chain conveyor. In normal operation, the drive shaft drives and the freewheel works in freewheeling operation. The freewheel as a backstop prevents the running gears from being able to run backwards uncontrolled in the event of a fault.

Internal Freewheels FN

for keyway connection on the outer ring
with rollers



89-1

89-2

Indexing Freewheel Overrunning Clutch Backstop	Standard type For universal use	Dimensions

Freewheel Size	Nominal torque M _N Nm	Max. speed		Bore d mm	B mm	D mm	E mm	F mm	N mm	P mm	Weight kg
		Inner ring freewheels/ overruns min ⁻¹	Outer ring freewheels/ overruns min ⁻¹								
FN 8	18	2800	5400	8	20	37	19	30	6	3,0	0,1
FN 12	18	2800	5400	12	20	37	19	30	6	3,0	0,1
FN 15	50	2500	5100	15	30	47	23	37	7	3,5	0,3
FN 20	112	1900	4350	20	36	62	35	50	8	3,5	0,6
FN 25	220	1550	3350	25	40	80	40	68	9	4,0	1,1
FN 30	410	1400	3050	30	48	90	45	75	12	5,0	1,6
FN 35	500	1300	2850	35	53	100	50	80	13	6,0	2,3
FN 40	750	1150	2500	40	63	110	55	90	15	7,0	3,1
FN 45	1020	1100	2400	45	63	120	60	95	16	7,0	3,7
FN 50	1900	950	2050	50	80	130	70	110	17	8,5	5,3
FN 55	2000	900	1900	55	80	140	75	115	18	9,0	6,0
FN 60	3000	800	1800	60	95	150	80	125	18	9,0	8,4

The maximum transmissible torque is 2 times the specified nominal torque. See page 14 for determination of selection torque.
Keyway according to DIN 6885, page 1 • Tolerance of keyway width JS10.

Mounting

Internal Freewheels FN are without bearing support. Concentric alignment of inner and outer ring must be provided by the customer.

The tolerance of the housing bore D must be ISO H7 or G7 and the tolerance of the shaft must be ISO h6 or j6.

The outer ring has to be completely enclosed in a stable housing to transmit the listed torques.

Lubrication

An oil lubrication of the specified quality must be provided.

Example for ordering

Freewheel size FN 45, standard type:

- FN 45

Internal Freewheels FNR

for keyway connection on the outer ring
with rollers and bearing



90-1

Application as

- ▶ Backstop
- ▶ Overrunning Clutch
- ▶ Indexing Freewheel

Features

Internal Freewheels FNR are roller freewheels with bearing support. The freewheels of sizes 8 to 20 have a sleeve bearing. The sizes 25 to 60 have ball bearings, these enable higher speeds in freewheeling operation.

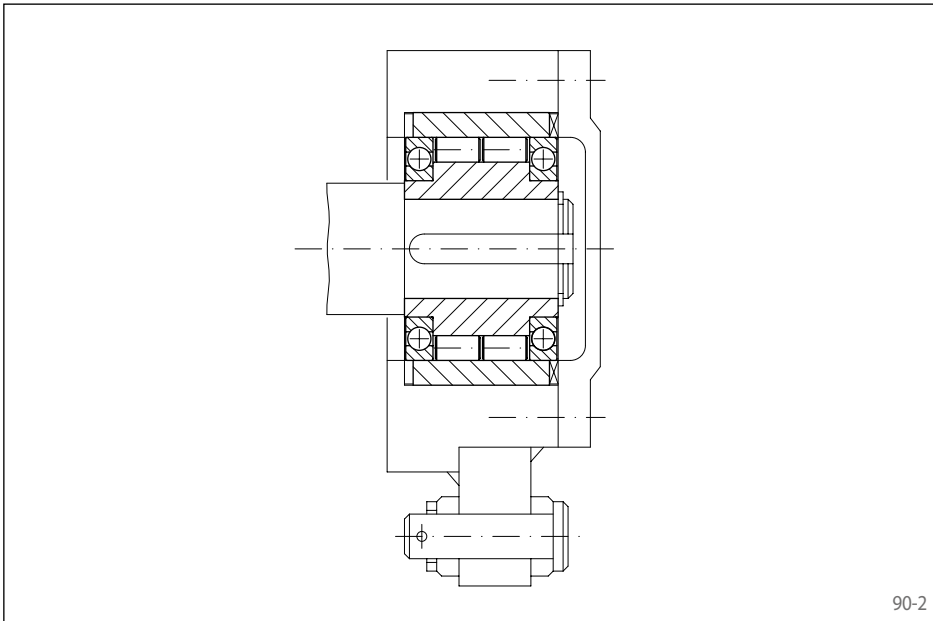
The freewheel is built into the customer housing. This makes compact, space-saving fitting solutions possible.

Nominal torques up to 3 000 Nm. The faces of both sides of the outer ring are provided with grooves for torque transmission.

Bores up to 60 mm.

Application example

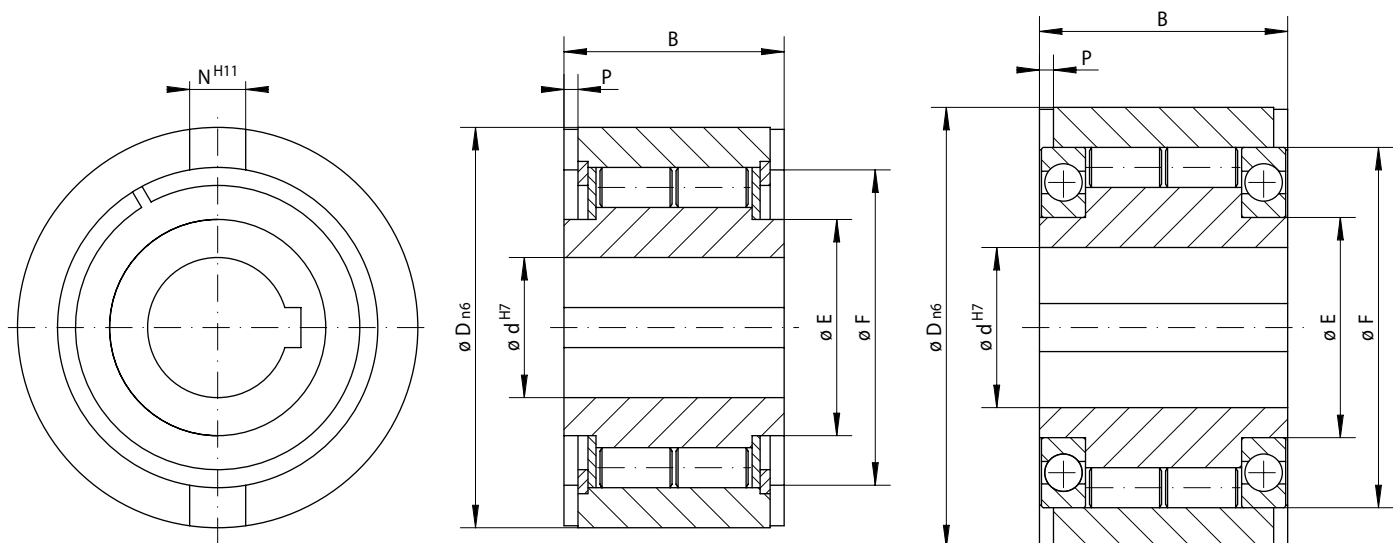
Internal Freewheel FNR 40 as an indexing freewheel for an incremental drive in the feeding device of a wire processing machine. The indexing lever is driven by a crank operation. The back and forth movement is transferred by the indexing freewheel in a gradual rotating movement of the wire feeding device.



90-2

Internal Freewheels FNR

for keyway connection on the outer ring
with rollers and bearing



91-1

Size FNR 8 to FNR 20

91-2

Size FNR 25 to FNR 60

91-3

Indexing Freewheel Overrunning Clutch Backstop	Standard type For universal use	Dimensions

Freewheel Size	Nominal torque M _n Nm	Max. speed		Bore d mm	B mm	D mm	E mm	F mm	N mm	P mm	Weight kg
		Inner ring freewheels/ overruns min ⁻¹	Outer ring freewheels/ overruns min ⁻¹								
FNR 8	18	1200	1200	8	20	37	19	30	6	3,0	0,1
FNR 12	18	1200	1200	12	20	37	19	30	6	3,0	0,1
FNR 15	50	950	950	15	30	47	23	37	7	3,5	0,3
FNR 20	112	650	650	20	36	62	35	50	8	3,5	0,6
FNR 25	220	1550	3350	25	40	80	40	68	9	4,0	1,3
FNR 30	410	1400	3050	30	48	90	45	75	12	5,0	1,9
FNR 35	500	1300	2850	35	53	100	50	80	13	6,0	2,6
FNR 40	750	1150	2500	40	63	110	55	90	15	7,0	3,6
FNR 45	1020	1100	2400	45	63	120	60	95	16	7,0	4,2
FNR 50	1900	950	2050	50	80	130	70	110	17	8,5	6,0
FNR 55	2000	900	1900	55	80	140	75	115	18	9,0	6,8
FNR 60	3000	800	1800	60	95	150	80	125	18	9,0	9,5

The maximum transmissible torque is 2 times the specified nominal torque. See page 14 for determination of selection torque.
Keyway according to DIN 6885, page 1 • Tolerance of keyway width JS10.

Mounting

The tolerance of the housing bore D must be ISO H7 or G7 and the tolerance of the shaft must be ISO h6 or j6.

The outer ring has to be completely enclosed in a stable housing to transmit the listed torques.

Lubrication

An oil lubrication of the specified quality must be provided.

Example for ordering

Freewheel size FNR 20, standard type:

- FNR 20

Cage Freewheels SF

for assembly with inner and outer ring
with sprags, available in three types



Application as

- ▶ Backstop
- ▶ Overrunning Clutch
- ▶ Indexing Freewheel

Features

Cage Freewheels SF are sprag freewheels to be installed between customer-supplied inner and outer rings.

In addition to the standard type, two other types are available for extended service life.

Nominal torques up to 93 000 Nm.

Mounting

The lateral guidance of the Cage Freewheels can be effected either by a shoulder on the outer ring or by guard rings or guard discs which are fixed in the outer ring.

Torque transmission capacity can be increased if several cages are arranged side by side. In this case please consult with RINGSPANN on transmissible torques.

Please note the technical points on page 102 regarding the sprag tracks.

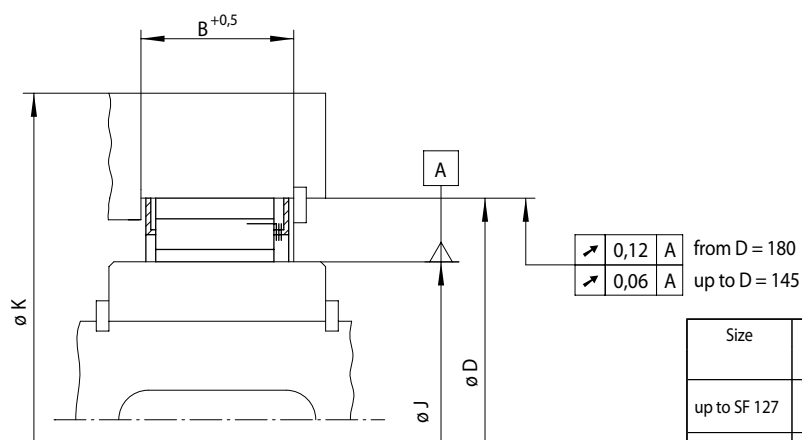
Example for ordering

Freewheel size SF 44-14,5, standard type:

- SF 44-14,5 K

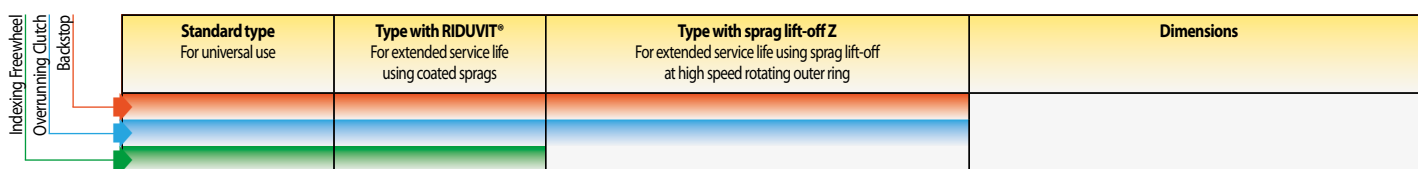
Cage Freewheels SF

for assembly with inner and outer ring
with sprags, available in three types



Size	Tolerance of track (mm)	
	øJ	øD
up to SF 127	-0,01 -0,03	+0,01 -0,01
from SF 140	-0,02 -0,06	+0,02 -0,02

93-1



Freewheel Size	Type	Nominal torque M _N Nm	Type	Nominal torque M _N Nm	Type	Nominal torque M _N Nm	Sprag lift-off at outer ring speed min ⁻¹	Max. speed Inner ring drives min ⁻¹	Dimensions					
									J	D	B	K	Sprags Quantity	Weight kg
SF 18-13,5	J	66	JT	66	JZ				18,80	35,47	13,5	50	10	0,04
SF 23-13,5	J	120							23,63	40,29	13,5	55	12	0,04
SF 31-13,5	J	170	JT	170	JZ	110	3400	1360	31,75	48,41	13,5	70	12	0,04
SF 32-21,5	J	400							32,77	49,44	21,5	65	14	0,07
SF 37-14,5	K	270	KT	270	KZ	210	2900	1160	37	55	14,5	75	14	0,06
SF 42-21	J	720							42,10	58,76	21	85	18	0,09
SF 44-14,5	K	500	KT	500	KZ	400	2250	900	44	62	14,5	90	20	0,08
SF 46-21	J	840							46,77	63,43	21	90	20	0,10
SF 50-18,5	K	680	KT	680	KZ	580	2250	900	50	68	18,5	90	20	0,10
SF 56-21	J	1050							56,12	72,78	21	100	22	0,11
SF 57-18,5	K	950	KT	950	KZ	800	2000	800	57	75	18,5	105	24	0,13
SF 61-21	J	1300	JT	1300	JZ	1150	1550	620	61,91	78,57	21	110	26	0,14
SF 72-23,5	K	2100	KT	2100	KZ	1850	1550	620	72	90	23,5	135	32	0,23
SF 82-25	K	2300	KT	2300	KZ	2100	1450	580	82	100	25	140	36	0,26
SF 107-25	K	3300	KT	3300	KZ	3100	1300	520	107	125	25	170	48	0,35
SF 127-25	K	4900	KT	4900	KZ	4600	1200	480	127	145	25	210	56	0,40
SF 140-50	S	13600	ST	13600	SZ	10500	950	380	140	180	50	260	24	1,70
SF 140-63	S	18000	ST	18000	SZ	14000	800	320	140	180	63	260	24	2,00
SF 170-50	S	17000	ST	17000	SZ	13500	880	352	170	210	50	290	28	1,95
SF 170-63	S	23000	ST	23000	SZ	18500	720	288	170	210	63	290	28	2,40
SF 200-50	S	23000	ST	23000	SZ	18500	820	328	200	240	50	325	36	2,50
SF 200-63	S	29000	ST	29000	SZ	23500	680	272	200	240	63	325	36	3,10
SF 230-63	S	37000	ST	37000	SZ	29500	650	260	230	270	63	360	45	3,90
SF 270-50	S	35000	ST	35000	SZ	29500	720	288	270	310	50	410	48	3,40
SF 270-63	S	44000	ST	44000	SZ	37000	600	240	270	310	63	410	48	4,20
SF 340-50	S	45000	ST	45000	SZ	43000	640	256	340	380	50	510	60	4,20
SF 340-63	S	67500	ST	67500	SZ	57500	540	216	340	380	63	510	60	5,20
SF 380-50	S	57000	ST	57000	SZ	48500	610	244	380	420	50	550	63	4,40
SF 440-63	S	93000	ST	93000	SZ	80000	470	188	440	480	63	640	72	6,20

Cage Freewheels SF are available with short delivery times.

The theoretical nominal torque applies only for ideal concentricity between the inner and outer ring.

The maximum transmissible torque is 2 times the specified nominal torque. See page 14 for determination of selection torque.

Cage Freewheels SF ... P

for assembly with inner and outer ring
for high run out (T.I.R.), with sprags



Application as

- ▶ Backstop
- ▶ Overrunning Clutch
- ▶ Indexing Freewheel

Features

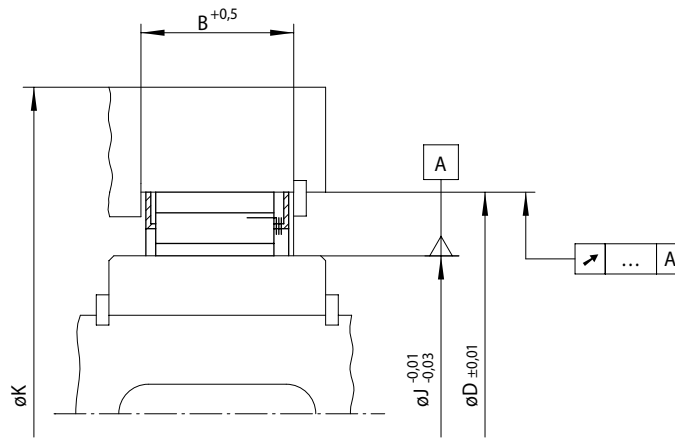
Cage Freewheels SF ... P are sprag freewheels to be installed between customer-supplied inner and outer rings.

Nominal torques up to 5 800 Nm.

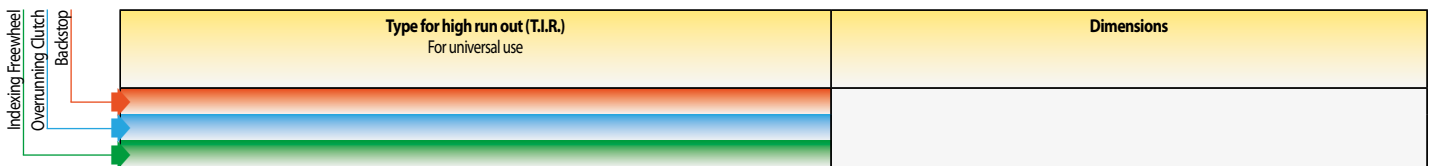
94-1

Cage Freewheels SF ... P

for assembly with inner and outer ring
for high run out (T.I.R.), with sprags



95-1



Freewheel Size	Type	Theoretical nominal torque Nm	Nominal torque at existing run out (T.I.R.)			J mm	D mm	B mm	K mm	Sprags Quantity	Weight kg
			0,05 A Nm	0,1 A Nm	0,15 A Nm						
SF 37-14,5	P	230	210	200	200	37	55	14,5	75	14	0,06
SF 44-14,5	P	420	390	360	350	44	62	14,5	90	20	0,08
SF 57-18,5	P	1 200	960	750	600	57	75	18,5	100	24	0,13
SF 72-23,5	P	2 700	2 200	1 700	1 400	72	90	23,5	130	32	0,23
SF 82-25	P	2 800	2 400	1 900	1 500	82	100	25,0	135	36	0,26
SF 107-25	P	4 100	3 300	2 700	2 100	107	125	25,0	165	48	0,35
SF 127-25	P	5 800	4 800	3 900	3 100	127	145	25,0	200	56	0,40

Cage Freewheels SF ... P are available with short delivery times.

The maximum transmissible torque is 2 times the specified nominal torque. See page 14 for determination of selection torque.

The theoretical nominal torque applies only for ideal concentricity between the inner and outer ring. In practice, the concentricity is affected by the bearing play and centering errors of the neighbouring parts. Then the nominal torques specified in the table apply, whilst taking into consideration the existing run out (T.I.R.).

Mounting

The lateral guidance of the Cage Freewheels can be effected either by a shoulder on the outer ring or by guard rings or guard discs which are fixed in the outer ring.

Torque transmission capacity can be increased if several cages are arranged side by side. In this case please consult with RINGSPANN on transmissible torques.

Please note the technical points on page 102 regarding the sprag tracks.

Example for ordering

Freewheel size SF 44-14,5 type for high run out (T.I.R.):

- SF 44-14,5 P

bidirectional acting backstop for assembly with connecting parts with rollers



Application as

- ▶ Bidirectional Acting Backstop

Features

Irreversible Locks IR are bidirectional acting roller freewheels with bearing support. They are ready for installation.

Nominal torques up to 100 Nm.

Bores up to 35 mm.

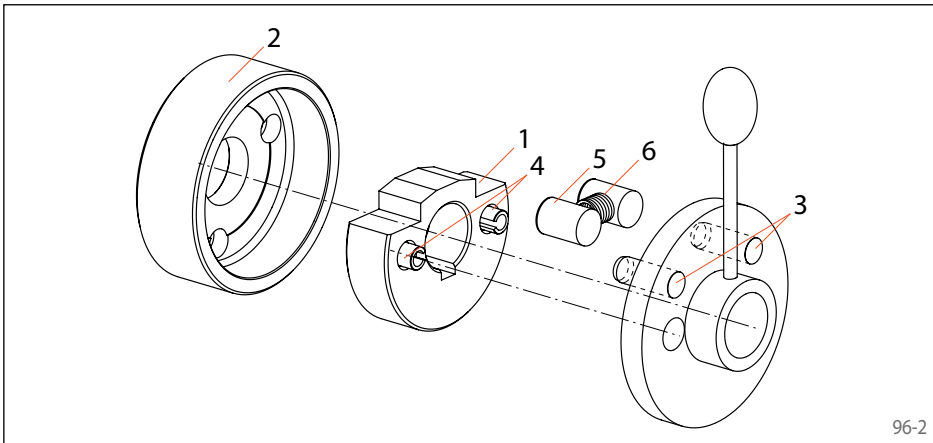
Whereas a normal Freewheel transmits torque from the driving or driven side in only one direction of rotation, with the Irreversible Lock IR it is possible for the driving part to drive the shaft in both directions of rotation. There is, however, a locking action against any reverse torque coming from the driven part, irrespective of the direction of rotation in which it is exerted.

Operation

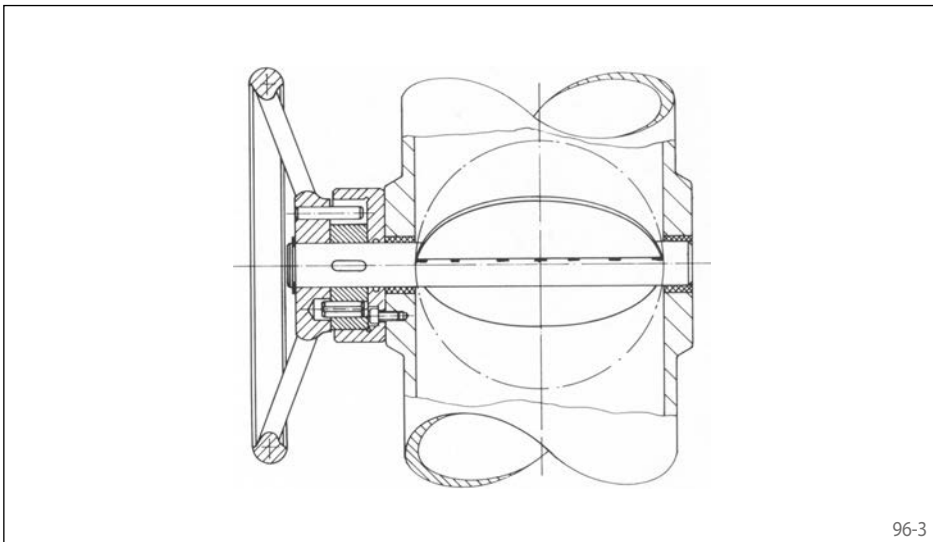
The centre body (1) is positively locked to the shaft (driven part) by a key. The housing (2) is bolted in place, e. g. on the frame of a machine in a fixed position. The driving customer-supplied part (lever, hand wheel, etc.), which carries actu-

ating pegs (3), is mounted on the shaft and has two bores to hold the drive studs (4). Thus, if force is applied to the driving part, depending upon the direction in which it is applied one or other of the actuating pegs presses one of the two lock-

ing rollers (5) out of engagement in opposition to the force exerted by the engaging spring (6). In this way, the driven part connected to the centre body can be rotated without difficulty. When this is done the roller which is still engaged operates as in a freewheel mechanism turning in the freewheeling direction. Due to the symmetrical layout of the irreversible lock, the process which has just been described can also take place in the same way in the opposite direction of rotation. If, however, forces coming from the machine attempt to rotate the centre body via the shaft, the centre body is locked to the fixed housing by the locking rollers. Each roller performs this function for one direction of rotation. Thus, the irreversible lock prevents unintended shifts and displacements from taking place. The irreversible locks are not suitable for use where the driven side tends to run ahead of the driving side during operation (e.g. for the operation of brakes during descending movements in lifts and hoists).



96-2



96-3

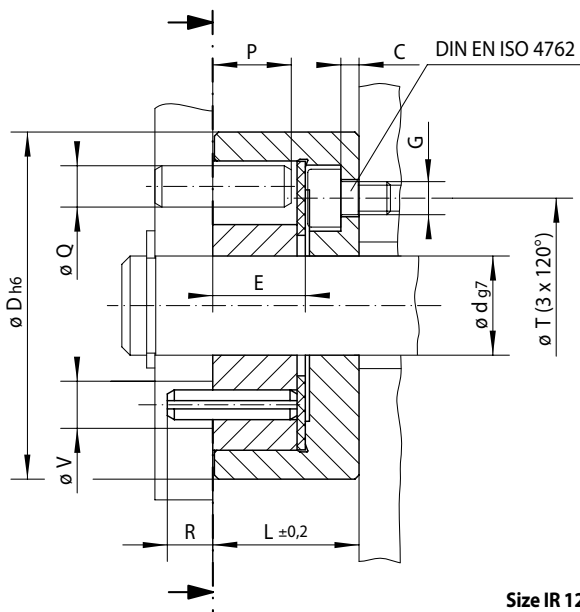
Application example

The valve, which in the example shown is a control or shut-off valve, is adjusted in the opening or closing direction by means of a hand wheel.

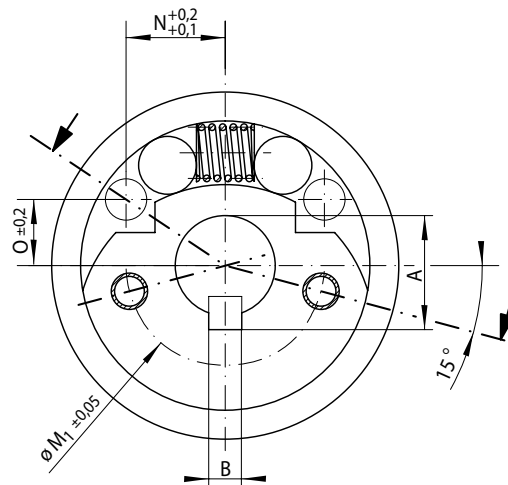
The Irreversible Lock prevents any uncontrolled shifts in the position of the valve due to the pressure exerted by the medium flowing in the pipe.

The use of Irreversible Locks is not restricted to manually operated valves and they can also be used with motorised adjusters. In this case there is the particular advantage that the torque motor need be designed to supply only the adjusting torque, which is generally low, since all standing and sudden reverse torques are absorbed by the Irreversible Lock.

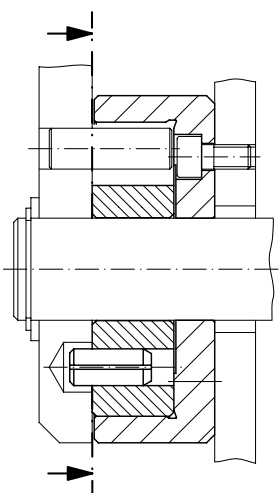
bidirectional acting backstop for assembly with connecting parts with rollers



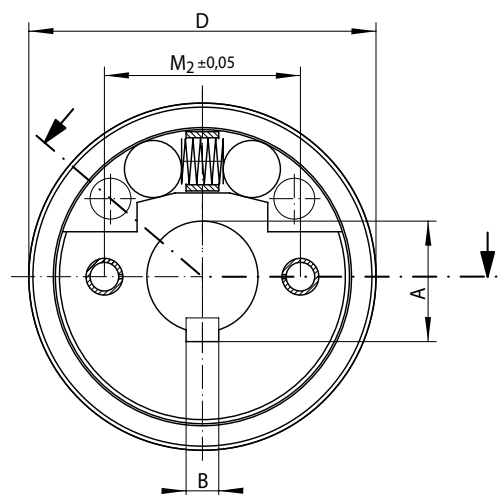
Size IR 12 and IR 16



97-1



Size IR 25 and IR 35



97-2

Freewheel Size	Type	Nominal torque M_N Nm	Bore d mm	Dimensions																	Weight kg
				A*	B*	C	D	E	G**	L	M ₁	M ₂	N	O	P	Q	R	T**	V	Z**	
IR 12	R	8	12	13,8	4	2,2	42	11,2	M4	17,7	24		12,0	8,0	9,5	5	5,5	26	5,7	3	0,15
IR 16	R	15	16	18,3	5	3,0	48	12,2	M5	20,4	28		13,5	9,5	10,5	5	9,5	28	9,8	3	0,22
IR 25	R	48	25	28,5	8	3,2	85	20,0	M6	30,0		48	22,5	19,1	19,5	10	5,5	55	12,2	3	1,10
IR 35	R	100	35	38,5	10	4,5	120	32,0	M8	45,0		70	27,0	32,2	31,5	12	8,5	80	14,2	3	3,30

The maximum transmissible torque is 2 times the specified nominal torque.

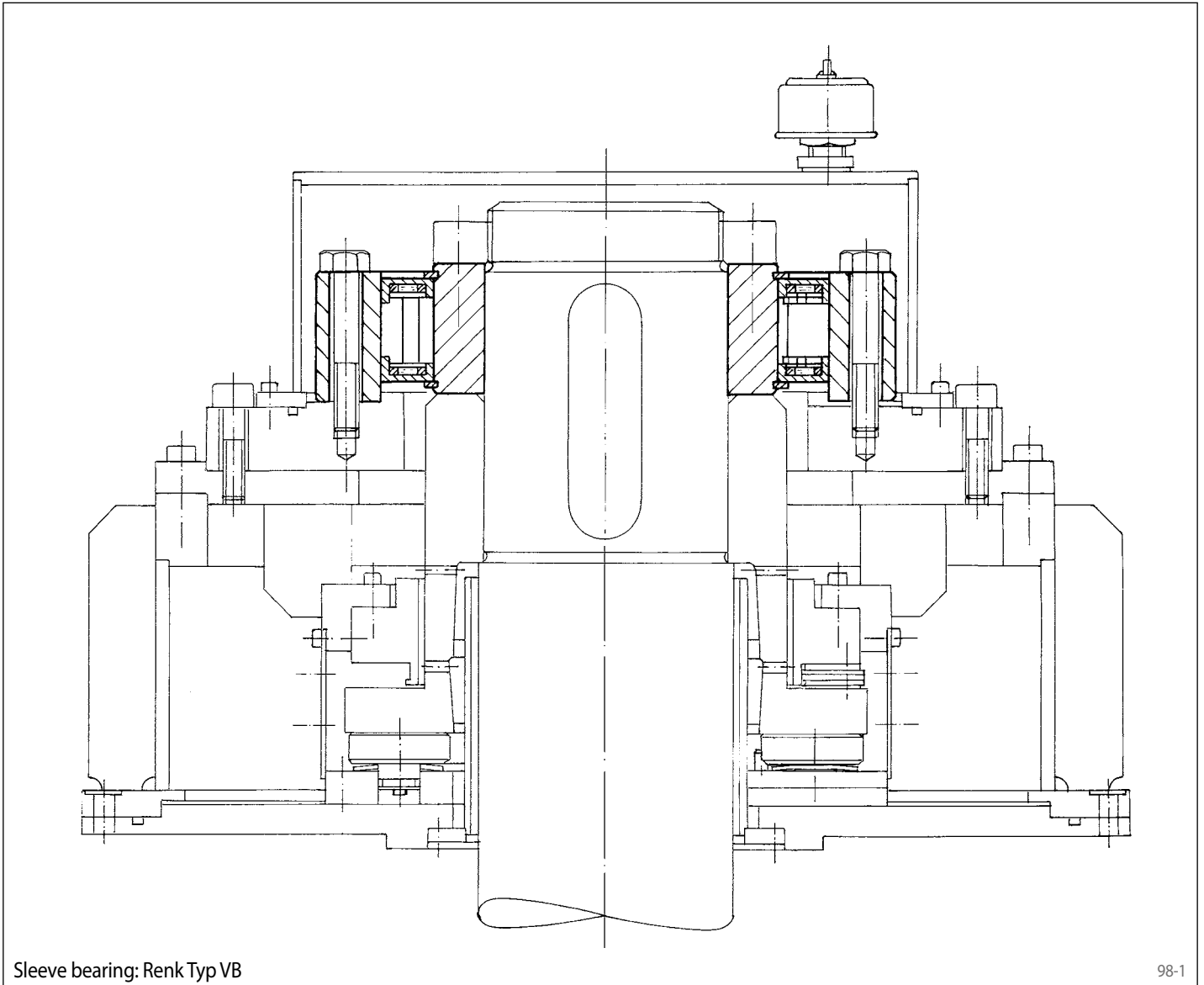
* Keyway according to DIN 6885, page 1 • Tolerance of keyway width JS10.

** Z = Number of tapped holes G on pitch circle T.

Example for ordering

Irreversible Lock IR 16 R, standard type with bore 16 mm:

- IR 16 R, d = 16 mm



Sleeve bearing: Renk Typ VB

98-1

Backstops FXM ... LX in the drive of large pumps for power stations: In order to guarantee the required operating safety, in accordance with the redundancy principle several parallel working pumps are arranged in one circuit. This also offers the possibility of adapting the feed rate to the respective requirements with the best possible use of the pump capacity.

In pumps that are shut down, the backstops have the task of preventing reverse running under the back pressure of the conveyed medium and thus of preventing the pumps to act as

turbines, while the other pumps of the pump group continue to operate. The reverse speeds and centrifugal forces that occur in such a case would destroy both the pump and the drive motor, incurring down time and considerable repair expense.

The backstop is located immediately above the sleeve bearing of the pump or, as shown in figure 98-1, above the sleeve bearing of the electric motor. Because of the function-related required sleeve bearing play and the unavoidable tolerances of neighbouring parts, the

backstop needs a considerable misalignment capability. The backstop used with the sprag lift-off X at rotating inner ring permits T.I.R. of up to 0,8 mm.

In normal operation (freewheeling operation), because of the sprag lift-off the backstop works entirely without contact. Therefore, there is no wear on the sprags, and the service life is virtually unlimited. The existing oil mist protects the backstop from corrosion.



99-1

Backstop FXM 2.410 - 100 LX for the primary cooling water pump in a nuclear power station. Maximum torque 500 000 Nm. Speed 1 485 min⁻¹. In service since 1996. Manufactured and tested with extensive documentation from RINGSPANN GmbH, Bad Homburg.

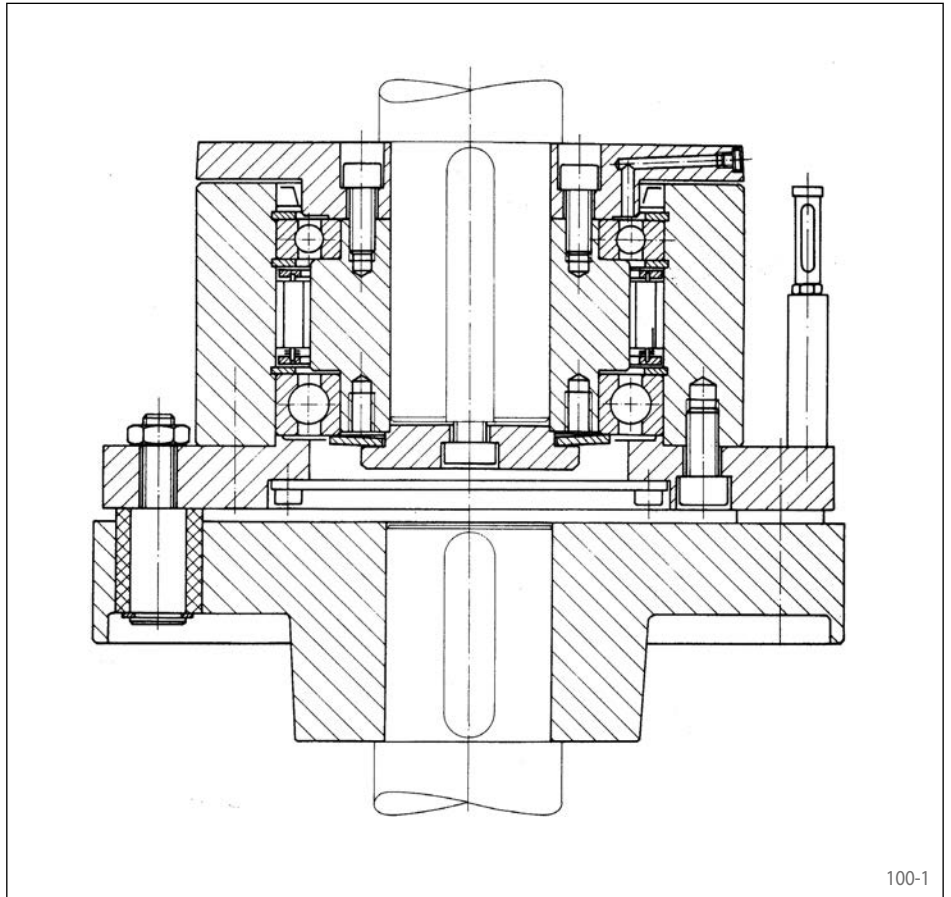


99-2

Iron ore conveyor plant in South Africa driven by three gear reducers with RINGSPANN backstops FXRW 170-63 MX.

Special overrunning clutch for vertical installation, combined with a flexible pin-type coupling. The design is used in the dual drive of air pre-heaters in coal power plants.

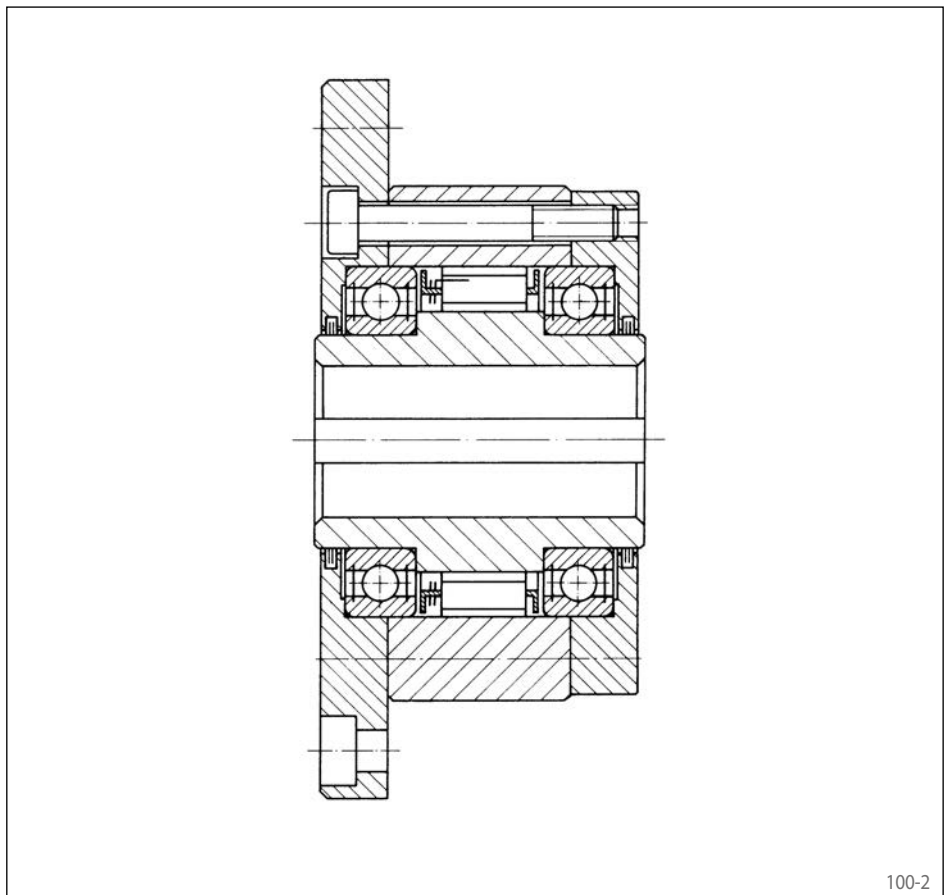
The overrunning clutch is essential for both drives so that the respective stationary drive is not back driven by the output side.



100-1

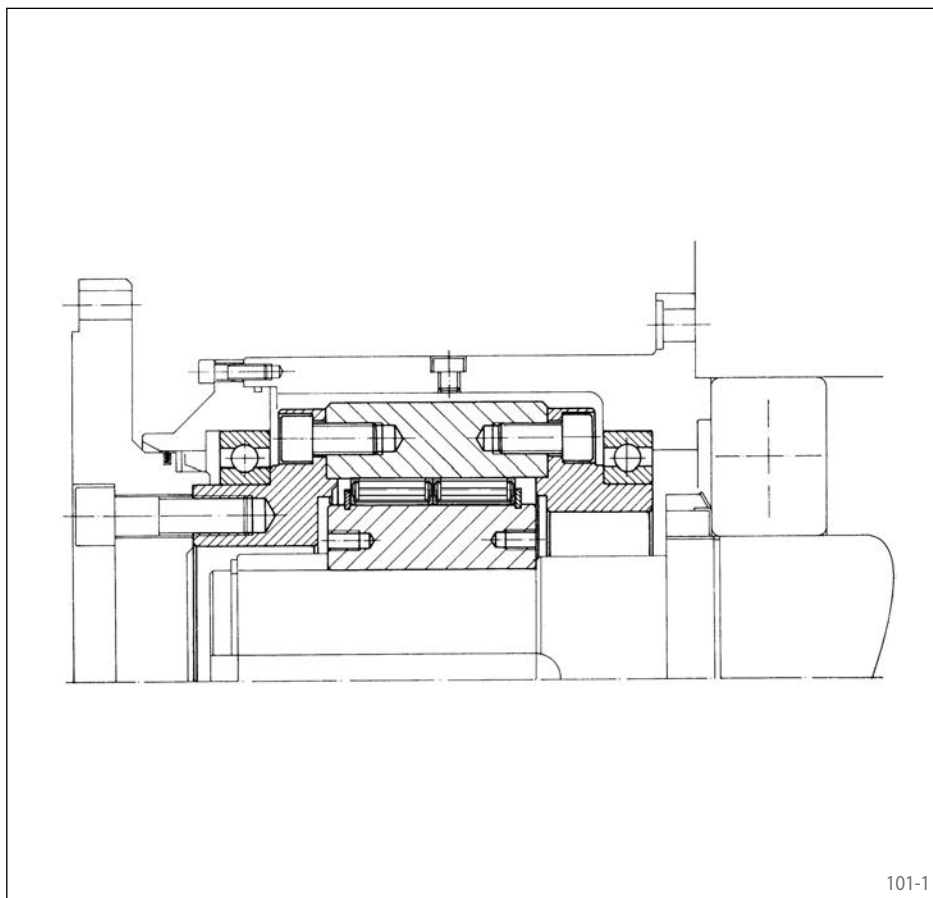
Overrunning clutch with sprag lift-off Z in special maintenance-free design. Lubrication of the sprags in the overrunning clutch is not required because of the high freewheeling speed of the outer ring. The sprags are lifted off of the stationary inner ring under the effect of the centrifugal force and thus operate without wear.

This overrunning clutch also uses life-time lubricated ball bearings and labyrinth seals; therefore, it is maintenance-free.



100-2

Overrunning clutch FXM 2.240 - 96 LX in custom-made design in the auxiliary drive of a mill. In this special bearing arrangement, the ball bearings of the overrunning clutch only rotate when the mill is driven slowly via the auxiliary drive and the locked overrunning clutch. The inner ring with the mounted freewheel cage runs at high speed, but rotates without contact because of the sprag lift-off X. Hence overheating of the bearings as well as wear on the sprags is avoided.

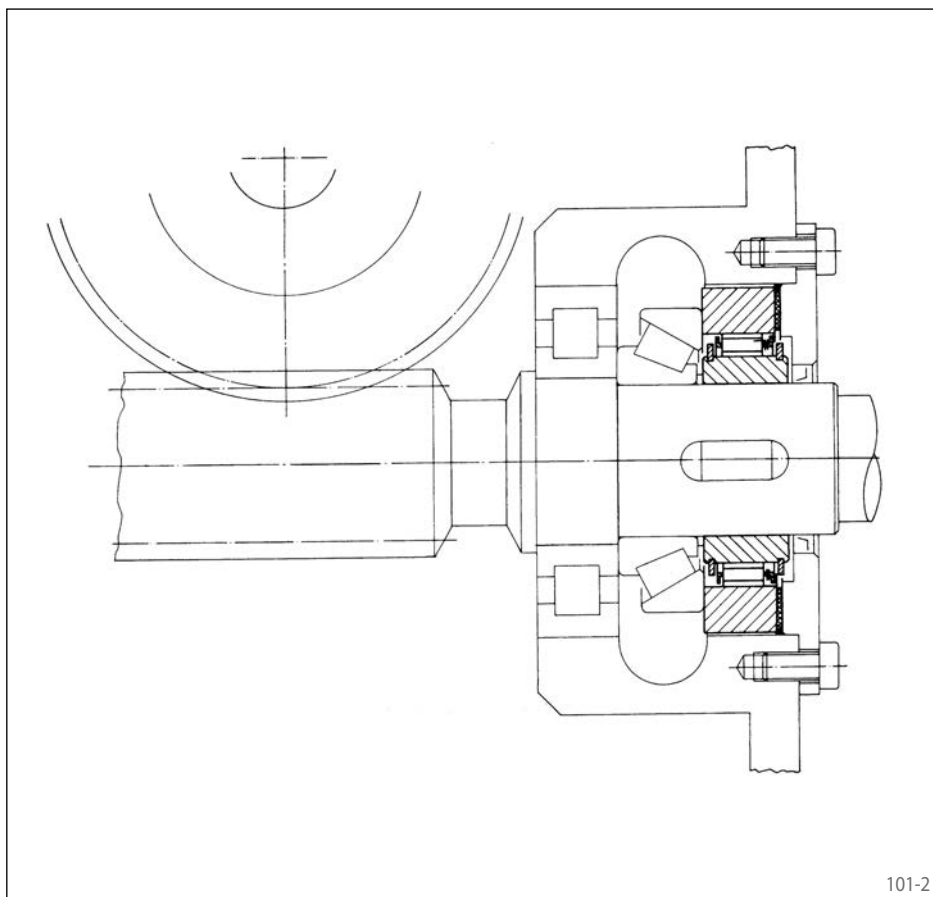


101-1

Integrated Freewheel FON 82 SFR in a special design as a load-operated brake in a non-self-locking worm gear. A load is raised or lowered via the worm wheel. The load creates an axial force and this asserts back torque on the worm shaft. A freewheel is located on the worm shaft, the outer ring of the freewheel is connected via friction lining to the gearbox housing.

When the load is lifted, the inner ring freewheels and the freewheel runs in freewheeling operation. When the machine is brought to a standstill, the sprags of the freewheel lock and the back torque of the load is passed into the gearbox housing via the friction lining. If the motor lowers the load, the freewheel is also locked and the motor overcomes the friction torque of the brake.

In this case, the bearing support for the outer ring is secured by means of a special freewheel cage. Beside sprags, this design also includes cylindrical rollers. These rollers provide the centring of the outer ring to the inner ring.



101-2

Bearing support

In the case of freewheels without bearing support, the design must ensure that the inner and outer ring are located concentric to one another with as little as possible play. The sprags do not have a centring effect of the outer ring to the inner ring. If the radial run-out exceeds the prescribed limits, the transmissible torques will be reduced which could result in failures.

In the case of freewheels with built-in ball bearings, the customer must check these

with regard to the application related loads in accordance with the calculations from the bearing manufacturer. We will gladly supply you with documents regarding the built-in bearing types and bearing distances.

The series FDN and FD in type CFR have a bearing support to absorb radial forces. A second bearing support must be provided to absorb axial and tilting forces.

Axial forces between the inner and outer rings must not be directed via the sprags or the rollers, as this could interfere with the torque transmission. Therefore, the bearing support between the inner and outer ring must be free from axial play. The best design solution are axially pre-loaded roller bearings.

Central application of force

The forces applied to the freewheel - push rod force, drive belt etc. - should act between the bearings of the freewheel. If the effective line of the lateral force acts outside of the bearing,

a rigid bearing or a pre-loaded bearing must be provided. Otherwise, the service life of the freewheel could be reduced. In the case of indexing freewheels, a central application of force is

required in order to achieve utmost indexing accuracy and highest service life.

Fastening screws for connecting parts

In many freewheels in this catalogue, the customer's connecting parts are bolted to the outer ring of the freewheel. This screw connection is not comparable to a standard screw connection, e.g. like that of a VDI 2230. The torque in the freewheel is only pulsating, i.e. the circumferential force on the screw works in just one direction. The connection between the outer ring and the connected part is not purely

by friction, because the elastic expansion of the outer ring during torque transmission causes movement between the connected parts, until the screws locate circumferentially. Therefore, the screw connections in freewheels must be calculated for shearing. It has proven that for these fastening screws, the material quality 8.8 is sufficient. Because of the higher brittleness, screws of quality 12.9 should not be used.

Tightening torques for the freewheel fastening screws should be selected as per the values listed in VDI 2230, in each case taking into account the existing friction values.

Sprag track

The inner sprag track of freewheels without an inner ring (FD series) and the inner and outer sprag track of cage freewheels manufactured by the customer. It must be hardened and machined (grinding or hard-turned). The sprag track must then have the following characteristics:

- Conicity: $\leq 5 \mu\text{m}$ per 10 mm track width
- Average peak-to-valley height Rz as per DIN 4768, page 1: $1,6 \mu\text{m} \leq Rz \leq 6,3 \mu\text{m}$
- Hardness: $62 \pm 2 \text{ HRC}$

With case hardening:

Case hardening depth Eht as per DIN 50190, page 1: 1,5 ... 2 mm, hardness limit HG = 550 HV1, core strength $\geq 1 \text{ 100 N/mm}^2$

If other hardness processes are to be applied or if you need to deviate from the specified directives, we will gladly offer assistance in working out a solution.

To facilitate mounting when sliding on the freewheel, a lead-in chamfer of, for example, $2 \times 30^\circ$, should be provided on the sprag track.

Transmissible torque

The calculation of the transmissible torque of a freewheel assumes that you know the geometrical associations between the clamping elements and the freewheel rings.

In the case of a sprag freewheel with cylindrical inner and outer ring races, the formula for the inner clamping angle (refer to figure 103-1) is:

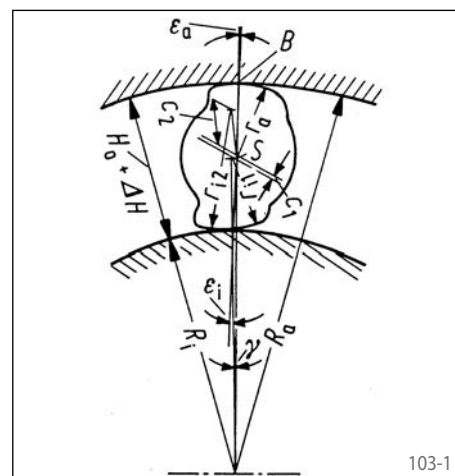
$$\tan \varepsilon_i = \frac{Ra}{Ra-Ri} \sqrt{\frac{c^2 - (Ri+ri-Ra+ra)^2}{(Ri+ri)(Ra-ra)}}$$

When calculating the transmissible torque you must also take into consideration the elastic deformations of the freewheel rings. These deformations are created by the large radial forces which the sprags exert on the rings during the locking process. For this purpose, differential equations must be solved that describe

the interplay between stresses and deformations in the rings. The Hertzian surface pressure distribution on the contact points between the sprags and the tracks is represented by Fourier's series and inserted as boundary conditions in differential equations. In an iterative process, with continuously increasing forces, geometrical values, deformations and stresses are calculated and compared with the permissible limit values. The following limits must be observed:

- Hertzian pressure on the contact points
- Limit of clamping angle
- Tangential stresses in the rings
- Limit of sprag positional angle

In this calculation the influence of eccentric tracks is also taken into consideration. In addition, the calculation provides the torsion spring

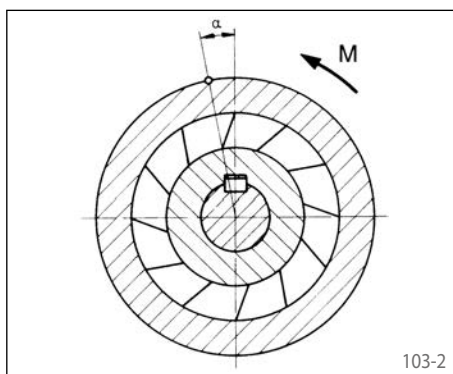


103-1

characteristic curve of the freewheel (refer to figure 103-3), which is particularly required for dynamic calculations of an entire installation.

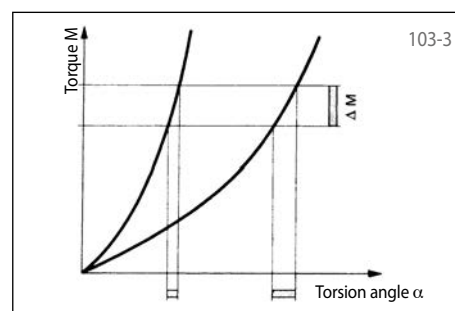
Torsion spring characteristic curve

For many applications, in addition to the torque transmission, the elastic behaviour of the freewheel in a locked state (driving operation) plays a decisive role. As figure 103-2 shows, the outer ring and the inner ring twist (wind-up) against each other during torque transmission. The higher the transmitted torque M the more they twist. The numerical relation between the torque M and the elastic torsional angle is represented in the torsion spring characteristic curve of the freewheel. The calculation of the torsion spring characteristic curve is also carried out using the geometrical values and the deformation equations. Figure 103-3 shows how important the torsion spring characteristic curve is, for example, in the application as indexing freewheel. Here, the



103-2

torsion spring characteristic curves are shown for a "soft" freewheel (flat characteristic curve) and a "stiff" freewheel (steep characteristic curve). If the driving torque M fluctuates, for example, around



103-3

the value Δ M, the effect on the torsion angle α of the freewheel with a flat characteristic curve is much greater than that of a freewheel with a steep characteristic curve. In indexed feed drives therefore, you always select freewheels with the steepest possible characteristic curve.

Actuation frequencies and actuation service life of indexing freewheels

In the case of indexing freewheels, the maximum actuation frequency and the service life depending on the actuation frequency are important selection characteristic values.

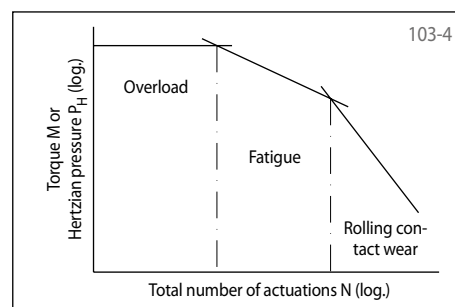
Maximum actuation frequency:

You cannot give a definite maximum permissible actuation frequency for any given freewheel, as many different influences of the entire machine construction can affect the freewheel. Of particular importance are: Type of machine, size and time course of the actuation torque and the index angle, required indexing accuracy, type of indexing freewheel, type of lubrication, drive of freewheel via inner or outer ring. This partial list shows that you cannot make a general statement regarding the maximum actuation frequency of a given catalogue freewheel. From successful applications with catalogue freewheels maximum actuation frequencies of up

to 800 actuations per minute have been realized.

Actuation service life:

In the case of the actuation service life, it behaves similarly to that of the maximum actuation frequency as the influences on the freewheel are actually the same. It is not possible to calculate an exact number of actuations for any catalogue freewheel. Extensive research of the FVA (German Power Transmission Research Association) have come up with some associations. Of course, the test bench conditions are much idealised and cannot be freely transferred to the practical application conditions of indexing freewheels. In accordance with the research results, the total number of actuations of indexing freewheels is particularly dependent upon the torque and the resulting Hertzian pressure on the clamping points. Figure 103-4 shows that we can differentiate between three areas: Over-



103-4

load, fatigue and rolling contact wear. Indexing freewheels must therefore be designed in such a way that they work in the area of rolling contact wear. This way, the total number of actuations can be in excess of 1×10^8 . With an actuation frequency of 100 actuations/minute, this corresponds to a service life of approximately 16 666 hours.

Maximum speeds and service life of backstops and overrunning clutches

The maximum permissible speed of freewheels that are used as backstops or overrunning clutches is primarily dependent upon the

- required service life in freewheeling operation,
- lubrication and heat dissipation as well as
- the category of the freewheel.

Dependency of the maximum speed on the required freewheel duration of use

In the case of freewheels with sprags or rollers, wear will occur in the same way as it does with any other sliding machine parts. This wear increases as the relative speed of the sliding parts increases. RINGSPANN has developed different types which can reduce or even reverse these effect. The qualitative course of the service life in freewheeling operation of backstops and overrunning clutches in the various types is shown in figure 104-1. Refer to pages 12 and 13 for more detailed explanations on the types. The maximum speeds given in the tables here (apart from the types with sprag lift-off X and Z as well as with hydrodynamic sprag lift-off) must always be considered in connection with the minimum required service life in freewheeling operation!

Information regarding the service life in freewheeling operation can be obtained upon request. Simply let us know the operating conditions.

The maximum speeds specified in the tables here apply for an ambient temperature of 20 °C. Other maximum speeds will apply for other ambient temperatures or special freewheel designs.

It is generally possible, by means of constructive measures that deviate from the standard design, to achieve even higher speeds. Please contact us if this is the case, preferably using the questionnaire on page 106 or 107.

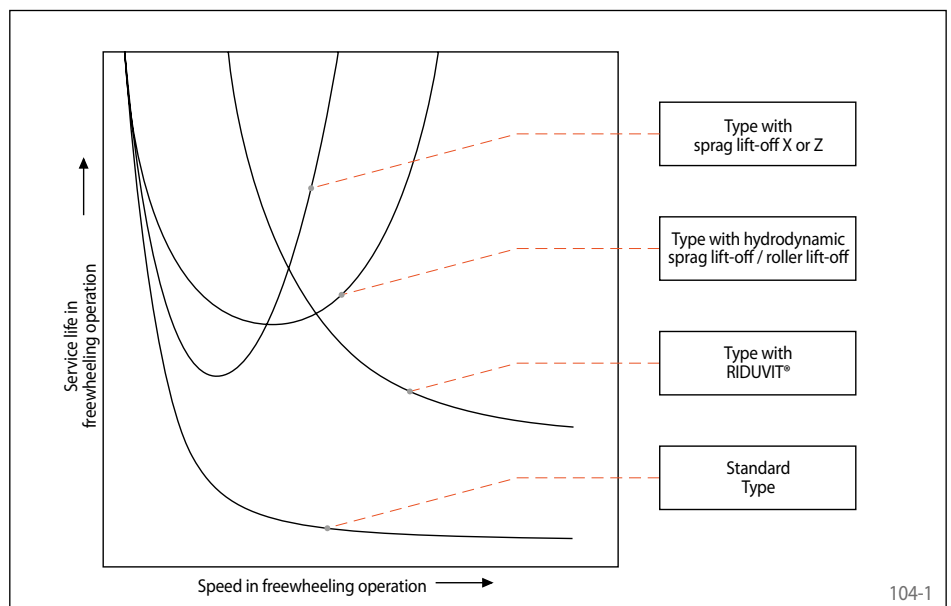
Dependency of the maximum speed on the lubrication and heat dissipation

With regard to the lubrication and heat dissipation you must consider two key speed limits:

- Limit of maximum permissible operating temperature as well as the
- limit of lubricant life.

Maximum permissible operating temperature:

The maximum permissible speed of a freewheel in freewheeling operation is, among others, reached if the maximum permissible operating temperature of the freewheel has



been reached. Freewheels are lubricated with either oil or grease, in order to minimise the friction between the sliding parts in freewheeling operation. The lubrication also has the function of removing any occurring frictional heat and abrasive wear from the contact points. In principle, it is best to provide oil lubrication as this best facilitates the tasks described above.

In the case of Complete Freewheels and Internal Freewheels of series FZ ..., which form a unit made up of clamping elements, bearing support, seals and lubrication, there are predominantly four sources of heat that have a restrictive effect on the maximum permissible speed of the freewheel:

- Frictional heat of the seals
- Frictional heat of the lubricant
- Frictional heat of the clamping elements
- Frictional heat of the bearings

The major part of the frictional heat is dissipated into the environment. The ambient conditions (ambient temperature, air speed etc.) therefore also have an influence on the operating temperature. Hence, the ambient conditions also have a speed-restricting effect on Complete Freewheels and Internal Freewheels of series FZ ...

Lubricant life:

The lubricant ages because of the mechanical demands made upon it and after a certain period of use is no longer sufficiently capable of ensuring the function of reducing friction and protecting against wear. The speed of aging depends, among others, on the speed in freewheeling operation. In the event that the lubri-

cant cannot be replaced, the lubricant life must be taken into consideration when establishing the maximum speed. Contact us for information in this regard.

Dependency of the maximum speed on the category of the freewheel

All the components of a freewheel are stressed during rotation because of the centrifugal forces. The maximum permissible component stress must be taken into consideration when establishing the permissible speeds. Furthermore, the service life of the bearings must be considered. The bearing manufacturer's directives must be adhered to. For economic reasons, the standard freewheel is designed for a maximum speed that generally suits most applications. Higher speeds can be achieved by means of special construction measures.

The maximum speeds specified in this catalogue for Integrated Freewheels FON apply for installation conditions as given with Complete Freewheels. Knowing the actual installation conditions higher speeds can be permitted under some circumstances. Please contact us if this is the case, preferably using the questionnaire on page 106 and 107.

Lubrication

For each series the standard lubrication (oil or grease lubrication) is specified on the respective catalogue pages. If a different design is required, please contact us.

The lubricants recommended in the table below for the various ambient temperature ranges have been predominantly chosen for the functioning capabilities of the sprags or the rollers when starting the machine or installation. If, after starting, the freewheel is in operation for a considerable period of time, then an operating temperature will arise in the freewheel that is generally higher than the ambient temperature. For this operating temperature you must check, if the lubrication capabilities of the oil or the basic oil contained in the grease is sufficient for any roller bearings that are built into the freewheel. In critical cases, it has proven useful to use the highly aging-resistant synthetic oil MOBIL SHC 626.

Oil lubrication

The lubrication should be carried out with a non-resinous oil with a kinematic viscosity in accordance with the lubricant table below.

For Complete Freewheels and Housing Freewheels with standard oil lubrication, the oil quantity can be established from the installation and operating instruction manuals.

Integrated Freewheels FXM as well as Internal Freewheels FXN can run with immersion lubrication, circulating lubrication or – in the case of operation above the sprag lift-off speed – without oil lubrication. With these series it is also permissible to use oils and greases with friction-value-reducing additives (molybdenum disulphide). If operating without oil lubrication, the sprags and the outer track must be greased prior to installation with a suitable viscous grease in accordance with the installation and operating instruction manual.

In the case of designs with Basic Freewheels, Integrated Freewheels FON and Internal Freewheels with oil lubrication, ensure that the inner track is immersed in the oil.

If an immersion lubrication is not possible, an oil circulating lubrication must be provided, which will then ensures a constant oil film on the inner track.

Grease lubrication

The freewheels FA, FAV and FZ ... have a grease lubrication that is designed to last for the service life. It is maintenance-free and generally requires no subsequent lubrication.

In order to increase the service life of freewheels with grease lubrication, after an operating time of about two years the freewheels should be disassembled, cleaned, checked and regreased. Refer to the lubrication table for recommended greases.

Attention

Oils and greases that contain friction-reducing additives like molybdenum disulphide or the like, may only be used with authorisation of RINGSPANN. Exception: Integrated Freewheels FXM as well as Internal Freewheels FXN.

Lubrication table

Manufacturer	Oil			Grease
	For ambient temperatures from 0 °C to +50 °C Kinematic viscosity at 40 °C, ISO-VG 46/68 [mm ² /s]	For ambient temperatures from -15 °C to +15 °C Kinematic viscosity at 40 °C, ISO-VG 32 [mm ² /s]	For ambient temperatures from -40 °C to 0 °C Kinematic viscosity at 40 °C, ISO-VG 10 [mm ² /s]	For ambient temperatures from -15 °C to +50 °C
Agip	OSO 46/68	OSO 32	OSO 10	
ARAL	VITAM GF 46/68	VITAM GF 32	VITAM GF 10	ARALUB HL2
BP	ENERGOL HLP-HM 46/68	ENERGOL HLP-HM 32	ENERGOL HLP-HM 10	ENERGREASE LS2
CASTROL	VARIO HDX	VARIO HDX	ALPHASYN T 10	Spheerol AP 2 Optitemp LG 2 Tribol GR TT 1 PD
CHEVRON	HYDRAULIC OIL AW 46/68	HYDRAULIC OIL AW 32	RANDO HD 10	
KLÜBER	LAMORA HLP 46/68	LAMORA HLP 32	Klüberoil 4 UH1-15	ISOFLEX LDS 18 Spezial A POLYLUB WH 2 Klübersynth BM 44-42
MOBIL	DTE 25/26 NUTO H 46/68	DTE 24 NUTO H 32	DTE 10 Excel 15 UNIVIS HVI 13	MOBILUX EP 2
SHELL	TELLUS 46/68	TELLUS 32	TELLUST 15	ALVANIA RL2
TOTAL	AZOLLA ZS 46/68	AZOLLA ZS 32	EQUIVIS XLT 15	MULTIS EP 2
other manufacturers	Gearbox or hydraulic oils without solid lubricants ISO-VG 46/68	Gearbox or hydraulic oils without solid lubricants ISO-VG 32; Automatic transmission fluids [ATF]	Gearbox or hydraulic oils without solid lubricants ISO-VG 10; note setting point! Aviation hydraulic oils ISO-VG 10	

Please contact us in the case of temperatures in excess of 50 °C and below -40 °C.

Questionnaire for selecting RINGSPANN Backstops

Please photocopy or use the technical query from our website (www.ringspann.com)!

Company:	Phone:
Name:	E-Mail:
	Date:

1. Where will the Backstop be used?

<p>1.1 Type of machine: _____</p> <p>In the case of conveyor belts: Angle of the steepest segment _____ ° Multiple-drive? <input type="checkbox"/> Yes <input type="checkbox"/> No If yes, number of drives _____</p> <p>1.2 Backstop location: <input type="checkbox"/> on the gearbox <input type="checkbox"/> on the motor <input type="checkbox"/> elsewhere: _____</p>	<p>1.3 Arrangement: <input type="checkbox"/> on the shaft end Diameter: _____ mm Length: _____ mm <input type="checkbox"/> on a through shaft Diameter: _____ mm <input type="checkbox"/> on a pulley <input type="checkbox"/> on a sprocket <input type="checkbox"/> elsewhere: _____</p>	<p>1.4 If possible, please include specification, data sheet, sketch or drawing with connection dimensions. _____ _____ _____ _____ _____</p>
---	--	---

2. Operating data

<p>2.1 Speed at the backstop location (backstop shaft) $n_{sp} =$ _____ min^{-1} Would it be possible to arrange the backstop on a high speed shaft? (Higher speed = lower torque = smaller backstop) If necessary please give further details on the drawing.</p>	<p>2.2 Nominal power of motor $P_0 =$ _____ kW</p> <p>2.3 Must the backstop also absorb the peak torque that occurs if the drive motor is started in the locking direction of the backstop (incorrectly poled drive motor)? If yes, the backstop must be substantially oversized. <input type="checkbox"/> Yes <input type="checkbox"/> No</p>	<p>2.4 Maximum backdriving torque $M_{max} =$ _____ Nm</p> <p>2.5 Lifting capacity of the conveyor system $P_L =$ _____ kW</p> <p>2.6 Efficiency of the machine between backstop and drive $\eta =$ _____</p> <p>2.7 Number of daily locking processes: _____</p> <p>2.8 Daily operating time: _____ hours</p>
---	---	---

3. Installation conditions

<p>3.1 <input type="checkbox"/> Open, outside <input type="checkbox"/> Open, in a closed room <input type="checkbox"/> In the machine housing <input type="checkbox"/> Lubrication by means of oil bath or oil mist in the machine housing <input type="checkbox"/> Connection to the central lubrication system is possible Name of lubricant: _____ Kinematic viscosity: _____ mm^2/s _____ °C</p>	<p>3.2 Should the backstop be releasable? <input type="checkbox"/> No <input type="checkbox"/> Yes, in an emergency <input type="checkbox"/> Yes, frequently</p> <p>3.3 Ambient temperature on the backstop: from _____ °C to _____ °C</p> <p>3.4 Other (e.g. accessibility, dust susceptibility and other environmental influences that could be of significance): _____ _____ _____</p>	<p>3.5 Are there any elastic elements/components located between the backstop and the installation that is to be backstopped (elastic couplings generate considerable peak torques at the moment of stopping)? <input type="checkbox"/> Yes <input type="checkbox"/> No</p>
---	---	---

4. Estimated requirements

_____ Pieces (one-off) _____ Pieces/month _____ Pieces/year

5. Enclosures

Specifications Data sheet Sketch/drawing

Questionnaire for selecting RINGSPANN Overrunning Clutches

Please photocopy or use the technical query from our website (www.ringspann.com)!

Company:	Phone:
Name:	E-Mail:
	Date:

1. Where will the Overrunning Clutch be used?

<p>1.1 Type of machine, machine group or installation, in which the overrunning clutch will be used:</p> <p>_____</p> <p>_____</p> <p>_____</p> <p>_____</p>	<p>1.2 Arrangement of the overrunning clutch (if possible, please include specification, data sheet, sketch or drawing with connection dimensions).</p> <p>_____</p> <p>_____</p> <p>_____</p>
--	--

2. Operating data

<p>2.1 In driving operation the drive of the overrunning clutch will be carried out by:</p> <p><input type="checkbox"/> Asynchronous motor</p> <p style="margin-left: 20px;"><input type="checkbox"/> direct start-up</p> <p style="margin-left: 20px;"><input type="checkbox"/> λ-Δ-start-up</p> <p><input type="checkbox"/> Other electric motor</p> <p style="margin-left: 20px;">Type: _____</p> <p><input type="checkbox"/> Combustion engine</p> <p style="margin-left: 20px;">Type: _____</p> <p style="margin-left: 20px;">Number of cylinders: _____</p> <p><input type="checkbox"/> Turbine</p> <p><input type="checkbox"/> Other (please explain in more detail):</p> <p>_____</p> <p>_____</p> <p>2.2 To be transmitted in driving operation:</p> <p>Power: _____ kW or</p> <p>Torque: _____ Nm</p>	<p>2.3 Maximum torque _____ Nm (Important for drives that develop their maximum torque below their nominal speed.)</p> <p>2.4 Speed</p> <p>1. in driving operation: from _____ min⁻¹ to _____ min⁻¹</p> <p>2. in freewheeling operation: (when overrunning clutch is disengaged)</p> <p style="margin-left: 20px;">Primary part (driver) from _____ min⁻¹ to _____ min⁻¹</p> <p style="margin-left: 20px;">Secondary part (driven machine) from _____ min⁻¹ to _____ min⁻¹</p> <p>2.5 Should the overrunning clutch be combined with a shaft coupling?</p> <p><input type="checkbox"/> with an elastic coupling</p> <p><input type="checkbox"/> with a torsionally stiff coupling</p> <p><input type="checkbox"/> _____</p>	<p>2.6 If, upon start up, larger masses are to be accelerated:</p> <p>Moment of inertia: $J =$ _____ kgm²</p> <p>Speed of mass: $n =$ _____ min⁻¹</p> <p>2.7 Torque fluctuations/torsional vibrations during driving operation generate the following torque limits</p> <p><input type="checkbox"/> Minimum torque $M_{min} =$ _____ Nm</p> <p><input type="checkbox"/> Maximum torque $M_{max} =$ _____ Nm</p> <p><input type="checkbox"/> Minimum or Maximum torque is not known</p> <p>2.8 Daily operating time: _____ hours (h) thereof _____ (h) driving operation thereof _____ (h) freewheeling operation</p>
--	---	--

3. Installation conditions

<p>3.1 <input type="checkbox"/> Open, outside</p> <p><input type="checkbox"/> Open, in a closed room</p> <p><input type="checkbox"/> in the machine housing</p> <p style="margin-left: 20px;"><input type="checkbox"/> Lubrication by means of oil bath or oil mist in the machine housing</p> <p style="margin-left: 20px;"><input type="checkbox"/> Connection to the central lubrication system is possible</p>	<p>Name of lubricant: _____</p> <p>Kinematic viscosity _____ mm²/s _____ °C</p> <p>3.2 Ambient temperature on the freewheel: from _____ °C to _____ °C</p>	<p>3.3 Other (e.g. accessibility, dust susceptibility and other environmental influences that could be of significance):</p> <p>_____</p> <p>_____</p> <p>_____</p>
--	---	---

4. Estimated requirements

_____ Pieces (one-off) _____ Pieces/month _____ Pieces/year

5. Enclosures

Specifications Data sheet Sketch/drawing

Questionnaire for selecting RINGSPANN Indexing Freewheels

Please photocopy or use the technical query from our website (www.ringspann.com)!

Company:	Phone:
Name:	E-Mail:
	Date:

1. Where will the Indexing Freewheel be used?

<p>1.1 Type of machine, machine group or installation, in which the indexing freewheel will be used:</p> <p>_____</p> <p>_____</p> <p>_____</p> <p>_____</p>	<p>1.2 Arrangement of the indexing freewheel (if possible, please include specification, data sheet, sketch or drawing with connection dimensions).</p> <p>_____</p> <p>_____</p> <p>_____</p>
--	--

2. Operating data

<p>2.1 Index angle of the indexing freewheel: from _____° to _____°</p> <p>2.2 Number of actuations (indexes) per minute: from _____/min to _____/min</p> <p>2.3 The back and forth movement is made by</p> <p><input type="checkbox"/> freewheel outer ring</p> <p><input type="checkbox"/> freewheel inner ring</p> <p><input type="checkbox"/> _____</p>	<p>2.4 The back and forth movement is generated by</p> <p><input type="checkbox"/> bell crank</p> <p><input type="checkbox"/> hydraulic cylinder</p> <p><input type="checkbox"/> pneumatic cylinder</p> <p><input type="checkbox"/> cam disk or plate</p> <p><input type="checkbox"/> other (please explain in more detail):</p> <p>_____</p> <p>_____</p> <p>_____</p>	<p>2.5 Proposed shaft dimensions:</p> <p>Diameter _____ mm</p> <p>Length _____ mm</p> <p>2.6 Normal torque: M = _____ mm</p> <p>Maximum torque: M_{max} = _____ mm (including peaks)</p> <p>2.7 Daily operating time: _____ hours</p>
---	---	---

3. Installation conditions

<p>3.1 <input type="checkbox"/> Open, outside</p> <p><input type="checkbox"/> Open, in a closed room</p> <p><input type="checkbox"/> In the machine housing</p> <p><input type="checkbox"/> Lubrication by means of oil bath or oil mist in the machine housing</p> <p><input type="checkbox"/> Connection to the central lubrication system is possible</p> <p>Name of lubricant: _____</p> <p>Kinematic viscosity: _____ mm²/s _____ °C</p>	<p>3.2 Ambient temperature on freewheel: from _____ °C to _____ °C</p> <p>3.3 Other (e.g. accessibility, dust susceptibility and other environmental influences that could be of significance):</p> <p>_____</p> <p>_____</p> <p>_____</p>
--	--

4. Estimated requirement

_____ Pieces (one-off) _____ Pieces/month _____ Pieces/year

5. Enclosures

Specifications Data sheet Sketch/drawing

Questionnaire for selecting RINGSPANN Housing Freewheels FH

Please photocopy or use the technical query from our website (www.ringspann.com)!

Company: Phone:
 Name: E-Mail:
 Date:

1. Where will the Housing Freewheels be used?

1.1 Type of installation:
 1.2 Type of working machine:



2. Operating data

2.1 In driving operation the drive will be carried out by

Housing Freewheel A

- Asynchronous motor
 - direct start-up λ-Δ-start-up
- Other electric motor
Type:
- Combustion engine
Type: No. of cylinders:
- Turbine
- Other (please explain in more detail):
.....

Housing Freewheel B

- Asynchronous motor
 - direct start-up λ-Δ-start-up
- Other electric motor
Type:
- Combustion engine
Type: No. of cylinders:
- Turbine
- Other (please explain in more detail):
.....

2.2 Speeds in driving operation	from _____ min ⁻¹ to _____ min ⁻¹	from _____ min ⁻¹ to _____ min ⁻¹
Speeds in freewheeling operation	from _____ min ⁻¹ to _____ min ⁻¹	from _____ min ⁻¹ to _____ min ⁻¹
2.3 Direction of rotation in driving operation when viewed in direction X	<input type="checkbox"/> Counterclockwise <input type="checkbox"/> Clockwise	<input type="checkbox"/> Counterclockwise <input type="checkbox"/> Clockwise
2.4 To be transmitted in driving operation	Power: _____ kW Torque: _____ Nm	Power: _____ kW Torque: _____ Nm
2.5 Maximum torque determined by rotational vibration calculation	_____ Nm	_____ Nm
2.6 Should the Housing Freewheel be combined with shaft coupling?	<input type="checkbox"/> With elastic coupling Type:	<input type="checkbox"/> With elastic coupling Type:
	<input type="checkbox"/> With torsionally stiff coupling Type:	<input type="checkbox"/> With torsionally stiff coupling Type:
2.7 Selected Housing Freewheel	Size _____	Size _____
2.8 Daily operating time	_____ hours (h) thereof _____ (h) driving operation thereof _____ (h) freewheeling operation	thereof _____ (h) driving operation thereof _____ (h) freewheeling operation

3. Installation conditions

3.1 Ambient temperature on the freewheel: from _____ °C to _____ °C

3.2 Other (e.g. accessibility, dust susceptibility and other environmental influences that could be of significance):

4. Estimated requirements

_____ Pieces (one-off) _____ Pieces/month _____ Pieces/year

5. Enclosures

Specifications Data sheet Sketch/drawing

Germany

RINGSPANN GmbH

Schaberweg 30-38, 61348 Bad Homburg
Germany • +49 6172 275 0
info@ringspann.de • www.ringspann.de

RINGSPANN RCS GmbH

Hans-Mess-Straße 7, 61440 Oberursel, Germany
+49 6172 67 68 50
info@ringspann-rcs.de • www.ringspann-rcs.de

Bosnia and Herzegovina, Serbia,
Croatia, Montenegro, Kosovo,
North Macedonia, Albania

RINGSPANN Bosanska Krupa d.o.o.

Radnicka bb, 77240 Bosanska Krupa, Bosnia and
Herzegovina • +387 37 961 444
info@ringspann.ba • www.ringspann.ba

France

RINGSPANN France S.A.

23 rue Saint-Simon, 69009 Lyon, France
+33 4 78 83 59 01
info@ringspann.fr • www.ringspann.fr

Great Britain, Ireland

RINGSPANN (U.K.) LTD.

3, Napier Road, Bedford MK41 0QS, Great Britain
+44 1234 34 25 11
info@ringspann.co.uk • www.ringspann.co.uk

Italy

RINGSPANN Italia S.r.l.

Via A.D. Sacharov, 13, 20812 Limbiate (MB), Italy
+39 02 93 57 12 97
info@ringspann.it • www.ringspann.it

Netherlands, Belgium, Luxembourg

RINGSPANN Benelux B.V.

Nieuwenkampsmaten 6-15, 7472 DE Goor,
Netherlands • +31 547 26 13 55
info@ringspann.nl • www.ringspann.nl

Austria, Czech Republic,
Hungary, Slovakia, Slovenia

RINGSPANN Austria GmbH

Triesterstraße 21, 2620 Neunkirchen, Austria
+43 2635 62446
info@ringspann.at • www.ringspann.at

Poland

Radius-Radpol Wiecheć Sp.J.
Ul. Pasjonatów 3, 62-070 Dąbrowa, Poland
+48 61 814 39 28 • info@radius-radpol.com.pl
www.radius-radpol.com.pl

Romania, Bulgaria, Moldova

S.C. Industrial Seals and Rolls S.R.L.
Str. Depozitelor, No. 29, 110078 Pitesti, Romania
+4 0751 22 82 28
mihai@isar.com.ro • www.isar.com.ro

Sweden, Finland, Denmark,
Norway, Baltic states

RINGSPANN Nordic AB

Flottiljgatan 69, 721 31 Västerås, Sweden
+46 156 190 98
info@ringspann.se • www.ringspann.se

Switzerland

RINGSPANN AG

Sumpfstrasse 7, P.O. Box, 6303 Zug,
Switzerland • +41 41 748 0900
info@ringspann.ch • www.ringspann.ch

Spain, Portugal

RINGSPANN IBERICA S.A.

C/Uzbina, 24-Nave E1, 01015 Vitoria, Spain
+34 945 2277-50
info@ringspann.es • www.ringspann.es

Turkey, Azerbaijan, Kazakhstan,
Kyrgyzstan, Tajikistan, Turkmenistan,
Uzbekistan

RINGSPANN Turkey Güç Aktarım Sistemleri Ticaret Limited irketi

Fatih Sultan Mehmet Mah, Poligon Cad. Buyaka 2
Sitesi 3 Blok No: 8 İç Kapı No: 1, 34771 Ümraniye /
Istanbul, Turkey • +90 532 165 7760
info@ringspann.tr • www.ringspann.tr

Ukraine

"START-UP" LLC.
Saltivske Hwy, 43, letter G-3, office 101,
Kharkiv 61038, Ukraine • +38 057 717 03 04
start-up@start-up.kh.ua • www.start-up.kh.ua

Asia

Australia, New Zealand

RINGSPANN Australia Pty Ltd

10 Network Drive, Carrum Downs Vic 3201,
Australia • +61 3 9069 0566
info@ringspann.com.au • www.ringspann.com.au

China, Taiwan

RINGSPANN Power Transmission (Tianjin) Co., Ltd.

No. 21 Gaoyan Rd., Binhai Science and Technology
Park, Binhai Hi-Tech Industrial, Development Area,
Tianjin, 300458, P.R. China • +86 22 59803160
info.cn@ringspann.cn • www.ringspann.cn

India, Bangladesh, Nepal

RINGSPANN Power Transmission India Pvt. Ltd.

GAT No: 679/2/1, Village Kuruli, Taluka Khed, Chakan-
Alandi Road, Pune - 410501, Maharashtra, India
+91 21 35 67 75 00 • info@ringspann-india.com
www.ringspann-india.com

Singapore, ASEAN

RINGSPANN Singapore Pte. Ltd.

143 Cecil Street, #17-03 GB Building,
Singapore 069542 • +6012 589 8975
info@ringspann.sg • www.ringspann.sg

South Korea

RINGSPANN Korea Ltd.

33 Gojae-17 Ghil Dongnam-gu, 31187 Cheonan-si
Chungnam, South Korea • + 82 10 54961 368
info@ringspann.kr • www.ringspann.kr

America

Brazil

RINGSPANN do Brasil Ltda.

Rua Vereador Oclésio Antonio Rebutini, 480
CEP 13.287-012, Vinhedo/SP, Brazil
+55 97503 9323
info@ringspann.com.br • www.ringspann.com.br

Chile, Peru, Colombia, Ecuador

RINGSPANN Sudamérica SpA

Miraflores 222, Piso 28-N, Santiago,
Región Metropolitana, Chile • +56 9 9147 2833
info@ringspannsudamerica.com
www.ringspannsudamerica.com

USA, Canada, Mexico

RINGSPANN Corporation

10550 Anderson Place, Franklin Park, IL 60131, USA
+1 847 678 35 81
info@ringspann.us
www.ringspanncorp.com

Africa and Middle East

Egypt

Shofree Trading Co.
218 Emtedad Ramsis 2, 2775 Nasr City, Cairo, Egypt
+20 2 2081 2057
info@shofree.com • www.ringspann.com

Maghreb, West Africa

RINGSPANN France S.A.

23 rue Saint-Simon, 69009 Lyon, France
+33 4 78 83 59 01
info@ringspann.fr • www.ringspann.fr

Israel

Getter Group GG Yarom
4 Boltimor St., Petah Tikva, 4951015, Israel
+972 3 557 01 15
noam_a@gg.co.il • www.ringspann.com

South Africa, Sub-Saharan

RINGSPANN South Africa (Pty) Ltd.

96 Plane Road Spartan, Kempton Park,
P.O. Box 8111 Edenglen 1613, South Africa
+27 11 394 1830
info@ringspann.co.za • www.ringspann.co.za